

MANUALTRAK™

INSTALLATION INSTRUCTIONS

STEP I: PRE-INSTALLATION INSTRUCTIONS

A. Check the Component List. Make sure that all components are present and undamaged.

NOTE: If you followed the instructions provided in the Packing List, prior to accepting the shipment from the freight carrier, you have already checked the merchandise carefully for damage.

COMPONENT LIST:

Track Assembly	2 to 4 sections (under 22' length = 2 sections; over 22' = 4 sections) 2 end caps, 2 nylon track guides, 2 track splices
Drive mechanism Assembly	1 four-inch-diameter aluminum roller, 1 Rocky Roller mechanism
Leading Edge Bar Assembly	1 aluminum leading edge bar, 1 pre-attached rope harness
Wheel Assemblies	2
Installation Kit	50 track screws, 50 red plastic anchors, 35 #10 x ½ screws, 9 unit anchors with plugs
Tether Assembly	1 75' length of braided rope, 2 clasps, 2 handles
Water Pump Assembly	1 pump, 1 pump base plate
Cover fabric	1
Lifelock™ Anchor kit	1
Owners Instructions	1 Manualtrak Operating Manual, 1 Totally-Auto Owners Manual

B. Locate the enclosed copy of your original Order Form and make note of the **exact** Track Space (width across the pool from track to track) and Track Length (overall length of track) that was used to determine the sizing requirements for your custom-manufactured system. *These two measurements are **critical** to the installation process. Under no circumstances, should these dimensions be altered during the installation.*

C. You will need the following tools to complete your installation:

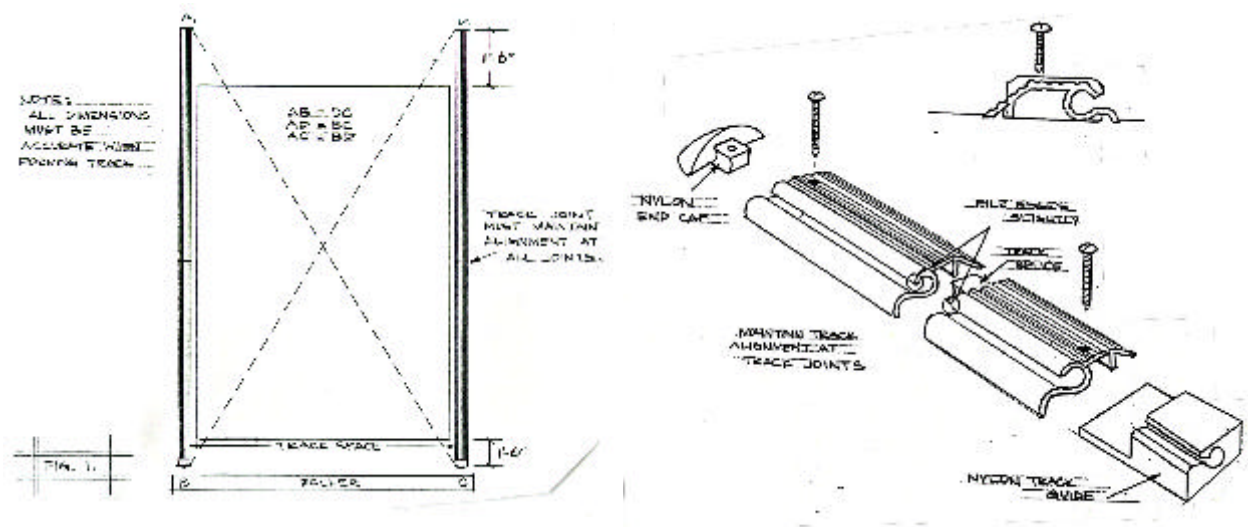
1. A hammer drill with the following masonry bits: 1/4", 5/16", 3/4" (available from most tool rental companies)
2. A cordless drill with Phillips' head or a Phillips' screwdriver
3. A 100' measuring tape, preferably a cloth tape
4. A marker pen or pencil
5. A hammer
6. A 50' extension cord
7. A chalk line
8. Rubber mallet
9. A lighter or book of matches
10. 3/16" drill bit

II. TRACK INSTALLATION

A. Locate the four corner points you established on your deck with permanent marker when

you filled out the Pool Cover Measuring Form, prior to ordering your pool cover. NOTE: If the marks have faded from the deck and are no longer legible, locate the enclosed (extra) copy of the Pool Cover Measuring Form and, following the instructions on the form, repeat the process of establishing the chalked rectangle around your pool. If the lines must be re-established, however, it is imperative that the chalked rectangle be established without deviating from original measurements that were used to custom-manufacture your cover system.

B. Unless the original chalk lines you created around your pool during the ordering process are still visible, snap four new lines from the four corner points you identified in Step A, re-establishing a perfect rectangle around your pool. IMPORTANT NOTE: Snap the lines as accurately as possible. It is important (a) that the lines you snap form a perfect rectangle and (b) that the AD, AB, and AC measurements (see Fig 1 below) which the manufacturer used to construct your custom system correspond perfectly to the measurements that were on the original Order Form. If you have any questions about these critical measurements, please contact the manufacturer's Customer Service Hotline: 1-800-369-5152.



C. Locate the track sections which were shipped with your unit. NOTE: Depending on the length of your pool, there may be either two or four track sections. If four track sections were required, pre-installed track splices will protrude from the ends of two of the four track sections.

D. (1) If your pool cover system required only two track sections, place one on each side of your pool, making sure that the "slotted" side of each track faces the water's edge. (2) If your cover system required four track sections, place one "track-spliced" track (see illustration below) and one "non-track-spliced" track on each side of your pool with the "slotted" side of each track facing the water's edge. Lock the tracks together as shown above so that the pre-installed track splice from one track inserts into the end of the second track section. At the completion of this step, your track should be laid out in its approximate position on each side of the pool.

E. This step is very important since it involves the precise spacing of the tracks across the pool. Align the tracks on each side of the pool so that the inside edge of each track is lined up precisely on the chalk line as illustrated in Fig. 2 on the following page. Once your tracks are in position, use your measuring tape to confirm the distance across the pool from track to track, making sure that the distance corresponds exactly to the track space for which your cover system was

manufactured. (WARNING: Do not, under any circumstances, deviate from the Track Space for which the cover system was ordered. An alteration of the pre-determined track space could seriously impair the operation of the cover system. If you have any question about what the pre-determined track space must be, stop now and contact the manufacturer's Technical Support Department at 1-800-369-5152).

F. Adjust the lengthwise positioning of the tracks so that the end of each track is placed against the edge of the roller-end chalked line as shown near the bottom portion of Fig 2. If placed accordingly, the track should extend to the opposite-end chalked line as shown at the top end of Fig. 2.

NOTE: It is acceptable if the track, at the end opposite the roller, stops a few inches before the chalk line or extends a few inches beyond the chalked line. Before performing the next installation step, make sure that the track sections remain "butted" together. (See the two photos below.)

G. Mark the holes through the track with a 1/4" masonry drill or marking pencil. Set the track aside and drill the holes, using a hammer drill, to a 2" depth with a 1/4" masonry bit. Blow out the concrete dust and use a hammer to tap the plastic anchors flush with the deck. NOTE: When marking the holes, make sure that the track does not shift from its anchoring position.

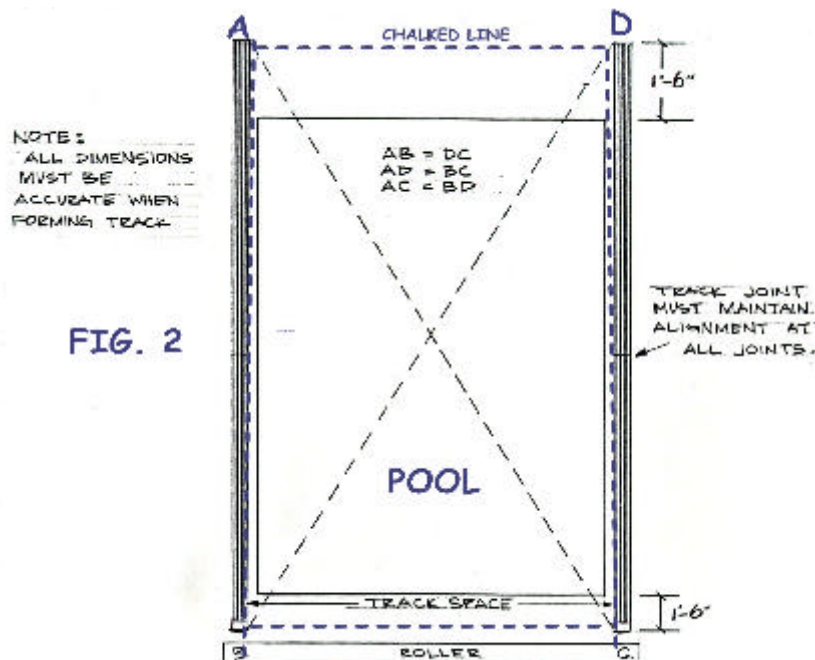


FIG. 2



H. Re-position the track. Prior to inserting the stainless steel track screws through the track holes and into the plastic anchors in anticipation of fastening the track to your deck, locate the two nylon end caps (See Fig 1). Insert an end cap into the non-roller end of each track length and, using a 5/32" drill bit in your cordless drill, drill a hole through the end of the track and into the end cap as show in Fig. 1. Locate a 1/2" screw and secure each end cap to the track as shown. Locate the two nylon guides and position as shown if Fig. 1. Use a 5/32" drill bit in your drill to secure the guides to the track as shown. Now, tighten track to deck, using a Phillips screwdriver or drill with Phillips tip. NOTE: File any "burs" that may have been created on the screw heads with a half-round file and make certain that the track screws are fully tightened to prevent a bather from stubbing a toe.

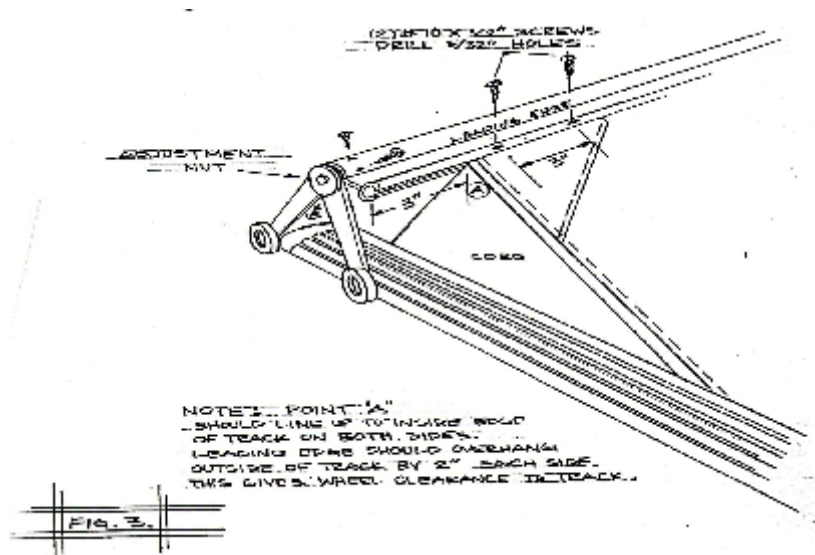
STEP III. FABRIC INSTALLATION

A. Place the rolled up fabric behind the tracks at the mechanism end and unroll the cover until it extends across the pool but remains folded “accordion-style.” NOTE: The cover must be laid out (accordion-folded) so that when the cover is fed into the tracks, the safety Warning Labels are facing up.

B. On **one side only**, start the fabric in the track by carefully feeding the white-dacron edge of the fabric through the nylon track guide and into the track itself for a distance of about six inches.

C. Walk to the opposite side of the pool. Firmly grasping the fabric edge (on the side not yet fed into the track), pull the fabric taut and feed the aluminum leading edge bar onto the “beaded” front edge of the fabric as shown below. Now slide the leading edge bar across the pool until the entire beaded front edge of the fabric is encased inside the leading edge groove and the leading edge bar protrudes past the end of the cover for a distance of approximately three inches. (See Figure 3)

D. Since the cover is manufactured eight inches wider than the track space, you must compress the extra slack evenly across the leading edge bar. NOTE: After compressing the fabric, the leading edge bar should extend beyond the edge of the cover for approximately three inches on each side. (See Figure 3)



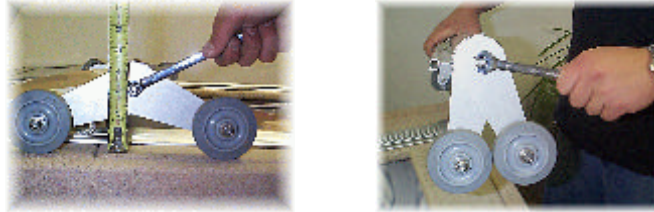
E. Feed the white-dacron edge of the cover through the nylon track guide and into the track on the remaining side until both sides of the cover extend into the track evenly for a distance of about one foot.

F. Attach both wheel assemblies to the leading edge bar by tapping the nylon-dowel portion of a wheel assembly into each end of the leading edge bar. Since the dowels are designed to fit rather snugly, a hammer will be necessary to tap the wheel assemblies into place. NOTE: The wheel-assembly dowels may be pre-assembled to the leading edge bar, leaving only the wheel arms to be attached, using a 1/2" wrench (see the photo under Step H on the following page).

G. Use a 3/16" drill bit to drill through the ends of the leading edge bar; however, stop the drill before you penetrate the plastic dowels. Use your Phillips screwdriver or drill with Phillips tip to thread

two 1/2" screws through the end of each leading edge and into the plastic dowels, securing the wheel assemblies in place (See Fig. 3). NOTE: If the dowels are pre-attached, simply attach the wheel arms, using a 1/2" wrench as illustrated in Step H.

H. Adjust the height of each wheel assembly as illustrated in Figure 3 and the photo below. Then tighten the "adjustment nut" on each side so that the leading edge bar is held in place above the track as shown below.

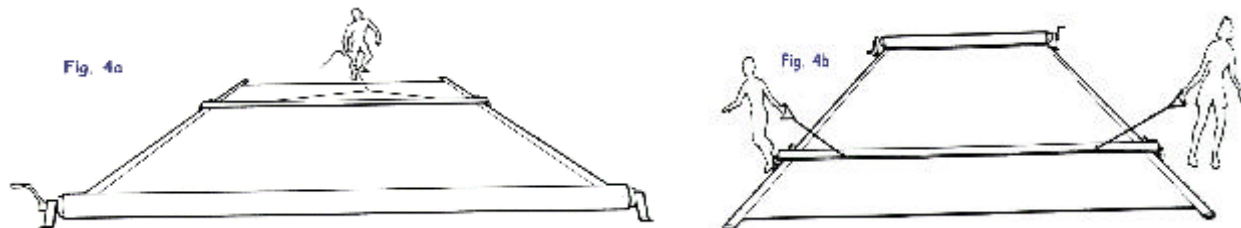


I. Attach the screws holding the front of the cover to the leading edge bar as shown in Figure 3 on the preceding page. NOTE: Before attaching the screws, make sure that (a) the wheel assemblies on each side over-hang the track a similar distance and (b) the edge of the cover has been compressed into each side of the leading edge bar for approximately three inches on each side.

J. There are two options for extending the cover over the pool: (1) one-person tether (see Fig. 4a) or (2) two-person tether (see Fig. 4b). In most cases, a one-person tether will be adequate; however, depending on the size of the pool, it may be more convenient to use the two-person tether to extend the cover.

(A) One-person tether: Locate the "long" length of rope and a clasp. Attach the rope-end to the clasp by tying a knot through the fastening hole in the clasp. Then attach the clasp to the harness on the leading edge bar (See Fig. 4a).

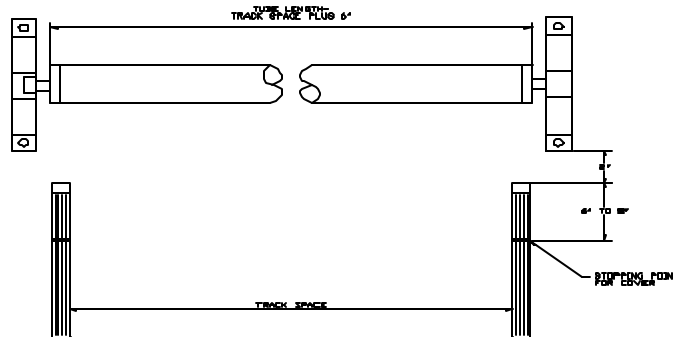
(B) Two-person tether: Locate the two short tether handles. Cut the pre-attached harness (pre-attached to the leading edge bar) into two even pieces, leaving each end attached to the leading edge bar. Fine tune the length of each piece to a comfortable pulling length as shown in Fig. 4b. Once you have cut the two ropes to optimum length, burn the ends with a match or lighter so that the ends do not fray. Locate one of the two tether handles. Slip one of the rope ends through the hole in the center of the handle. Continue pushing the rope through the hole until it protrudes from the end of the handle. Tie a knot in the rope. Grab the rope at the point you inserted it into the hole in the center of the handle. Pull on the rope until the knot prevents the rope from pulling through the hole. Repeat the procedure on the opposite side. You now have two short tethers, permitting a two-person cover extension as shown in Fig. 4b.



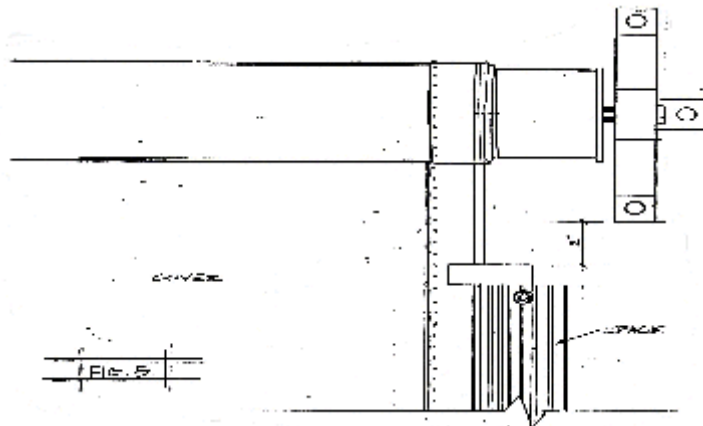
K. Using either the one-person or two-person cover-extension method, extend the cover (see Figures 4a & 4b). As you extend the accordion-folded cover over the pool the for first time, it may help to have two assistants, one standing on each side of the pool at the mechanism end, helping to guide the accordion-folded fabric into the track. If assistants are not available, extend the cover slowly, stopping frequently to determine that both sides of the cover are feeding smoothly.

STEP IV: ROLLER MECHANISM INSTALLATION

A. Locate the box containing the Rocky's Roller Assembly and the 4" roller tube. Assemble the mechanism by following the instructions provided with the Rocky's Roller Assembly. Once assembled, place the drive mechanism in its approximate position at the mechanism-end of your pool. Align the mechanism so that the 4" mechanism "roller" extends across your pool and overhangs the outside edge of the track the same distance on each side. (See the figure below.)



B. Align the legs in the front of the mechanism as illustrated in Figure 5, so that a two-inch setback from the end of the track exists on each side. NOTE: It is very important that the mechanism be mounted in a position that is "square" to the track. If the mechanism is not square to the track, the cover will roll up unevenly, adversely affecting the operation of the cover.



C. Once you have determined the final position of the mechanism, use your marker pen (or pencil) to scribe onto the deck the position of the anchoring holes (on each end) to be drilled into the deck.

D. Set the mechanism aside and use your hammer drill with 5/16" masonry bit to drill the holes to a depth of 2".

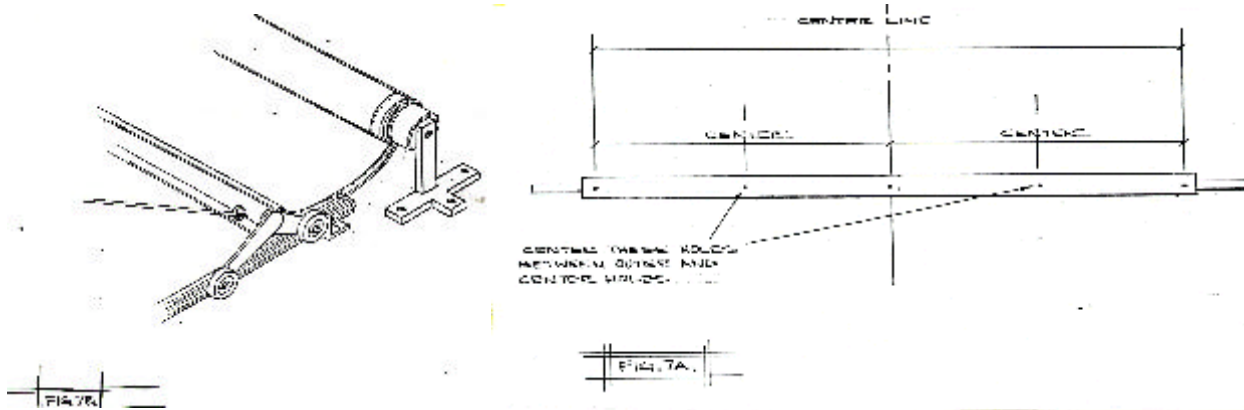
E. Re-position and anchor the mechanism to the deck with 3" screws provided in the Rocky's Roller Installation Kit.

F. Locate your permanent marker. Draw a clearly visible mark across the track, 4" to 5" from the end of the track with the permanent marker. During retraction of the cover, this mark will serve as an indicator to stop the cover when the leading edge bar reaches this mark. NOTE: periodically, it

may be necessary to re-establish this mark. All individuals authorized to operate the cover should be advised of the purpose for the mark and the importance of not opening the cover beyond the mark.

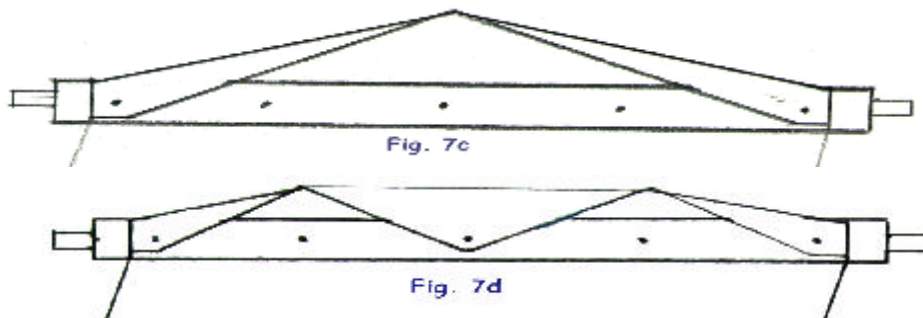
STEP V: FABRIC PINNING

A. Pull the tail of the fabric underneath the four-inch mechanism roller and over the top. See Figure below.



B. Examine the “roller” (rotate the roller if necessary) until you notice the five, pre-drilled holes extending across the length of the roller (see Figure 7a): one hole on each end, one hole in the center of the tube, and one hole on each side positioned in between the end and middle holes. Use two ½" screws to pin the fabric to the roller through the pre-drilled holes on each end only such that the fabric feeds straight back from the track as illustrated in Figure 7a. NOTE: Pinning the cover evenly on each side of the roller is the most important step in the “pinning” process because an “even pinning” enables the cover to roll up “squarely” onto the roller during operation of the cover.

C. Now that the cover has been pinned to each end of the roller, “lift” the fabric up in the middle of the roller, forming an inverted “V,” enabling you to locate the center point of the fabric. (See Fig. 7c below.) Use a ½" screw to pin the center point of the fabric to the middle hole in the roller. Now move to one side until you have located the pre-drilled hole in the roller positioned between the center hole and the end hole (approximately 1/4 of the distance down the roller) and lift the fabric again into another (smaller) inverted “V,” identifying the mid point of the fabric between the end and middle pinned points and pin the fabric through the pre-drilled hole located 1/4 of the way down the roller, using a ½" screw. (See Fig. 7d.)



Move to the other side of the roller and repeat the process, making an inverted “V” with the fabric to locate the mid point between the middle and end pinned points and pin the fabric to the roller through the pre-drilled hole located 1/4 of the way from the end of the roller, using a ½" screw and a Phillips screwdriver or a drill with a Phillips head to pin the cover to the roller. NOTE: Failure to pin the cover evenly may result in the cover retracting “crookedly,” a condition which will adversely affect

the operation of the cover. Call our Customer Service Line, 1-800-369-5152, if you are having difficulty pinning the cover or getting the cover to retract evenly.

D. Once the cover has been pinned to the roller, wrap the “tail” of the cover around the roller by manually rotating the roller until all of the “loose” fabric at the tail-end of the cover surrounds the roller as shown at right in Fig. 7b.

E. Depending on the length of the pool, the cover may take anywhere from thirty seconds to two minutes to retract. NOTE: It is important to stop the cover at the point where the leading edge reaches the 4" mark drawn on the track. Failure to do so could result in severe damage to the fabric. When the cover has been retracted from the pool, if the leading edge bar is not parallel to the mechanism, the cover will require re-pinning until it feeds onto the reel in a “square” manner.

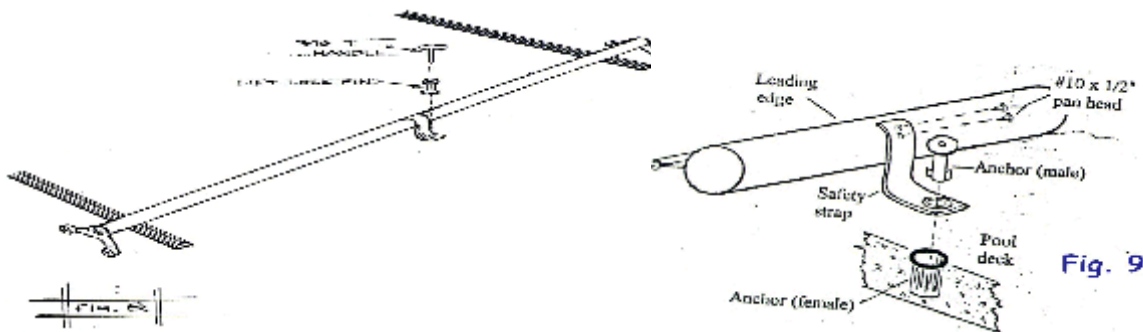
STEP VI: SETTING UP THE AUTOMATIC WATER EVACUATION PUMP

A. Remove the pump from its box. Locate the plastic pedestal and attach it to the pump base, using the four anchoring bolts provided.

B. Follow the instructions provided by the pump manufacturer in setting up the pump for water retrieval. NOTE: The pump is excluded from the fabric and mechanism Limited Warranties provided by the pool cover manufacturer. In the event that a warranty claim becomes necessary relevant to the pump, the pump manufacturer should be contacted directly as per the terms and conditions of the Limited Warranty provided by the pump manufacturer.

STEP VII: ATTACHING THE SAFETY STRAP DECK ANCHOR

A. With the cover completely extended over the pool, fasten the strap to the leading edge bar as shown in Figures 8 and 9 on the following page. Then, flatten the safety strap on the deck and mark the anchor location on the deck surface as shown in Fig.8.



B. Drill a 3/4" hole through the deck, using your hammer drill and 3/4" masonry bit to a depth of 2".

C. Locate the safety anchor provided in your Installation Kit. Using a mallet, lightly tap the anchor into the hole until the rim of the anchor is flush with the deck. NOTE: The tapered contour of the anchor is designed to permit the anchor to seat securely when tapped into the hole; however, if you inadvertently elongate the hole somewhat during the drilling process, increasing the diameter of the hole, an adhesive may be necessary to ensure that the anchor remains firmly secured to the deck.

D. Use the “T-handle” latching tool to release the head of the anchor by inserting the tool, pressing lightly to depress the internal spring, and twisting 1/4" turn counter-clockwise. (See figure 9) Once the anchor head is removed, insert the head through the grommet on the safety strap and attach the rubber “O” ring to the underside of the anchor head, preventing the head from slipping out of the grommet hole. When latching the safety strap, simply place the head (already attached to the grommet) into the base of the anchor, insert the latching tool into the head, press lightly, and twist 1/4 turn clockwise. NOTE: It is very important that the cover operator remembers to release the safety strap prior to operating the system. Failure to do so could result in damage to the strap, anchor, or fabric.

STEP VIII: ENJOY YOUR MANUALTRAK II™ SAFETY POOL COVER SYSTEM!!

CONGRATULATIONS!! Your installation should now be complete. If you have any questions, do not hesitate to contact the manufacturer, using the toll-free number provided in the Owners Manual.

Read your Owners Manual and Operating Instructions thoroughly before running your cover back and forth. NOTE: Never permit individuals unfamiliar with the Operating Procedures to use the cover!! Failure to follow the Operating Procedures could result in extensive damage to your cover system.

Most important: If your cover functions as a primary or secondary safety barrier, whenever the pool is not in use, secure the pool by placing the cover over the pool and fastening the safety strap. Finally, never forget that there is no substitute for adult supervision. The manufacturer strongly recommends multiple layers of protection around your pool (i.e., pool alarms, fencing, safety-latch gates, pool-side telephone). Although your new safety pool cover system is perhaps the single most effective piece of safety equipment around your pool (when used properly), the cover is not intended to be used in lieu of other safety equipment—and should never be used in place of adult supervision.