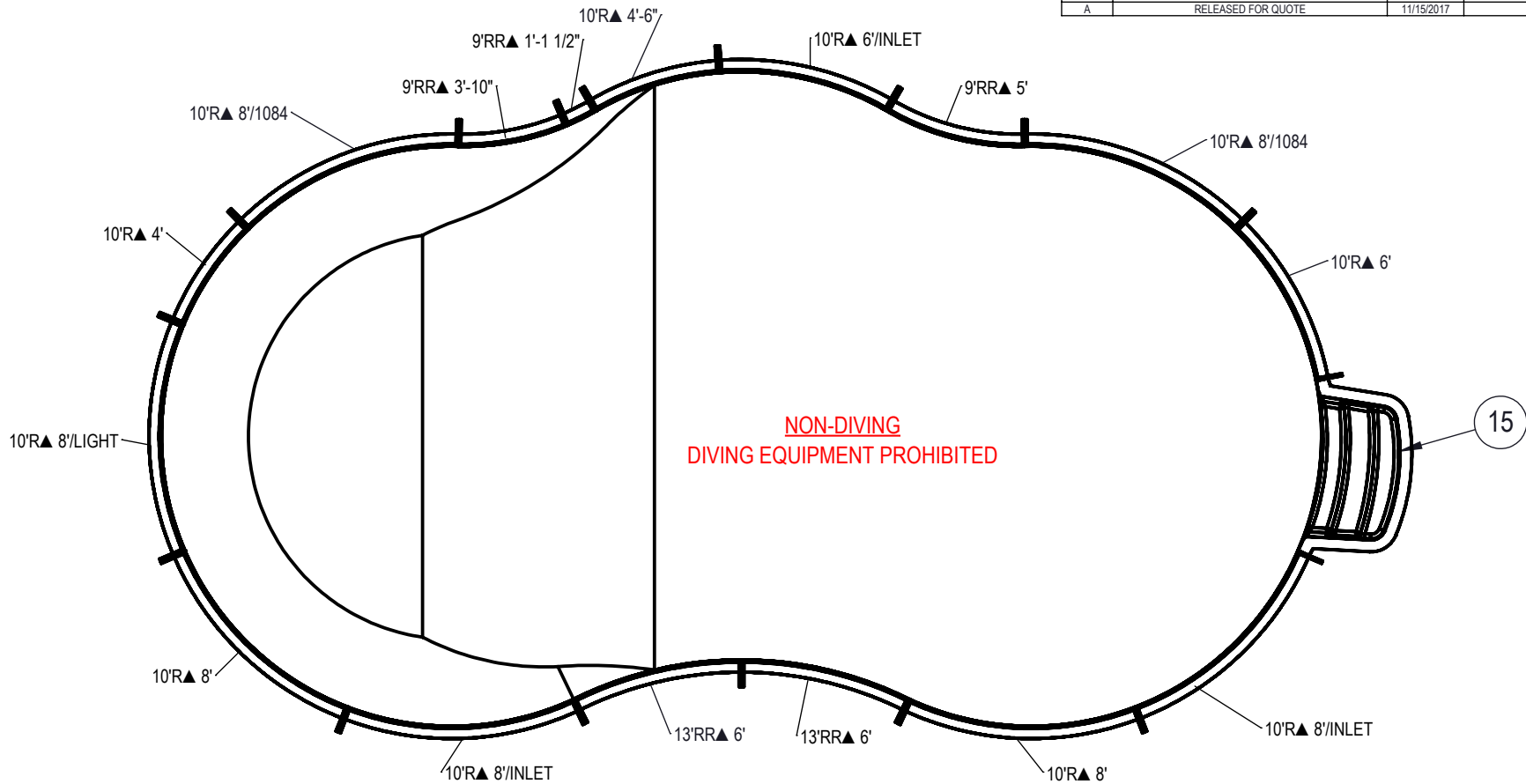


REVISION HISTORY			
REV.	DESCRIPTION	DATE	BY
A	RELEASED FOR QUOTE	11/15/2017	BUMPHREY

MIRROR NUMBER: 00016784
CHECK IN DATE/TIME: Wednesday, December 06, 2017 9:27:19 AM



NOTES:

1. THESE ARE FINISHED DIMENSIONS READY FOR THE LINER.
2. DIMENSIONS ARE FROM INSIDE POOL PANELS.
3. ROPE AND FLOAT ASSEMBLY SHOULD BE INSTALLED IN ACCORDANCE WITH CURRENT ANSI/ASPS/ICC REGULATIONS
4. HYDRA LINER TRACK FOR STEPS IS INSTALLED WITH THE BARB FACING THE RISER WALL ON THE STEP.

EXCAVATION NOTES:

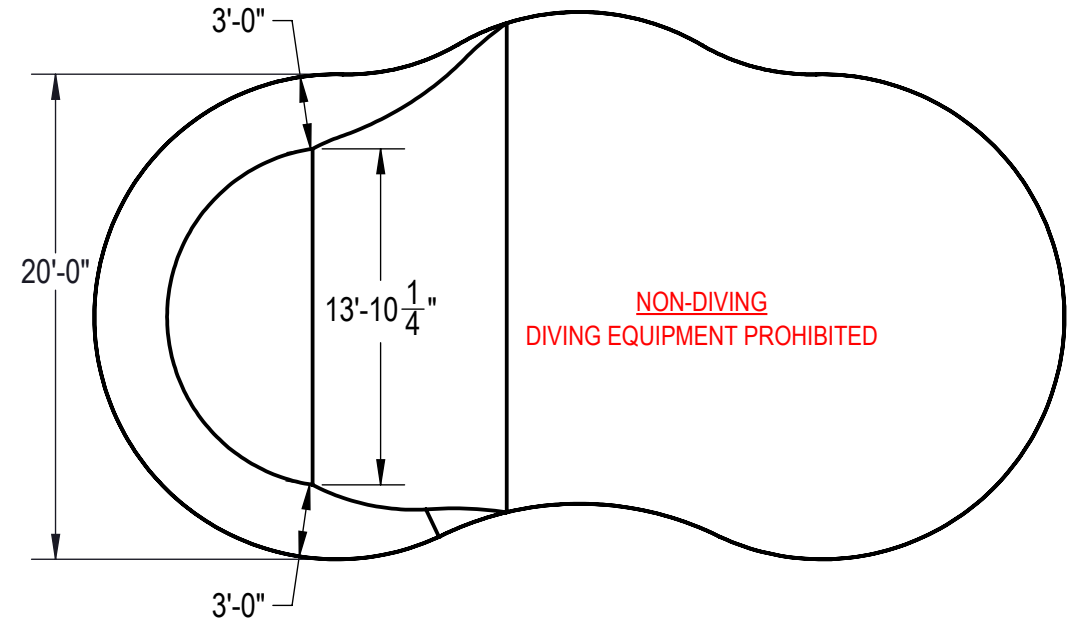
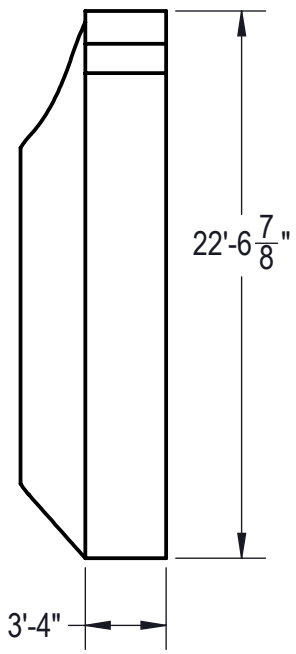
5. ROUGH EXCAVATION SHOULD BE 2" DEEPER IN EACH INSTANCE.
6. SOIL TO HAVE MINIMUM BEARING CAPACITY OF 1500 PSF.
7. LOCATE TOP OF POOL AT LEAST 6" ABOVE THE SURROUNDING LAND ELEVATION.
8. SEE "OVER DIG DETAIL" FOR EXCAVATION AROUND POOL.
9. FILL VOIDS UNDER BASE OF PANELS AND TAMP WELL.
10. BACK FILL WITH NON-EXPANSIVE MATERIAL.
11. FOLLOW ALL CURRENT ANSI / APSP / ICC GUIDELINES FOR RESIDENTIAL POOLS

IMPORTANT NOTES:

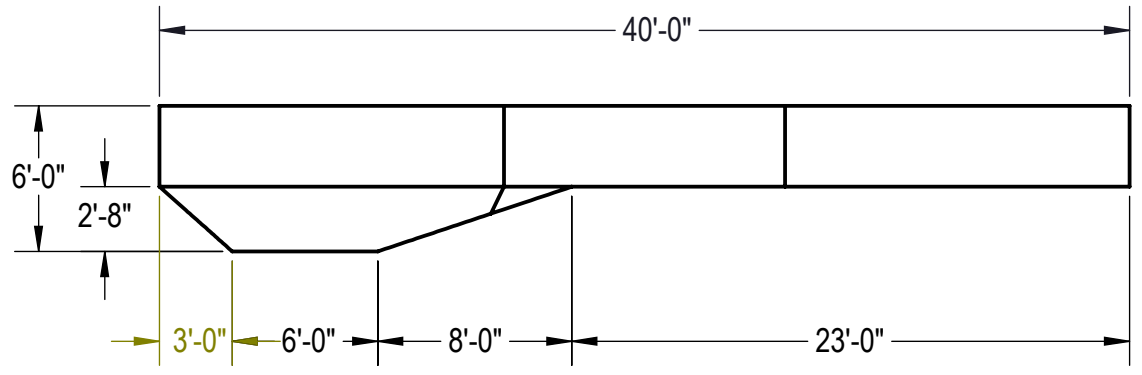
THIS DOCUMENT IS FOR ILLUSTRATIVE PURPOSES ONLY. THE DEALER OR CONTRACTOR WHO SELLS OR INSTALLS YOUR POOL IS AN INDEPENDENT CONTRACTOR AND IS NOT AN AGENT OF THE MANUFACTURER. THE CONSTRUCTION METHODS ILLUSTRATED HERE ARE SUGGESTIONS AND APPLY ONLY TO NORMAL GROUND CONDITIONS. THERE MAY BE ADDITIONAL PRECAUTIONS AND/OR METHODS OF CONSTRUCTION. PROPER INSTALLATION IS THE RESPONSIBILITY OF THE DEALER/BUILDER/CONTRACTOR.

ITEM	FILE NAME	DESCRIPTION	CUSTOMER DRAWING #	VENDOR PART #	QTY.
1	BOLT, PACK	BOLT, FLANGE, 3/8-16 X 1", PACK (50)	HPS1916	HPS1916	4
2	SBRACE	BRACE, FOLD OVER WITH TURNBUCKLE, STEEL, HPSFOB	HPSFOB	HPSFOB	17
3	PANEL, RADIUS	PANEL, 10' RADIUS, 4' LONG, 600 SERIES	HPSD10R4	0000705	1
4	PANEL, RADIUS	PANEL, 10' RADIUS, 4'-6" LONG, 600 SERIES	HPSCR5	00008500	1
5	PANEL, RADIUS	PANEL, 10' RADIUS, 6' LONG, 600 SERIES	HPSD10R6	0000997	1
6	PANEL, RADIUS	PANEL, 10' RADIUS, 6' LONG, INLET, 600 SERIES	HPSCR7	00006560	1
7	PANEL, RADIUS	PANEL, 10' RADIUS, 8' LONG 1084, 600 SERIES	HPSD10R884	00000241	2
8	PANEL, RADIUS	PANEL, 10' RADIUS, 8' LONG, 600 SERIES	HPSD10R8	0000999	2
9	PANEL, RADIUS	PANEL, 10' RADIUS, 8' LONG, INLET, 600 SERIES	HPS10R8I	00002082	2
10	PANEL, RADIUS	PANEL, 10' RADIUS, 8' LONG, LIGHT, 600 SERIES	HPSD10R8L	00001014	1
11	PANEL, RR	PANEL, 13' REVERSE RADIUS, 6' LONG, 600 SERIES	HPSD13RR6	00000360	2
12	PANEL, RR	PANEL, 9' REVERSE RADIUS, 1'-1 1/2" LONG, 600 SERIES	HPSCR2	00003049	1
13	PANEL, RR	PANEL, 9' REVERSE RADIUS, 3'-10" LONG, 600 SERIES	HPSCR4	00006561	1
14	PANEL, RR	PANEL, 9' REVERSE RADIUS, 5' LONG, 600 SERIES	HPSD9RR5	00000168	1
15	HS103N	STEP, 6' RADIUS, 3 TREAD	HS103N	HS103N	1

ENGINEERING DRAWING NUMBER: 00016784	WEIGHT: 197576.4 lbs	UNLESS OTHERWISE SPECIFIED DIMENSIONS ARE IN INCHES TOLERANCES DECIMALS: X ± .1 XX ± .01 XXX ± .001 XXXX ± .0005 ANGULAR: X ± 0.5 THIRD ANGLE PROJECTION	DESIGNED BY: BUMPHREY	CREATION DATE: 7/19/2013	HYDRA POOLS
	VOLUME: Inch ³		DETAILED BY: BUMPHREY	DETAILED DATE: 12/6/2017	
	COLOR:		LAST REVISED BY: bumphrey	LAST REVISED DATE: 12/6/2017	
	HEAT TREAT:		MATERIAL:		
FINISH:					TITLE: LAYOUT, 20' X 40', LAGOON, LEFT, 6' DEEP, LIGHT, 2-1084, 3-INLET, 600 SERIES
TEXTURE:					PART NUMBER: 00016784
					SCALE: 1:128 SHEET: 1 OF 4
					SIZE: A



Area: 715.14ft ^2
Perimeter: 104.44ft
Volume = 21210 US gallons



NOTES:

1. THESE ARE FINISHED DIMENSIONS READY FOR THE LINER.
2. DIMENSIONS ARE FROM INSIDE POOL PANELS.
3. ROPE AND FLOAT ASSEMBLY SHOULD BE INSTALLED IN ACCORDANCE WITH CURRENT ANSI/ASPS/ICC REGULATIONS
4. HYDRA LINER TRACK FOR STEPS IS INSTALLED WITH THE BARB FACING THE RISER WALL ON THE STEP.

EXCAVATION NOTES:

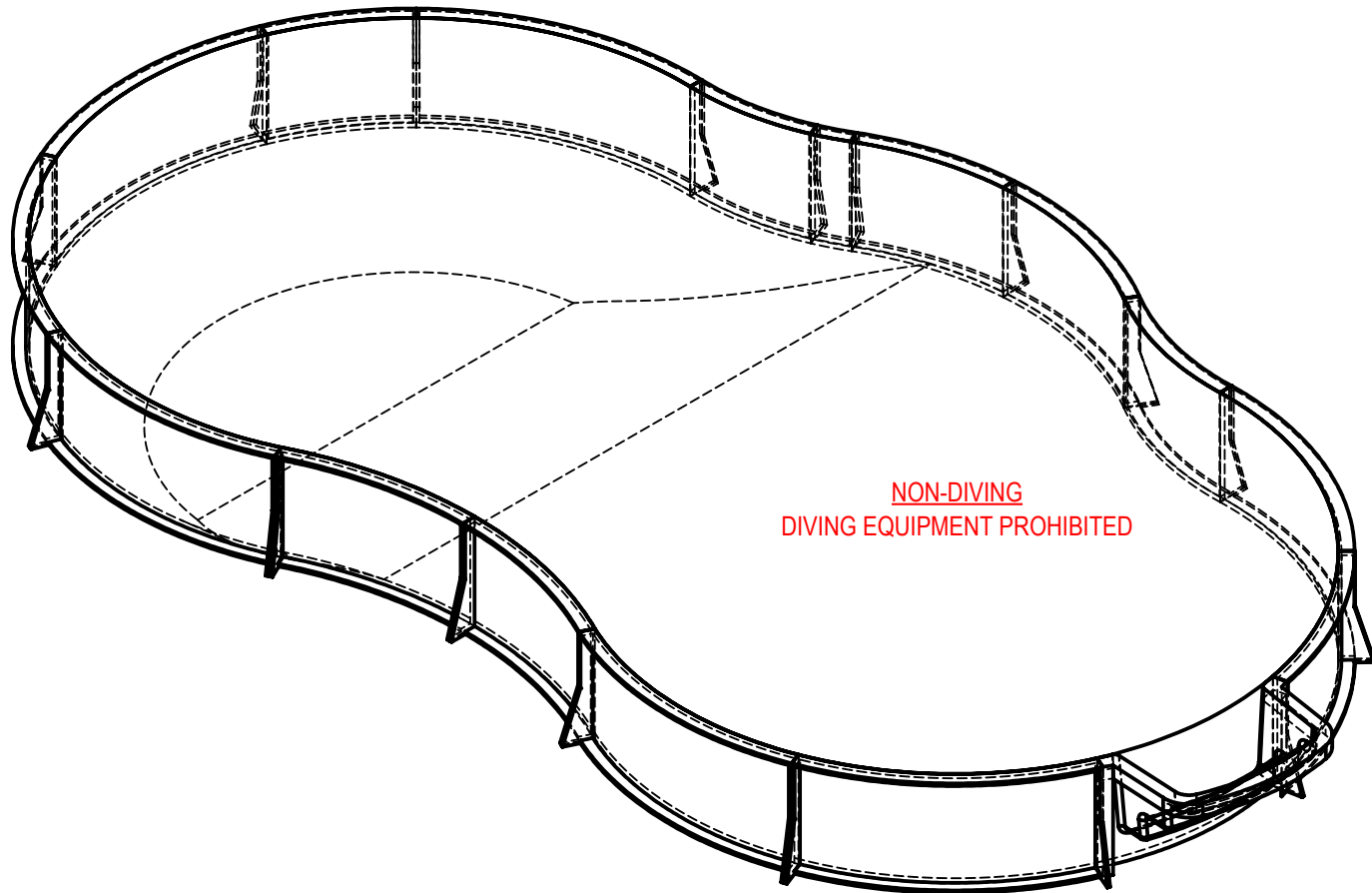
5. ROUGH EXCAVATION SHOULD BE 2" DEEPER IN EACH INSTANCE.
6. SOIL TO HAVE MINIMUM BEARING CAPACITY OF 1500 PSF.
7. LOCATE TOP OF POOL AT LEAST 6" ABOVE THE SURROUNDING LAND ELEVATION.
8. SEE "OVER DIG DETAIL" FOR EXCAVATION AROUND POOL.
9. FILL VOIDS UNDER BASE OF PANELS AND TAMP WELL.
10. BACK FILL WITH NON-EXPANSIVE MATERIAL.
11. FOLLOW ALL CURRENT ANSI / APSP / ICC GUIDELINES FOR RESIDENTIAL POOLS


IMPORTANT NOTES:

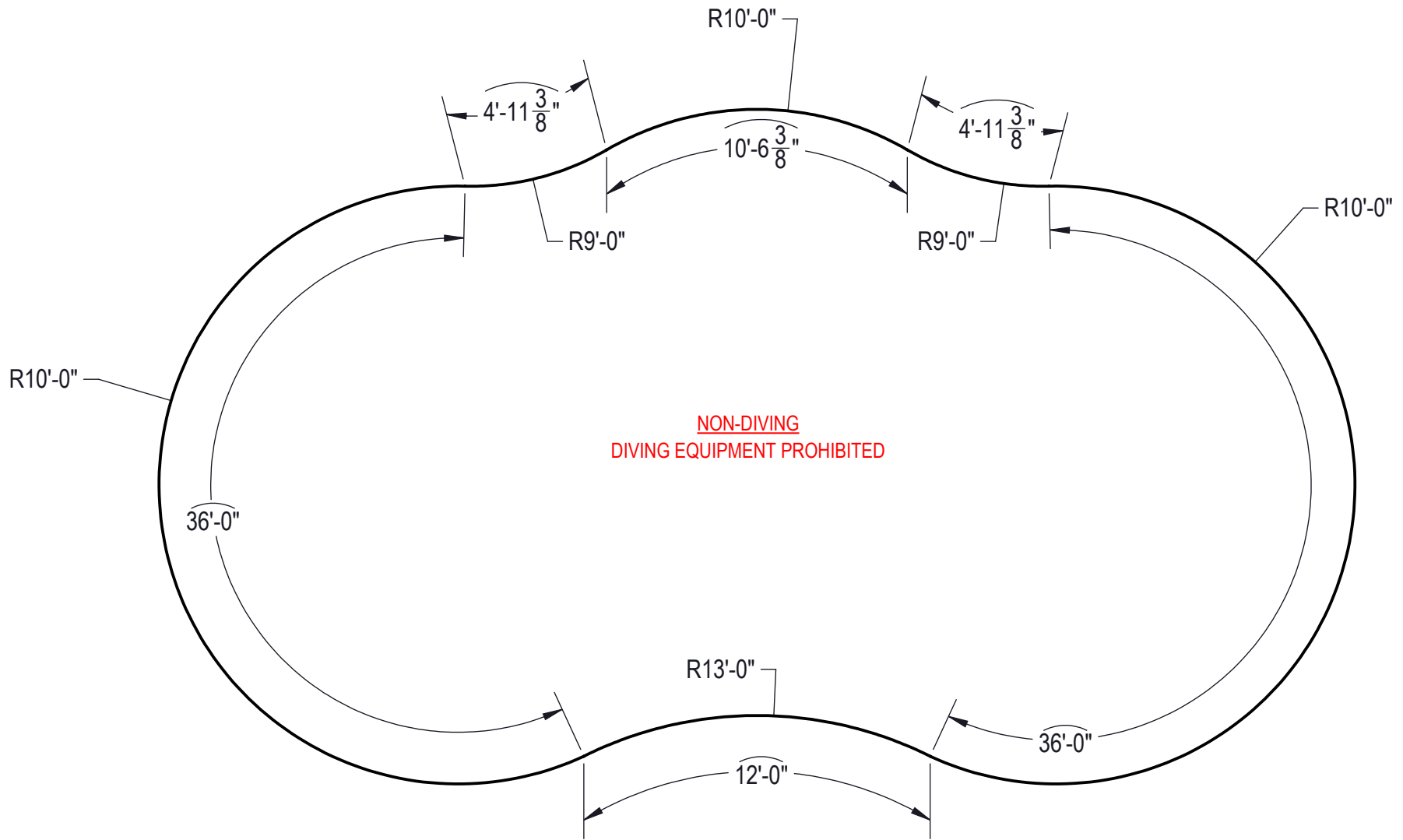
THIS DOCUMENT IS FOR ILLUSTRATIVE PURPOSES ONLY. THE DEALER OR CONTRACTOR WHO SELLS OR INSTALLS YOUR POOL IS AN INDEPENDENT CONTRACTOR AND IS NOT AN AGENT OF THE MANUFACTURER. THE CONSTRUCTION METHODS ILLUSTRATED HERE ARE SUGGESTIONS AND APPLY ONLY TO NORMAL GROUND CONDITIONS. THERE MAY BE ADDITIONAL PRECAUTIONS AND/OR METHODS OF CONSTRUCTION. PROPER INSTALLATION IS THE RESPONSIBILITY OF THE DEALER/BUILDER/CONTRACTOR.

**NON-DIVING
 DIVING EQUIPMENT PROHIBITED**

ENGINEERING DRAWING NUMBER: 00016784	WEIGHT:	UNLESS OTHERWISE SPECIFIED DIMENSIONS ARE IN INCHES TOLERANCES DECIMALS: X ± .1 XX ± .01 XXX ± .001 XXXX ± .0005 ANGULAR: X ± 0.5 THIRD ANGLE PROJECTION	DESIGNED BY:	CREATION DATE:	HYDRA POOLS TITLE: LAYOUT, 20' X 40', LAGOON, LEFT, 6' DEEP, LIGHT, 2-1084, 3-INLET, 600 SERIES
	VOLUME:		DETAILLED BY:	DETAILED DATE:	
	Inch ³		bumphrey	12/6/2017	
	COLOR:		LAST REVISED BY:	LAST REVISED DATE:	
	NA		bumphrey	12/6/2017	
HEAT TREAT:	MATERIAL:	PART NUMBER:	SCALE:	SIZE:	
NA		00016784	1:128	A	
FINISH:			SHEET:		
NA			2 OF 4		
TEXTURE:					
NA					



ENGINEERING DRAWING NUMBER: 00016784	WEIGHT: 197576.4 lbs	UNLESS OTHERWISE SPECIFIED DIMENSIONS ARE IN INCHES TOLERANCES DECIMALS: X ± .1 XX ± .01 XXX ± .001 XXXX ± .0005 ANGULAR: X ± 0.5 THIRD ANGLE PROJECTION 	DESIGNED BY: BUMPHREY	CREATION DATE: 7/19/2013	HYDRA POOLS	
	VOLUME: Inch ³		DETAILED BY: BUMPHREY	DETAILED DATE: 12/6/2017		
	COLOR:		LAST REVISED BY: bumphrey	LAST REVISED DATE: 12/6/2017		
	HEAT TREAT:		MATERIAL:		TITLE: LAYOUT, 20' X 40', LAGOON, LEFT, 6' DEEP, LIGHT, 2-1084, 3-INLET, 600 SERIES	
	FINISH:		PART NUMBER:			
	TEXTURE:				00016784	



**NON-DIVING
 DIVING EQUIPMENT PROHIBITED**

ENGINEERING DRAWING NUMBER: 00016784	WEIGHT:	UNLESS OTHERWISE SPECIFIED DIMENSIONS ARE IN INCHES TOLERANCES DECIMALS: X ± .1 XX ± .01 XXX ± .001 XXXX ± .0005 ANGULAR: X ± 0.5 THIRD ANGLE PROJECTION 	DESIGNED BY:	CREATION DATE:	HYDRA POOLS TITLE: LAYOUT, 20' X 40', LAGOON, LEFT, 6' DEEP, LIGHT, 2-1084, 3-INLET, 600 SERIES
	lbs		BUMPHREY	1/3/2012	
	VOLUME:		DETAILED BY:	DETAILED DATE:	
	Inch ³		BUMPHREY	12/6/2017	
	COLOR:		LAST REVISED BY:	LAST REVISED DATE:	PART NUMBER: <div style="font-size: 2em; font-weight: bold; text-align: center;">00016784</div>
	NA		bumphrey	12/6/2017	
HEAT TREAT:	MATERIAL:		SCALE:	SIZE:	
NA			1:108	A	
FINISH:			SHEET:		
NA			4 OF 4		
TEXTURE:					
NA					