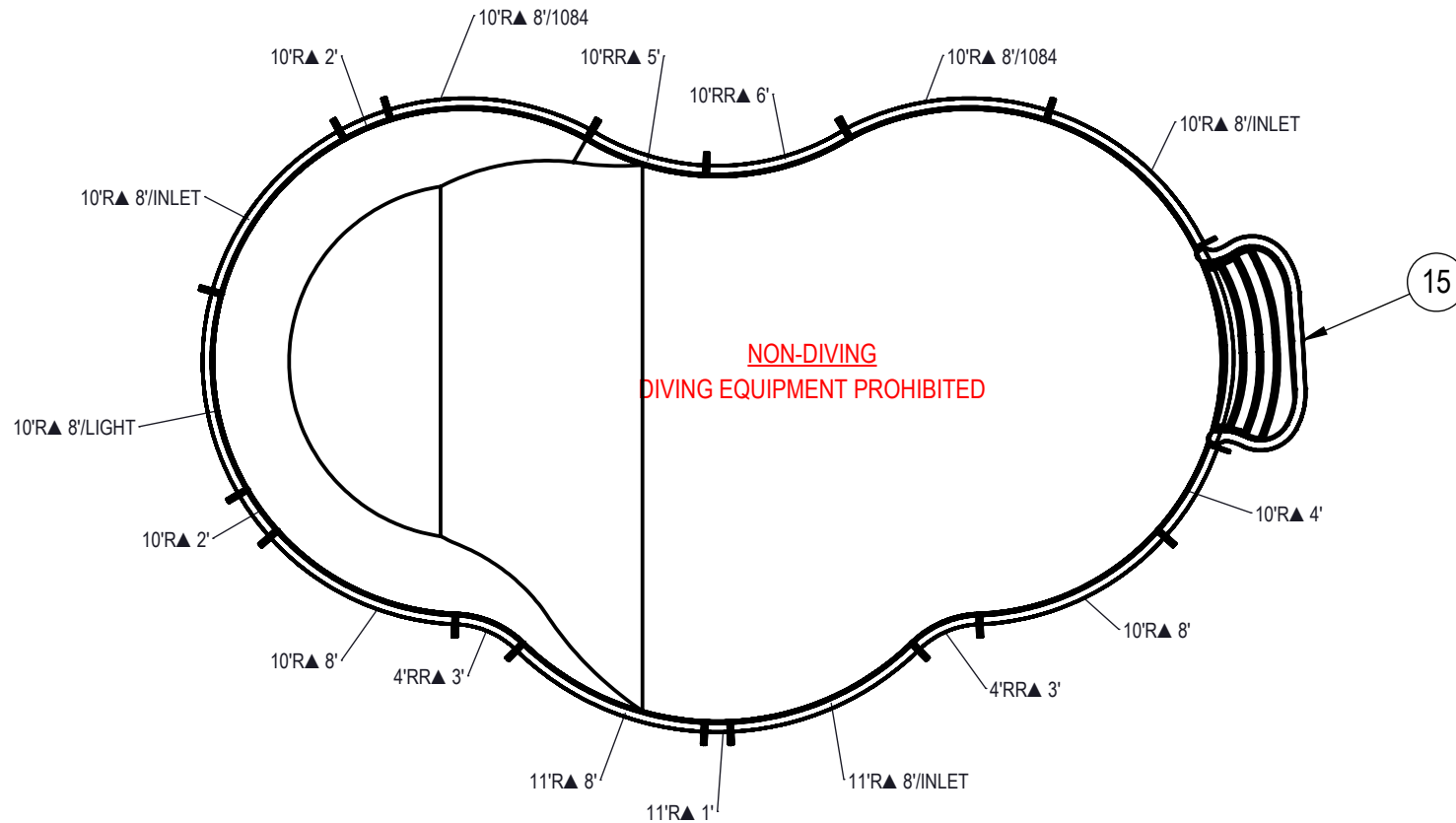


REVISION HISTORY				
REV.	DESCRIPTION	DATE	ECO	BY



NOTES:

1. THESE ARE FINISHED DIMENSIONS READY FOR THE LINER.
2. DIMENSIONS ARE FROM INSIDE POOL PANELS.
3. ROPE AND FLOAT ASSEMBLY SHOULD BE INSTALLED IN ACCORDANCE WITH CURRENT ANSI/ASPS/ICC REGULATIONS
4. HYDRA LINER TRACK FOR STEPS IS INSTALLED WITH THE BARB FACING THE RISER WALL ON THE STEP.

EXCAVATION NOTES:

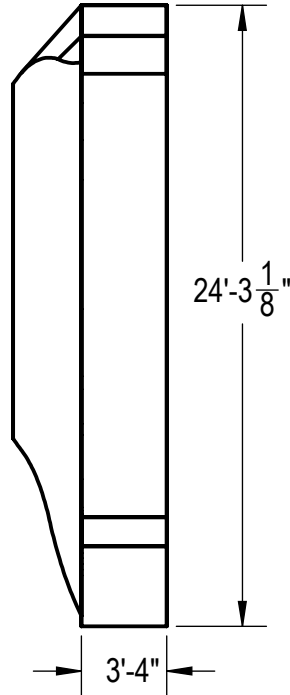
5. ROUGH EXCAVATION SHOULD BE 2" DEEPER IN EACH INSTANCE.
6. SOIL TO HAVE MINIMUM BEARING CAPACITY OF 1500 PSF.
7. LOCATE TOP OF POOL AT LEAST 6" ABOVE THE SURROUNDING LAND ELEVATION.
8. SEE "OVER DIG DETAIL" FOR EXCAVATION AROUND POOL.
9. FILL VOIDS UNDER BASE OF PANELS AND TAMP WELL.
10. BACK FILL WITH NON-EXPANSIVE MATERIAL.
11. FOLLOW ALL CURRENT ANSI / APSP / ICC GUIDELINES FOR RESIDENTIAL POOLS

IMPORTANT NOTES:

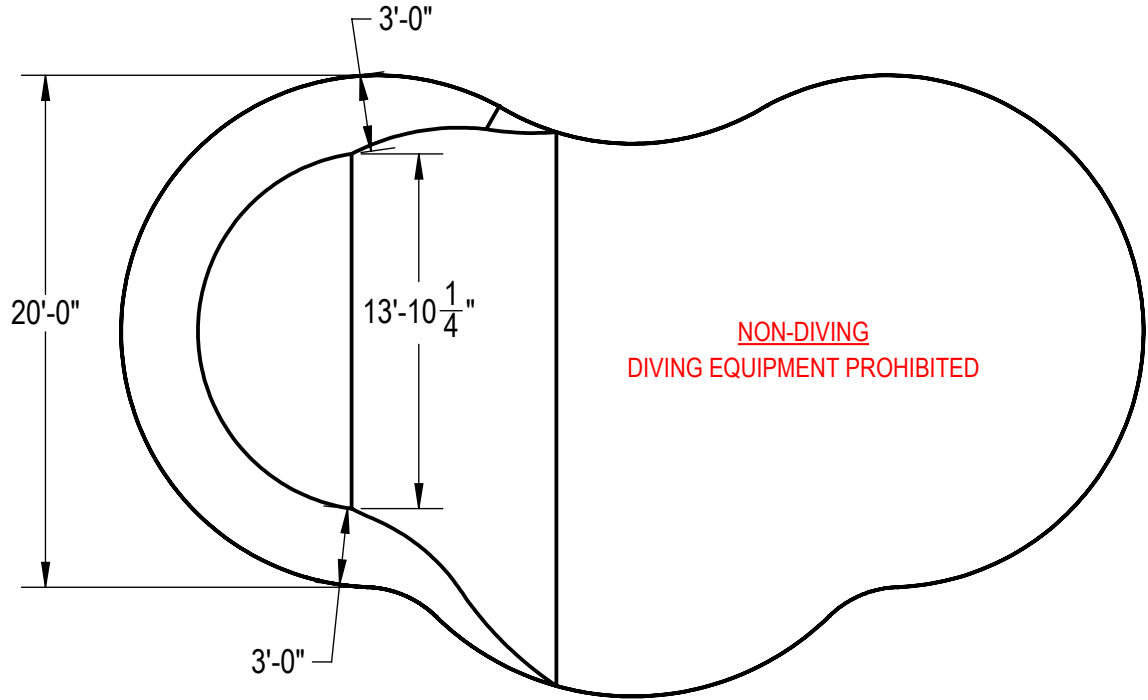
THIS DOCUMENT IS FOR ILLUSTRATIVE PURPOSES ONLY. THE DEALER OR CONTRACTOR WHO SELLS OR INSTALLS YOUR POOL IS AN INDEPENDENT CONTRACTOR AND IS NOT AN AGENT OF THE MANUFACTURER. THE CONSTRUCTION METHODS ILLUSTRATED HERE ARE SUGGESTIONS AND APPLY ONLY TO NORMAL GROUND CONDITIONS. THERE MAY BE ADDITIONAL PRECAUTIONS AND/OR METHODS OF CONSTRUCTION. PROPER INSTALLATION IS THE RESPONSIBILITY OF THE DEALER/BUILDER/CONTRACTOR.

ITEM	FILE NAME	DESCRIPTION	CUSTOMER DRAWING #	VENDOR PART #	QTY.
1	BOLT, PACK	BOLT, FLANGE, 3/8-16 X 1", PACK (50)	HPS1916	HPS1916	4
2	SBRACE	BRACE, FOLD OVER WITH TURNBUCKLE, STEEL, HPSFOB	HPSFOB	HPSFOB	18
3	PANEL, RADIUS	PANEL, 10' RADIUS, 2' LONG, 600 SERIES	HPS10R2	00002055	2
4	PANEL, RADIUS	PANEL, 10' RADIUS, 4' LONG, 600 SERIES	HPSD10R4	00000705	1
5	PANEL, RADIUS	PANEL, 10' RADIUS, 8' LONG 1084, 600 SERIES	HPSD10R884	00000241	2
6	PANEL, RADIUS	PANEL, 10' RADIUS, 8' LONG, 600 SERIES	HPSD10R8	00000999	2
7	PANEL, RADIUS	PANEL, 10' RADIUS, 8' LONG, INLET, 600 SERIES	HPS10R8I	00002082	2
8	PANEL, RADIUS	PANEL, 10' RADIUS, 8' LONG, LIGHT, 600 SERIES	HPSD10R8L	00001014	1
9	PANEL, RR	PANEL, 10' REVERSE RADIUS, 5' LONG, 600 SERIES	HPSD10RR5	00002087	1
10	PANEL, RR	PANEL, 10' REVERSE RADIUS, 6' LONG, 600 SERIES	HPSD10RR6	00001015	1
11	PANEL, RADIUS	PANEL, 11' RADIUS, 1' LONG, 600 SERIES	HPSD11R1	00000300	1
12	PANEL, RADIUS	PANEL, 11' RADIUS, 8' LONG, 600 SERIES	HPSD11R8	00001182	1
13	PANEL, RADIUS	PANEL, 11' RADIUS, 8' LONG, INLET, 600 SERIES	HPSD11R8I	00000770	1
14	PANEL, RR	PANEL, 4' REVERSE RADIUS, 3' LONG, 600 SERIES	HPSD4RR3	00000486	2
15	HS112N	STEP, 8' RADIUS, 4 TREAD	HS112N	HS112N	1

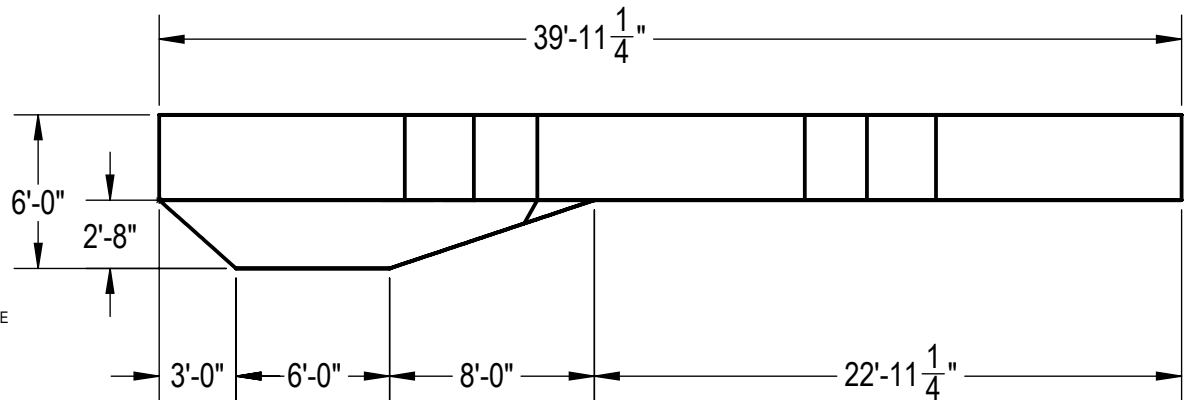
ENGINEERING DRAWING NUMBER: 00016926	WEIGHT: lbs	UNLESS OTHERWISE SPECIFIED DIMENSIONS ARE IN INCHES TOLERANCES DECIMALS: X ± .1 XX ± .01 XXX ± .001 XXXX ± .0005 ANGULAR: X ± 0.5 THIRD ANGLE PROJECTION	DESIGNED BY: BUMPHREY	CREATION DATE: 3/20/2013	HYDRA POOLS
	VOLUME: Inch ³		DETAILED BY: BUMPHREY	DETAILED DATE: 12/12/2017	
	COLOR:		LAST REVISED BY: bumphrey	LAST REVISED DATE: 12/12/2017	
	HEAT TREAT:		MATERIAL:	TITLE: LAYOUT, 20' X 40' LAGOON, RIGHT, 6' DEEP, HS112N, LIGHT, 2-1084, 3-INLET, 600 SERIES	
	FINISH:			PART NUMBER: 00016926	
TEXTURE:		SCALE: 1:128	SIZE: A		



Area: 738.73ft ^2
Perimeter: 105.90ft
Volume = 21847 US gallons



NON-DIVING
DIVING EQUIPMENT PROHIBITED



NOTES:

1. THESE ARE FINISHED DIMENSIONS READY FOR THE LINER.
2. DIMENSIONS ARE FROM INSIDE POOL PANELS.
3. ROPE AND FLOAT ASSEMBLY SHOULD BE INSTALLED IN ACCORDANCE WITH CURRENT ANSI/ASPS/ICC REGULATIONS
4. HYDRA LINER TRACK FOR STEPS IS INSTALLED WITH THE BARB FACING THE RISER WALL ON THE STEP.

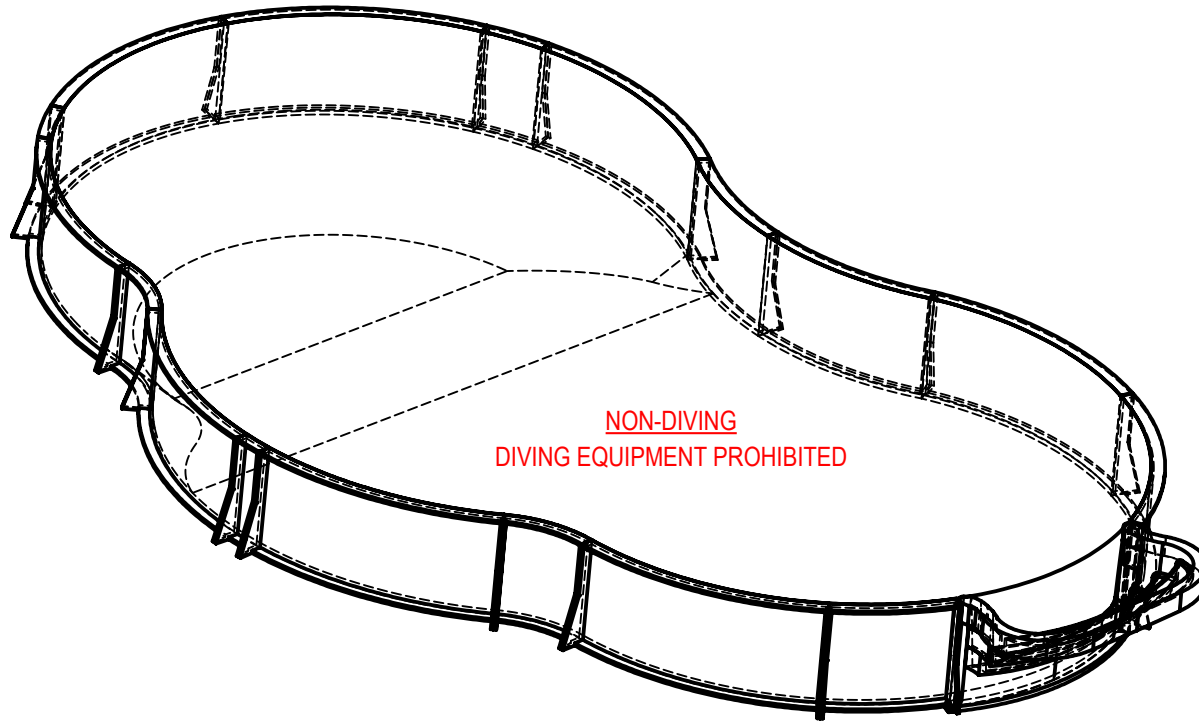
EXCAVATION NOTES:

5. ROUGH EXCAVATION SHOULD BE 2" DEEPER IN EACH INSTANCE.
6. SOIL TO HAVE MINIMUM BEARING CAPACITY OF 1500 PSF.
7. LOCATE TOP OF POOL AT LEAST 6" ABOVE THE SURROUNDING LAND ELEVATION.
8. SEE "OVER DIG DETAIL" FOR EXCAVATION AROUND POOL.
9. FILL VOIDS UNDER BASE OF PANELS AND TAMP WELL.
10. BACK FILL WITH NON-EXPANSIVE MATERIAL.
11. FOLLOW ALL CURRENT ANSI / APSP / ICC GUIDELINES FOR RESIDENTIAL POOLS


IMPORTANT NOTES:

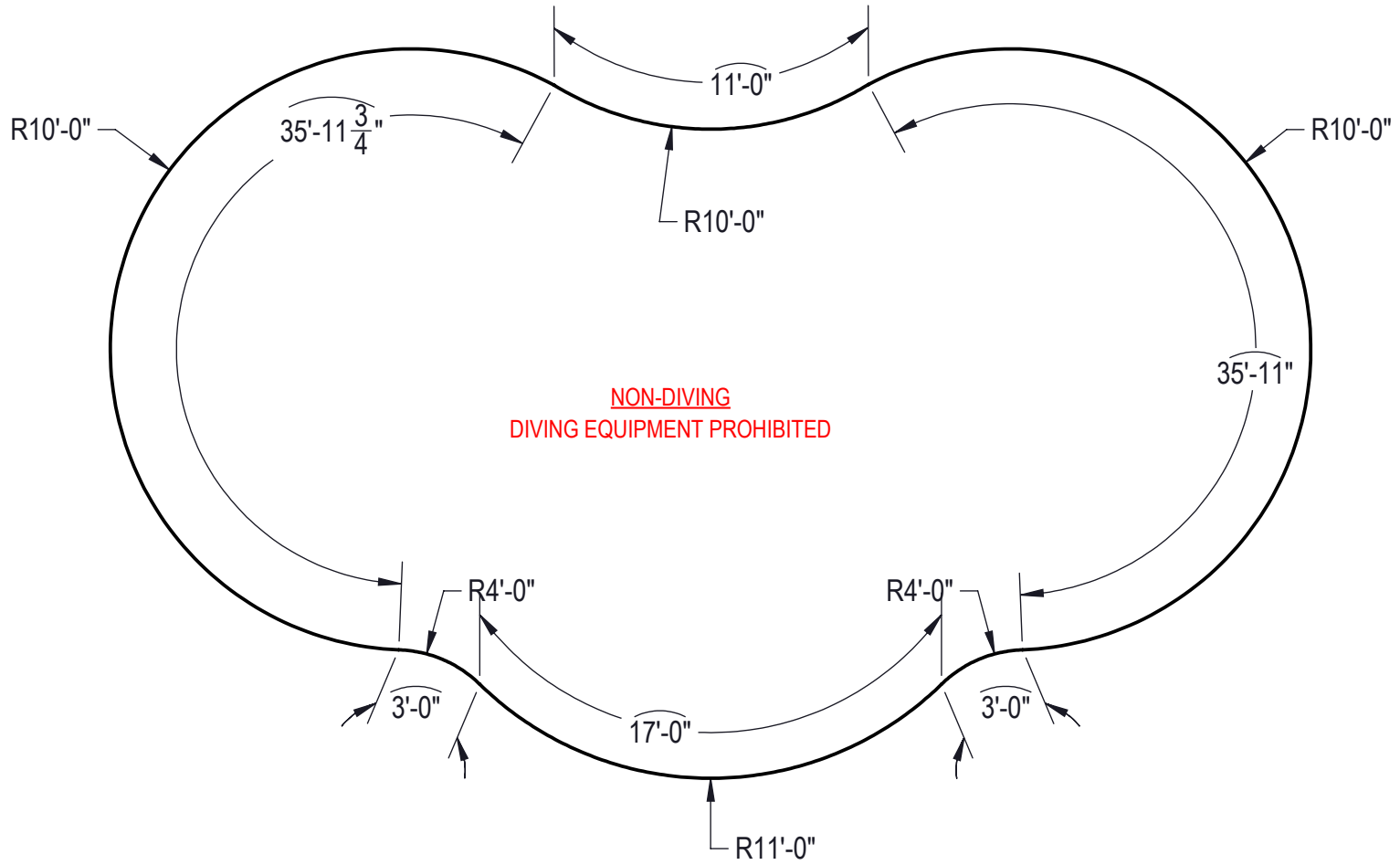
THIS DOCUMENT IS FOR ILLUSTRATIVE PURPOSES ONLY. THE DEALER OR CONTRACTOR WHO SELLS OR INSTALLS YOUR POOL IS AN INDEPENDENT CONTRACTOR AND IS NOT AN AGENT OF THE MANUFACTURER. THE CONSTRUCTION METHODS ILLUSTRATED HERE ARE SUGGESTIONS AND APPLY ONLY TO NORMAL GROUND CONDITIONS. THERE MAY BE ADDITIONAL PRECAUTIONS AND/OR METHODS OF CONSTRUCTION. PROPER INSTALLATION IS THE RESPONSIBILITY OF THE DEALER/BUILDER/CONTRACTOR.

ENGINEERING DRAWING NUMBER: 00016926	WEIGHT: lbs	UNLESS OTHERWISE SPECIFIED DIMENSIONS ARE IN INCHES TOLERANCES DECIMALS: X ± .1 XX ± .01 XXX ± .001 XXXX ± .0005 ANGULAR: X ± 0.5 THIRD ANGLE PROJECTION 	DESIGNED BY: BUMPHREY	CREATION DATE: 2/15/2012	HYDRA POOLS
	VOLUME: Inch ³		DETAILED BY: BUMPHREY	DETAILED DATE: 12/12/2017	
	COLOR:		LAST REVISED BY: bumphrey	LAST REVISED DATE: 12/12/2017	TITLE: LAYOUT, 20' X 40' LAGOON, RIGHT, 6' DEEP, HS112N, LIGHT, 2-1084, 3-INLET, 600 SERIES
	HEAT TREAT:		MATERIAL:		
	FINISH:		PART NUMBER: 00016926		
TEXTURE:			SHEET: 2 OF 4	SIZE: A	



**NON-DIVING
 DIVING EQUIPMENT PROHIBITED**

ENGINEERING DRAWING NUMBER: 00016926	WEIGHT:	UNLESS OTHERWISE SPECIFIED DIMENSIONS ARE IN INCHES TOLERANCES DECIMALS: X ± .1 XX ± .01 XXX ± .001 XXXX ± .0005 ANGULAR: X ± 0.5 THIRD ANGLE PROJECTION 	DESIGNED BY:	CREATION DATE:	HYDRA POOLS		
	lbs		BUMPHREY	3/20/2013			
	VOLUME:		DETAILED BY:	DETAILED DATE:			
	Inch ³		BUMPHREY	12/12/2017	LAST REVISED BY:	LAST REVISED DATE:	TITLE: LAYOUT, 20' X 40' LAGOON, RIGHT, 6' DEEP, HS112N, LIGHT, 2-1084, 3-INLET, 600 SERIES
	COLOR:		bumphrey	12/12/2017	MATERIAL:		
	NA						
	HEAT TREAT:						
NA				PART NUMBER:	SCALE:	SIZE:	
FINISH:				00016926	1:128	A	
TEXTURE:					3 OF 4		
NA							



NON-DIVING
DIVING EQUIPMENT PROHIBITED

ENGINEERING DRAWING NUMBER: 00016926	WEIGHT:	UNLESS OTHERWISE SPECIFIED DIMENSIONS ARE IN INCHES TOLERANCES DECIMALS: X ± .1 XX ± .01 XXX ± .001 XXXX ± .0005 ANGULAR: X ± 0.5 THIRD ANGLE PROJECTION 	DESIGNED BY:	CREATION DATE:	HYDRA POOLS TITLE: LAYOUT, 20' X 40' LAGOON, RIGHT, 6' DEEP, HS112N, LIGHT, 2-1084, 3-INLET, 600 SERIES		
	VOLUME:		Detailed by:	DETAILED DATE:			
	Inch ³		BUMPHREY	12/12/2017			
	COLOR:		LAST REVISED BY:	LAST REVISED DATE:			
	HEAT TREAT:		bumphrey	12/12/2017	PART NUMBER:	SCALE:	SIZE:
	FINISH:		MATERIAL:		00016926	1:128	A
TEXTURE:				SHEET:			
				4 OF 4			