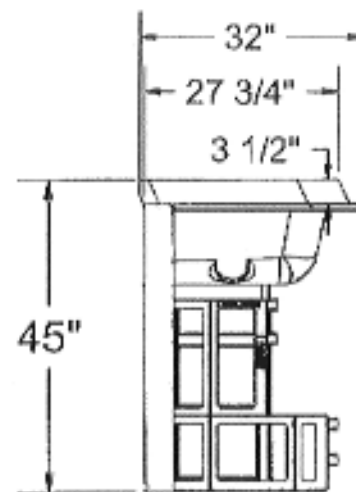
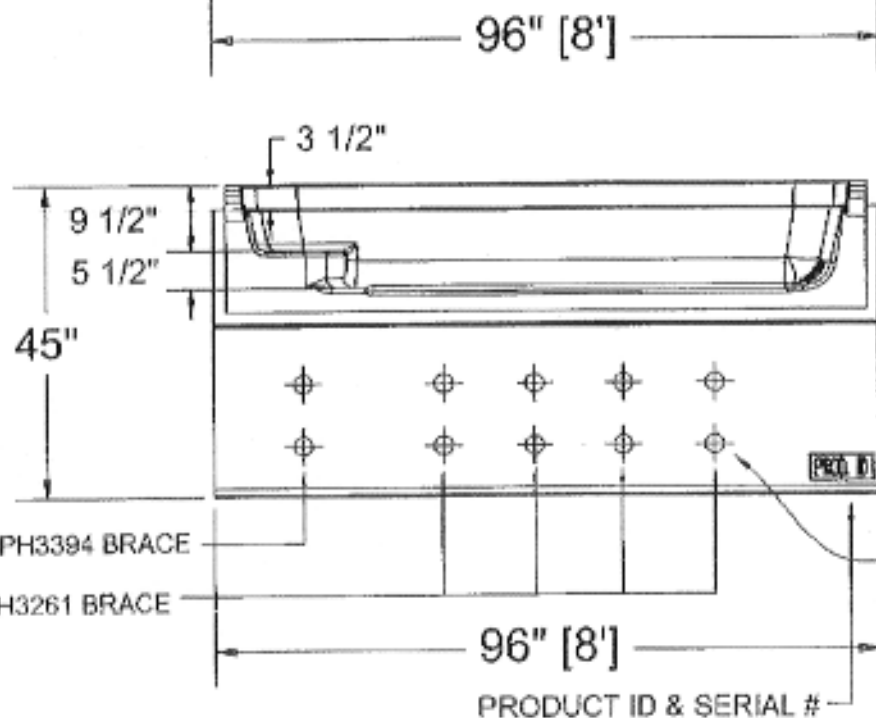


REPLACEMENT PARTS:  
 -PH3001 FACEPLATE REPLACEMENT KIT  
 -PH3010 FACEPLATE CORNER PROTECTOR

STEP KIT INCLUDES BRACES:  
 - (4) PH3261 - SUNLEDGE BRACE  
 - (1) PH3394 - ROMAN / SUNLEDGE BRACE  
 - (10) MH303 S.S. SCREWS SEE NOTE



A handrail is recommended to be installed with every step.

Each tread must be supported.

(1) PH3394 BRACE

(4) PH3261 BRACE

SECURE WITH 10 S.S. FLAT HEAD SCREWS (MH303) INCLUDED THRU FACE OF SUNLEDGE INTO BRACES (10 LOCATIONS)

PRODUCT ID & SERIAL #

CONFIDENTIAL INFORMATION

ALL MATERIAL CONTAINED HEREIN IS THE EXCLUSIVE PROPERTY OF LATHAM INTERNATIONAL, AND MAY NOT BE COPIED OR DUPLICATED IN ANY FORM OR USED FOR ANY COMMERCIAL PURPOSE WITHOUT THE EXPRESSED WRITTEN CONSENT OF LATHAM INTERNATIONAL.

Dimensions shown are approximate and are for planning only.

# THERMOPLASTIC 8' STR. STANDARD SUNLEDGE