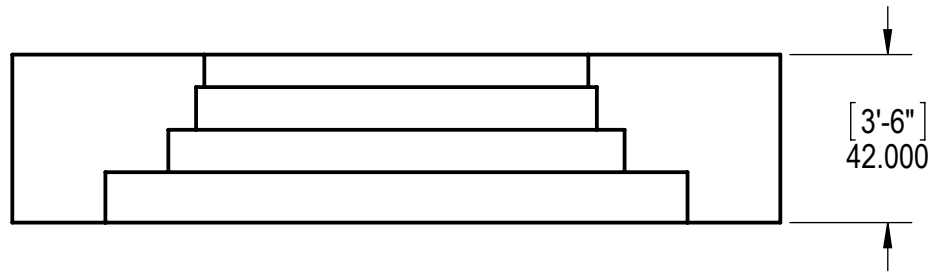
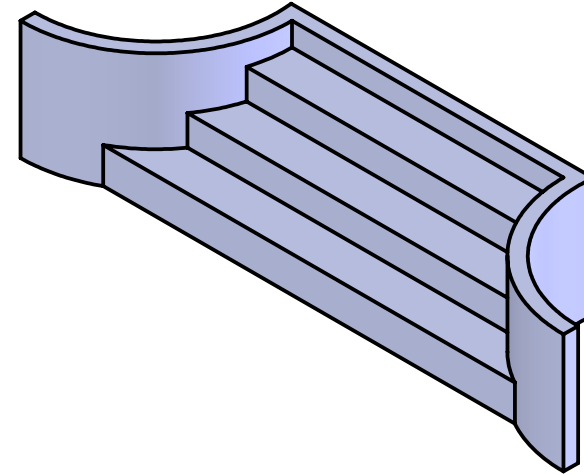
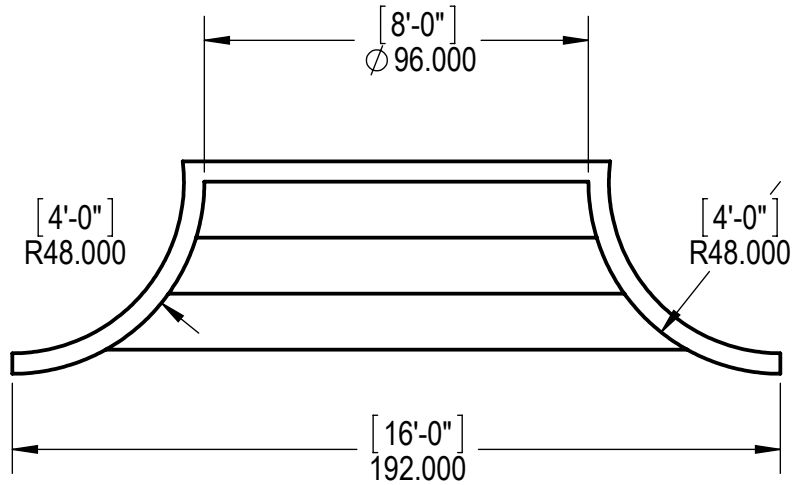
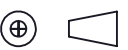


REVISION HISTORY				
REV.	DESCRIPTION	DATE	ECO	BY
A	RELEASED FOR QUOTE	12/15/14		RCOLBOCH



THIS DOCUMENT IS FOR ILLUSTRATIVE PURPOSES ONLY.

ENGINEERING DRAWING NUMBER: Q00000281	WEIGHT: 5668.183 lbs	UNLESS OTHERWISE SPECIFIED DIMENSIONS ARE IN INCHES TOLERANCES DECIMALS: X ± 0.1 XX ± 0.01 XXX ± 0.005 XXXX ± 0.0005 ANGULAR: X ± 0.5 THIRD ANGLE PROJECTION 	DESIGNED BY: JBOSSEDET	CREATION DATE: 12/11/14	SAMSON STEEL	
	VOLUME: 156894.821 Inch ³		DETAILED BY: RCOLBOCH	DETAILED DATE: 10/05/12		
	COLOR: NA		LAST REVISED BY: rcolboch	LAST REVISED DATE: 12/15/14	TITLE: STEP, 16', 4' REVERSE RADIUS OUTSIDE, 3 TREAD, WITH LINER TRACK	
	HEAT TREAT: NA		MATERIAL: Material <not specified>			