

8' HOT SHOT SKEEBALL TABLE - NG2015

Spec Sheet



Electronic Scorer mounted on Backboard with digital readout in front. Uses 4 AA batteries.



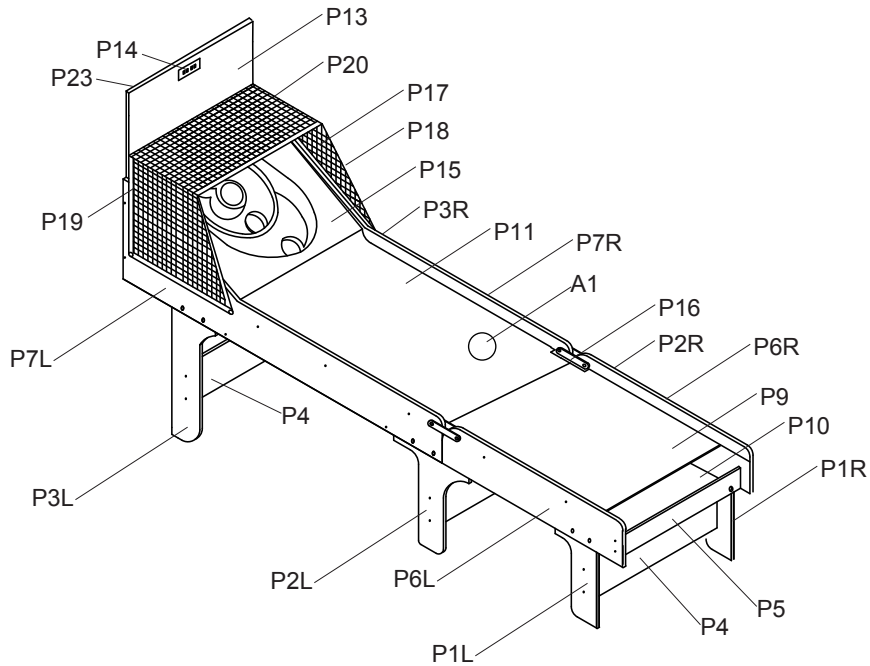
Mounted reset button with approx. 10' wire to attach to scoring harness.



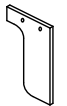
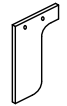
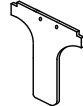









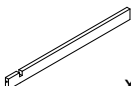
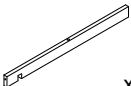

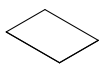

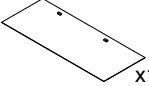


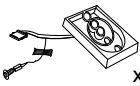
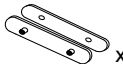
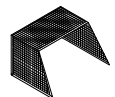

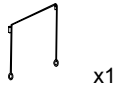



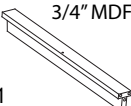
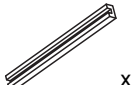
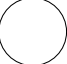
Front and back sections hinge together using metal hinge sets and interlocking rubber toothed gears.

8' HOT SHOT SKEEBALL TABLE - NG2015

Spec Sheet



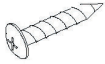

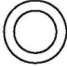







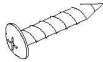


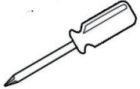
PARTS

P1L NGP5856 16"x 8" 1/2" MDF  x1 LEFT FRONT LEG	P1R NGP5857 16"x 8" 1/2" MDF  x1 RT. FRONT LEG	P2L NGP5858 19"x 10" 1/2" MDF  x1 LEFT MID. LEG	P2R NGP5859 19"x 10" 1/2" MDF  x1 RIGHT MID. LEG	P3L NGP5860 24"x 8" 1/2" MDF  x1 LEFT BACK LEG	P3R NGP5861 24"x 8" 1/2" MDF  x1 RT. BACK LEG	P4 NGP5862 22.5"x 7" 1/2" MDF  x3 SPREADER
P5 NGP5863 23.5"x 4.5" 5/8" MDF  x1 FRONT END APRON	P6L NGP5864 34.5"x 5.75" 5/8" MDF  x1 LEFT FRONT SIDE APRON	P6R NGP5865 34.5"x 5.75" 5/8" MDF  x1 RIGHT FRONT SIDE APRON	P7L NGP5866 61"x 15.75" 5/8" MDF  x1 LEFT BACK SIDE APRON	P7R NGP5867 61"x 15.75" 5/8" MDF  x1 RIGHT BACK SIDE APRON	P8A NGP5868 23.5"x 1" 1" MDF  x1 CROSSBEAM	P8B NGP5869 23.5"x 1" 1" MDF  x2 CROSSBEAM
P9 NGP5870 28.5" x 24" 1/4" MDF  x1 FRNT. TOP PANEL	P10 NGP5871 33" x 24" 1/8" MDF  x1 FRNT. BTM. PANEL	P11 NGP5872 36" x 24" 1/4" MDF  x1 BACK TOP PANEL	P12 NG5873 61" x 24" 1/8" MDF  x1 BACK BTM. PANEL	P13 NG5874 23.5" x 31.5" 3/4" MDF  x1 BACKBOARD	P14 NG5875 7" x 3" X 1.5" 4: AA BATTERIES  x1 ELEC. SCORER	P15 NG5876 23.5" x 26" x 2.5" w/ HARNESS & RE-SET  x1 TARGET BOARD
P16 NGP5877 3.5" x 1.125"  x2 HINGE SET	P17 NGP5878 23" x 65" NYLON  x1 NET	P18 NGP5879 20.75" x 25.25" 1/4" SOLID STEEL  x1 NET FRAME FRNT.	P19 NG5880 10.25" x 25.25" 1/4" SOLID STEEL  x1 NET FRAME BACK	P20 NG5881 20.25" x 1.25" 1/4" SOLID STEEL  x2 NET SPACER BAR	P21A NG5882 15.75" x 3" 5/8" MDF  x1 SUPPORT PANEL	P21B NG5883 15.75" x 3" 5/8" MDF  x1 SUPPORT PANEL
P22 NGP5884 22.5" x 2.75" x 2.25" 3/4" MDF  x1 "L" SUPRT. PANEL	P23 NGP5885 14.25" x 1.5" 1/2" MDF  x1 COVER PANEL	A1 NGP5886 2.5" DIA. ORANGE HARD RUBBER  x6 BALL	<p><i>All dimensions given are approx. and represent the size at the widest point of that dimension.</i></p>			

8' HOT SHOT SKEEBALL TABLE - NG2015

Spec Sheet

HARDWARE PACK - NGP5887

H1	x36	H2	x12	H3	x12	H4	x4	H5	x4	H6	x4	H7	x8
													
1-1/4" SCREW		5/16" BOLT		5/16" WASHER		1/4"X1-1/4" BOLT		1/4"X1" BOLT		1/4" FLAT WASHER		1/4" FLAT WASHER	
H8	x3	H9	x4	H10	x6	H11	x3	H12	x4	T1	x1	ADDITIONAL EQUIPMENT REQUIRED:	
													
3/4" SCREW		3/8" SCREW		1-1/4" FLAT SCREW		1-1/2" SCREW		3/4" FLAT SCREW		ALLEN WRENCH		PHILLIPS HEAD SCREWDRIVER	