

# SURE SHOT DUAL ELECTRONIC BASKETBALL GAME ASSEMBLY INSTRUCTIONS



Please Do Not Hesitate to  
Contact Our Consumer Hotline  
at 800-759-0977  
with Any Questions That May  
Arise During Assembly or  
Use of This Product!

NG2233BL

**THANK YOU!**


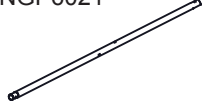



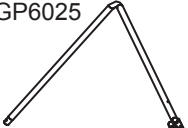


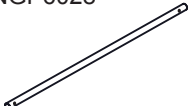

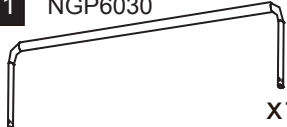


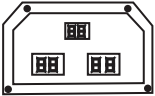

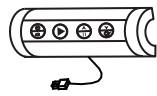

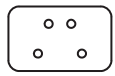
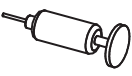

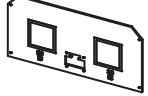









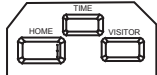
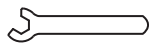
Thank you for purchasing this product.

We work around the clock and around the globe to ensure that our products maintain the highest possible quality. However, in the rare case of issues during assembly or use of this product, please contact our Consumer Hotline at **800-759-0977** for immediate assistance before contacting your retailer.

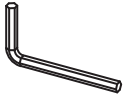

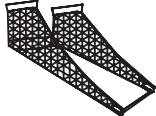
Please read the warranty information at the back of these assembly instructions for further details.

**IMPORTANT! PLEASE READ THESE ASSEMBLY INSTRUCTIONS  
IN ENTIRETY BEFORE ASSEMBLING YOUR PRODUCT.**

# PARTS IDENTIFIER (NOT TO SCALE)


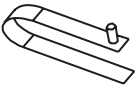


<p>1 NGP6020</p>  <p>x2</p> <p>Tube 1 Ø22x580x440mm</p>	<p>2 NGP6021</p>  <p>x2</p> <p>Tube 2 Ø22x685mm</p>	<p>3 NGP6022</p>  <p>x1</p> <p>Tube 3 Ø22x890mm</p>	<p>4 NGP6023</p>  <p>x1</p> <p>Tube 4 Ø22x890mm</p>
<p>5 NGP6024</p>  <p>x1</p> <p>Tube 5 Ø22x755x580mm</p>	<p>6 NGP6025</p>  <p>x1</p> <p>Tube 6 Ø22x755x580mm</p>	<p>7 NGP6026</p>  <p>x2</p> <p>Tube 7 Ø22x830mm</p>	<p>8 NGP6027</p>  <p>x2</p> <p>Tube 8 Ø22x835mm</p>
<p>9 NGP6028</p>  <p>x2</p> <p>Tube 9 Ø22x740mm</p>	<p>10 NGP6029</p>  <p>x2</p> <p>Tube 10 Ø22x540x385mm</p>	<p>11 NGP6030</p>  <p>x1</p> <p>Tube 11 Ø22x1065x520mm</p>	<p>12 NGP6031</p>  <p>x2</p> <p>Tube 12 Ø12.7x1070mm</p>
<p>13 NGP2217</p>  <p>x4</p> <p>Basketball 7" Dia.</p>	<p>14 NGP6033</p>  <p>x1</p> <p>Electronic Scorer</p>	<p>15 NGP6034</p>  <p>x2</p> <p>Switch Sensor</p>	<p>16 NGP6035</p>  <p>x1</p> <p>Control Box with Wire</p>
<p>17 NGP6036</p>  <p>x2</p> <p>Rim</p>	<p>18 NGP6037</p>  <p>x2</p> <p>Rim Support Plate</p>	<p>19 NGP6038</p>  <p>x1</p> <p>Inflation Pump with Needle</p>	<p>20 NGP6039</p>  <p>x2</p> <p>End Cap</p>
<p>21 NGP6040</p>  <p>x1</p> <p>Backboard</p>	<p>22 NGP6041*</p>  <p>x64</p> <p>M6 Washer</p>	<p>23 NGP6041*</p>  <p>x16</p> <p>M6 x 20mm Bolt</p>	<p>24 NGP6041*</p>  <p>x6</p> <p>M6 x 30mm Bolt</p>
<p>25 NGP6041*</p>  <p>x4</p> <p>M6 x 42mm Bolt</p>	<p>26 NGP6041*</p>  <p>x4</p> <p>M6 x 48mm Bolt</p>	<p>27 NGP6041*</p>  <p>x2</p> <p>M6 x 35mm Bolt</p>	<p>28 NGP6041*</p>  <p>x32</p> <p>M6 Nut</p>
<p>29 NGP6041*</p>  <p>x4</p> <p>3.5 x 10mm Bolt</p>	<p>30 NGP6041*</p>  <p>x2</p> <p>4 x 28mm Bolt</p>	<p>31 NGP6042</p>  <p>x1</p> <p>Electronic Scorer Face Plate</p>	<p>32 NGP6041*</p>  <p>x1</p> <p>Wrench</p>

# PARTS IDENTIFIER (NOT TO SCALE)

<b>33</b> NGP6041*  x1 Allen Key	<b>34</b> NGP6043  x2 Self-Stick Strap	<b>35</b> NGP6044  x1 Ball Return Net
--	--	--

\*Items included in Hardware Pack, NGP6041

## PRE-INSTALLED PARTS

<b>A1</b>  x2 Net	<b>A2</b>  x9 Spring Lock	<b>A3</b>  x2 Plastic Pole Insert	<b>A4</b>  x2 Lock Pin
---	---	--	--

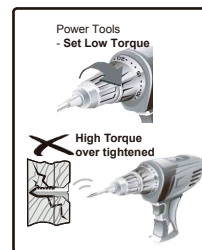
For replacement parts please call 800-759-0977.

## TOOLS REQUIRED

- Phillips Screwdriver - Not included
- Standard (Flat Head) Screwdriver - Not included
- Allen Wrench - Included

### CAUTION!

Electric Screwdrivers may be helpful during assembly; however, please set a low torque and use extreme caution.



Strong Adults Needed



No Children in Assembly Area



Keep away from pets



Do not use or keep product outdoors. For indoor use only. No wet/humid conditions.

## ASSEMBLY TIPS

1. Find a clean, level surface to begin the assembly of your basketball game. We recommend that two adults work together to assemble this game. You may want to carefully cut or tear the four corners of the box so that the bottom of the box can be used as your work surface.
2. Remove all of the contents from box and verify that you have all of the parts shown on the Parts Identifier before you begin assembly. **Note: Some parts may be pre-installed or pre-assembled.**
3. Some figures or drawings may not look exactly like your product. Please read and understand the text before beginning each assembly step.
4. **When installing parts that have more than one screw or bolt, hand tighten all screws or bolts in place before final tightening with screwdriver or hex wrench.**
5. Electric screwdrivers may be helpful during assembly; however, please set a **low torque** and use extreme caution because screws may be stripped or overtightened, resulting in damaged parts, if the electric screwdriver's torque is set too high.

### **WARNINGS!**

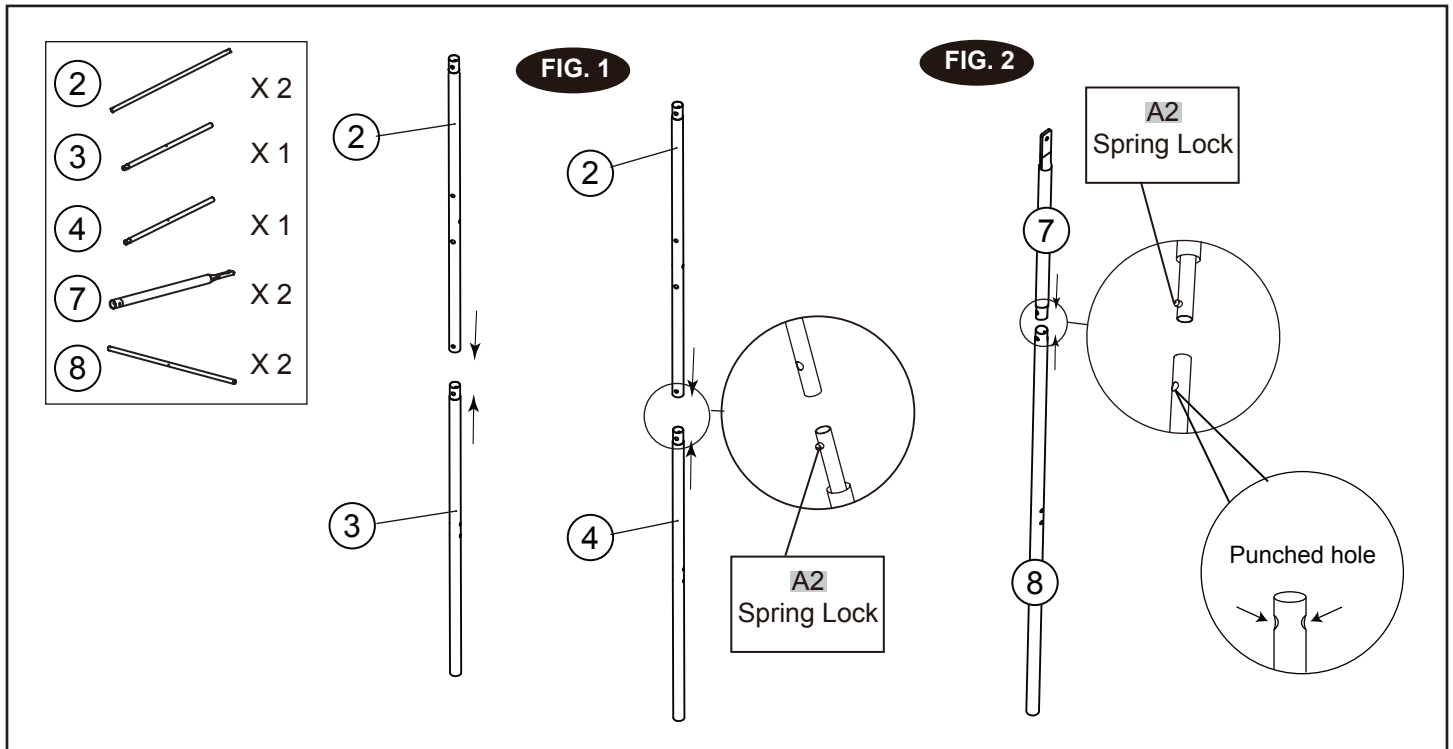
READ AND FOLLOW ALL ASSEMBLY, OPERATION AND SAFETY INSTRUCTIONS CAREFULLY.

**CHOKER HAZARD - THIS TABLE CONTAINS SMALL BALLS AND PARTS  
NOT SUITABLE FOR CHILDREN UNDER 3 YEARS OF AGE.**

# ASSEMBLY INSTRUCTIONS

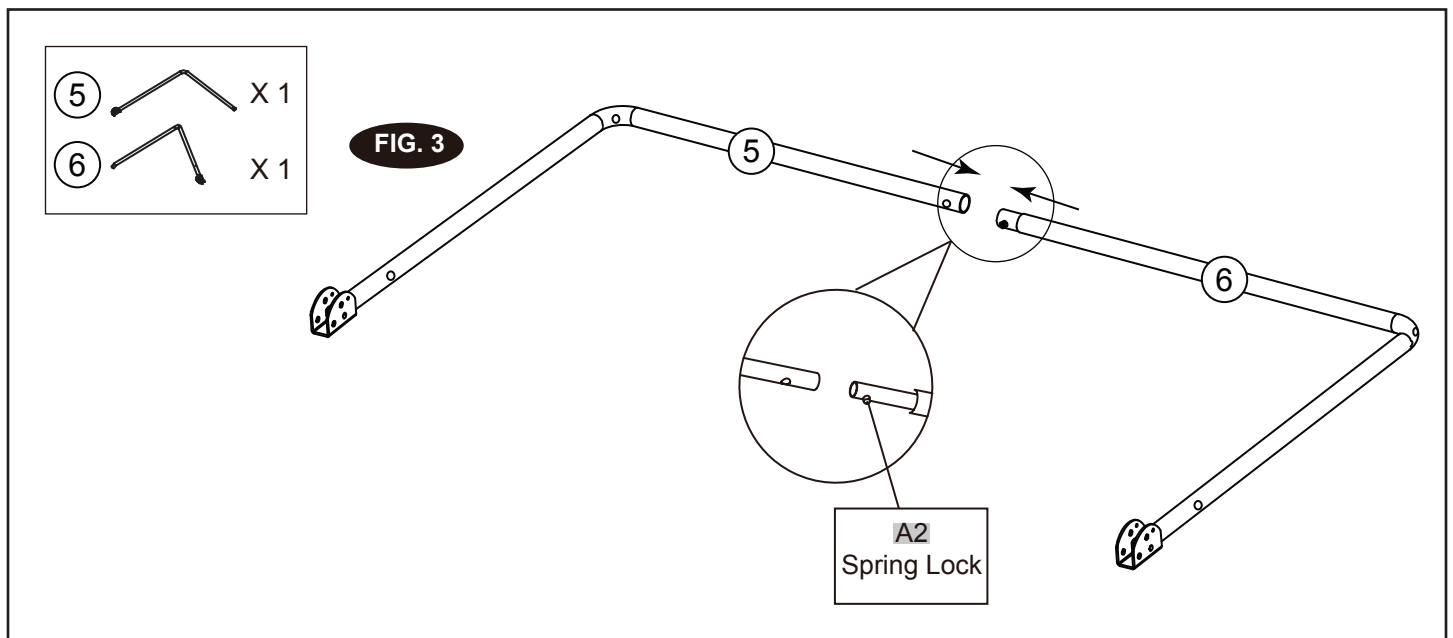
## FIG. 1 & 2

1. Attach Tubes 2 (#2) to Tube 3 and Tube 4 (#3 & #4) using spring lock (pre-installed) as shown in FIG.1.
2. Attach Tubes 7 (#7) to Tubes 8 (#8) using spring lock (pre-installed) as shown in FIG.2



## FIG. 3

3. Attach Tube 5 and Tube 6 (#5 & #6) together using spring lock (pre-installed) as shown in FIG.3.

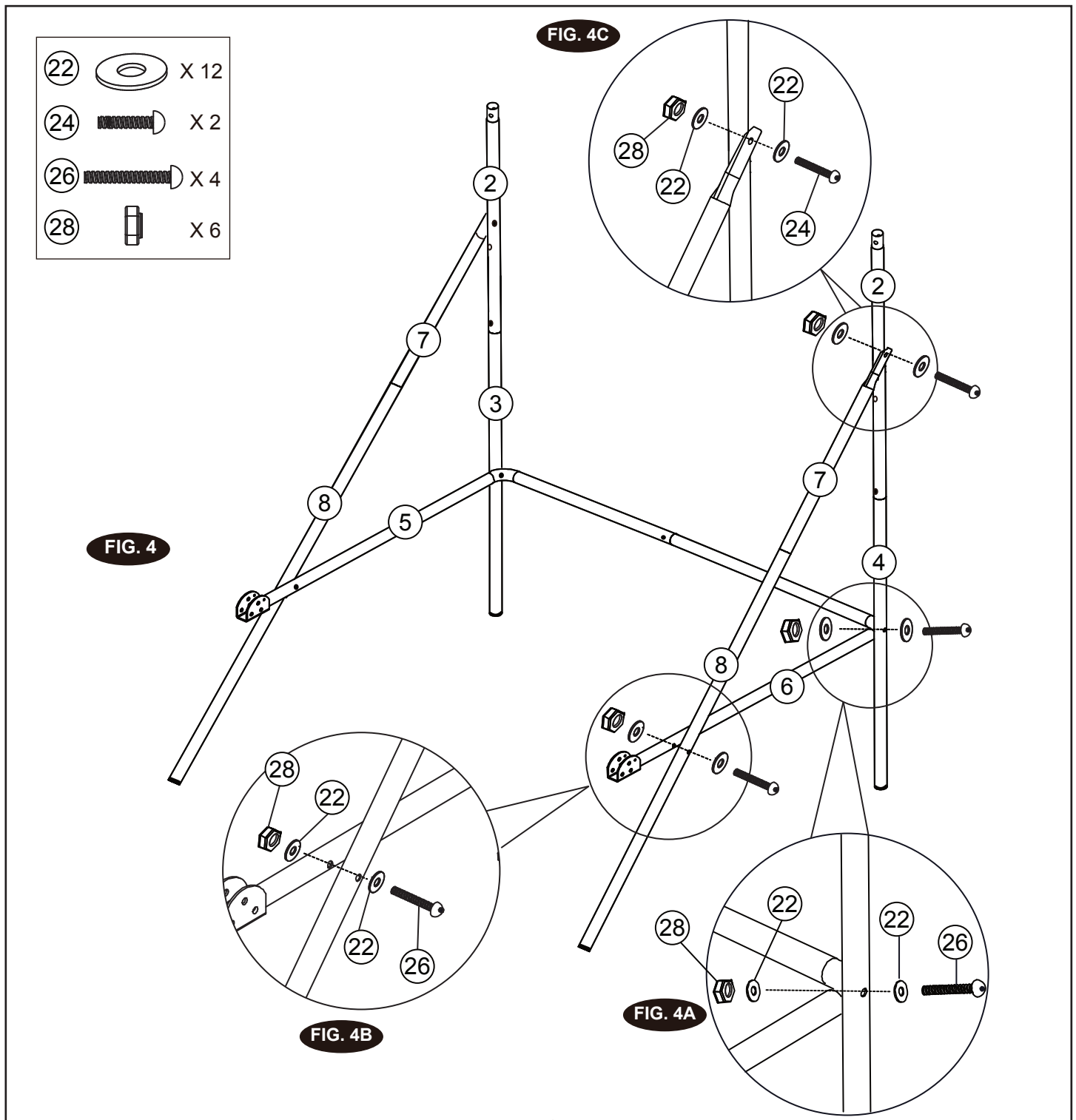


# ASSEMBLY INSTRUCTIONS (CONT.)

**FIG. 4**

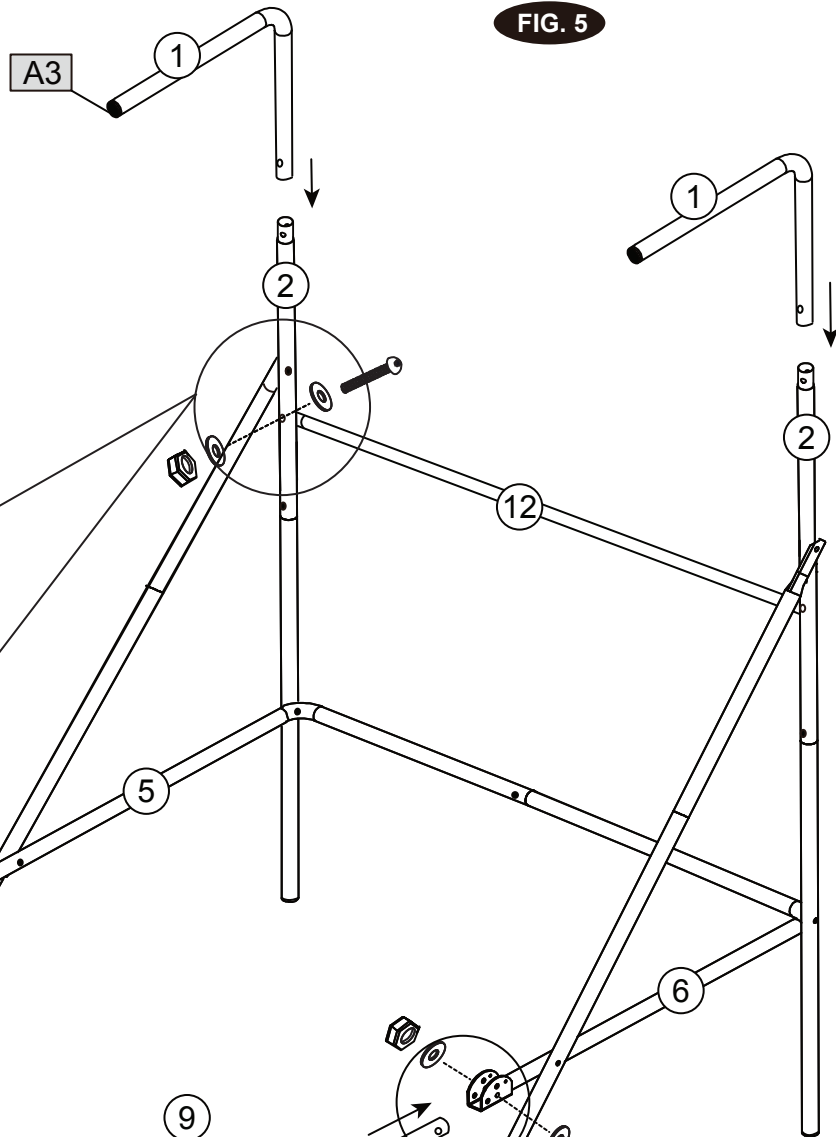
4. Attach Tube 5 and Tube 6 (#5 & #6) to Tube 3 and Tube 4 (#3 & #4) using Bolts (#26), Washers (#22) and Nuts (#28), and then attach Tube 5 and Tube 6 (#5 & #6) to Tubes 8 (#8) using Bolts (#26), Washers (#22) and Nuts (#28) as shown in FIG. 4, 4A and 4B.

5. Attach Tubes 7 and Tubes 8 (#7 & #8) to Tube 2 (#2) using Bolt (#24), Washers (#22) and Nuts (#28) as shown in FIG. 4C, repeat this step for other side. **NOTE: Make sure the spring lock is facing down.**

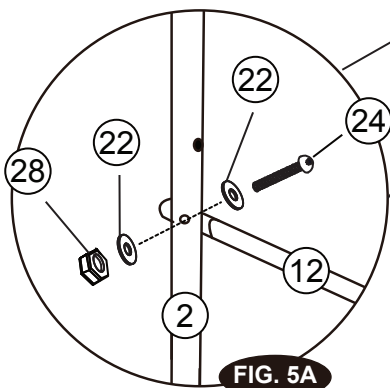


# ASSEMBLY INSTRUCTIONS (CONT.)

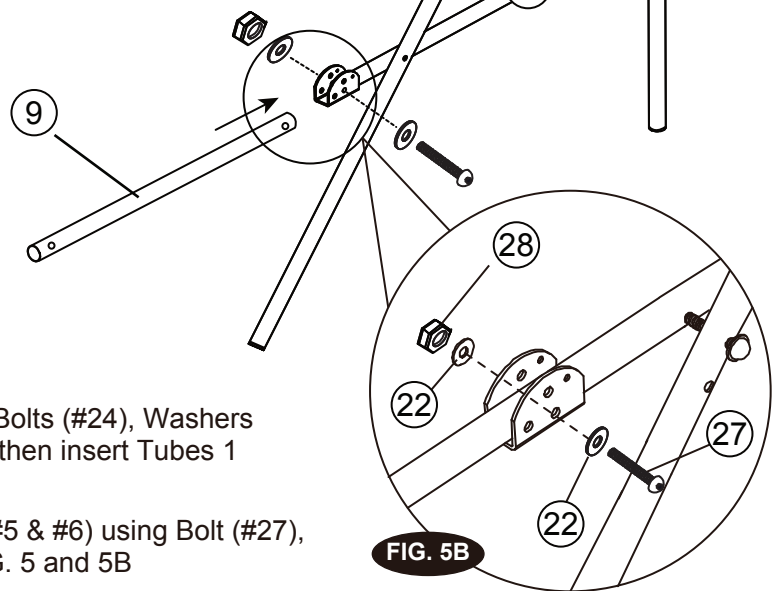
1		X 2
9		X 2
12		X 1
22		X 8
24		X 2
27		X 2
28		X 4



**FIG. 5**



**FIG. 5A**



**FIG. 5B**

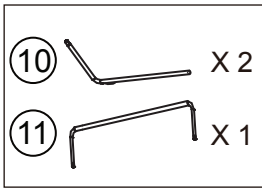
**FIG. 5**

6. Attach Tube 12 (#12) to Tubes 2 (#2) using Bolts (#24), Washers (#22) and Nuts (#28) as shown in Fig. 5A, and then insert Tubes 1 (#1) onto Tubes 2 (#2) as shown in FIG. 5.

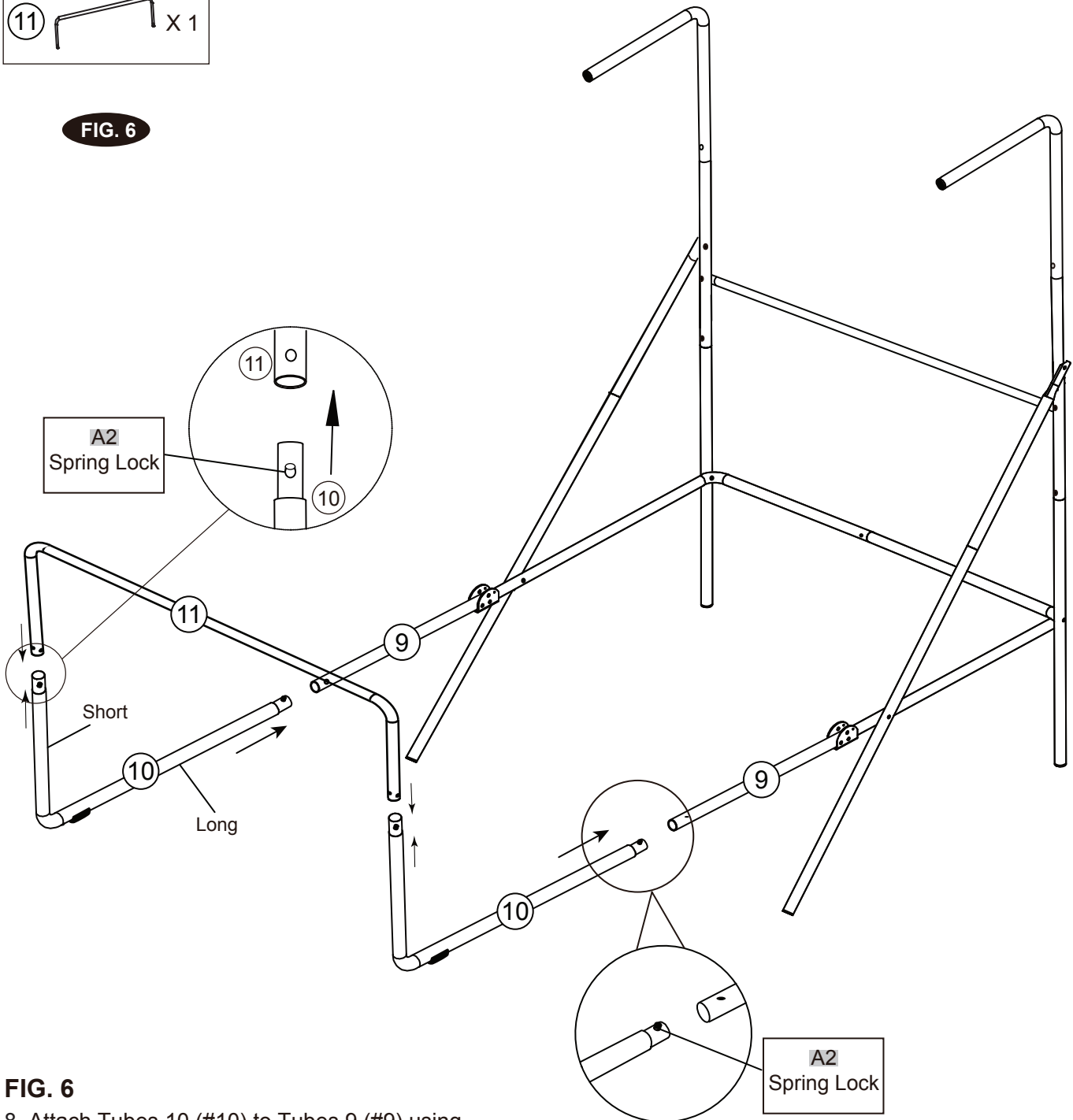
7. Attach Tubes 9 (#9) to Tube 5 and Tube 6 (#5 & #6) using Bolt (#27), Washers (#22) and Nuts (#28) as shown in FIG. 5 and 5B



# ASSEMBLY INSTRUCTIONS (CONT.)



**FIG. 6**



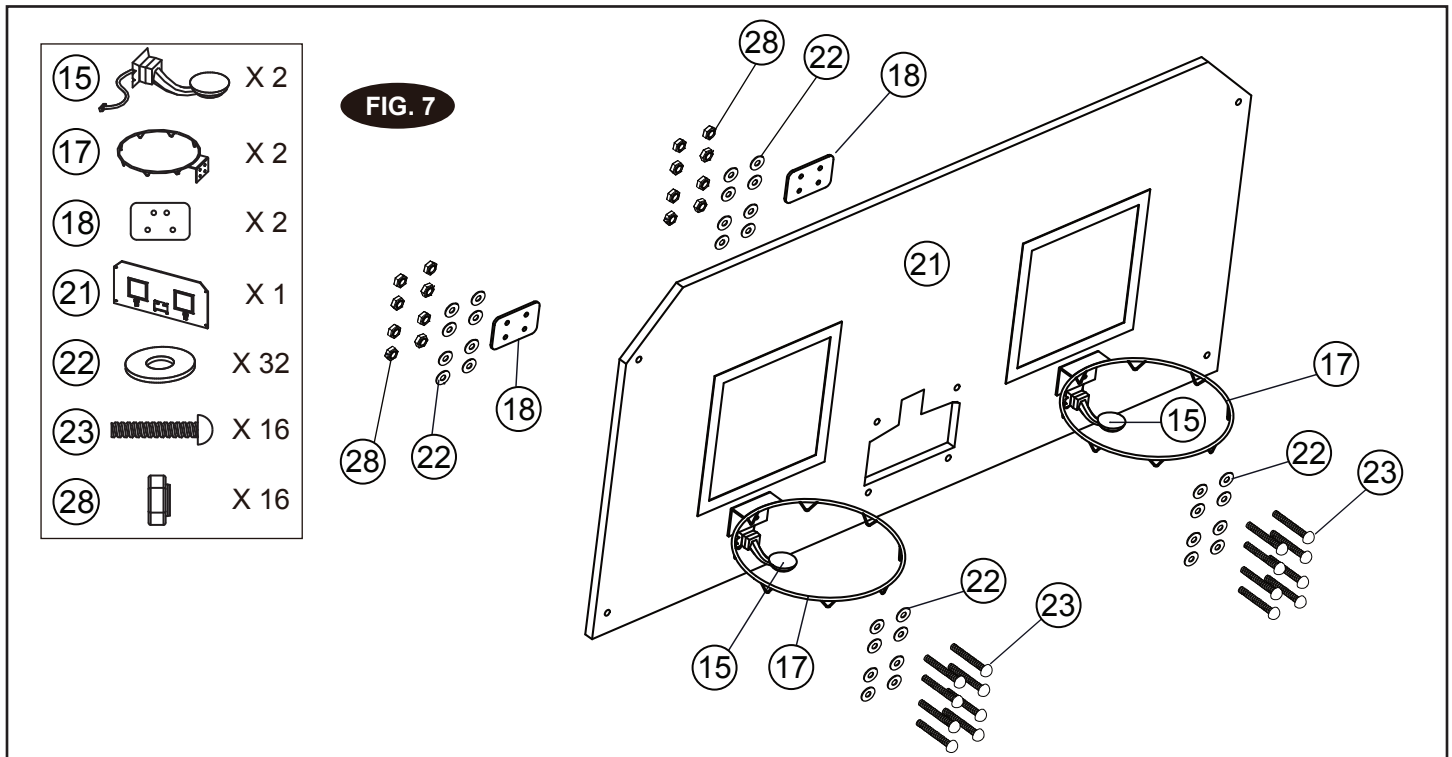
**FIG. 6**

8. Attach Tubes 10 (#10) to Tubes 9 (#9) using spring locks (pre-installed), and then insert Tube 11 (#11) onto Tubes 10 (#10) using spring locks (pre-installed) as shown in FIG. 6.

# ASSEMBLY INSTRUCTIONS (CONT.)

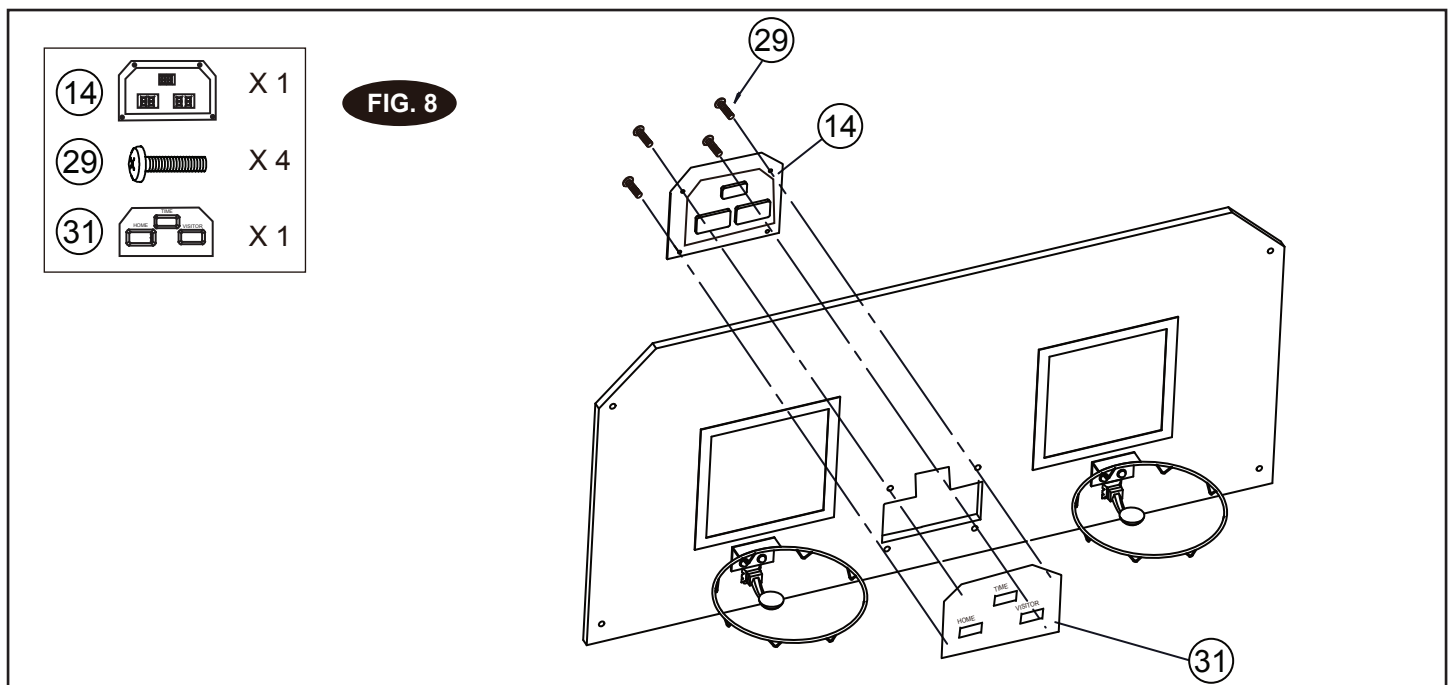
**FIG. 7**

9. Attach Rims (#17) and Rim Support Plates (#18) to the Backboard (#21) using the Bolts (#23), Washers (#22) and Nuts (#28). Attach the Switch Sensors (#15) to the Backboard (#21) using the Bolts (#23), Washers (#22) and Nuts (#28).  
**NOTE: Make sure that you use washer on both sides of the backboard as shown in FIG. 7.**



**FIG. 8**

10. Attach the Electronic Scorer Face Plate (#31) to the front of Backboard and connect with the Electronic Scorer (#14) using Bolts (#29) as shown in FIG. 8.

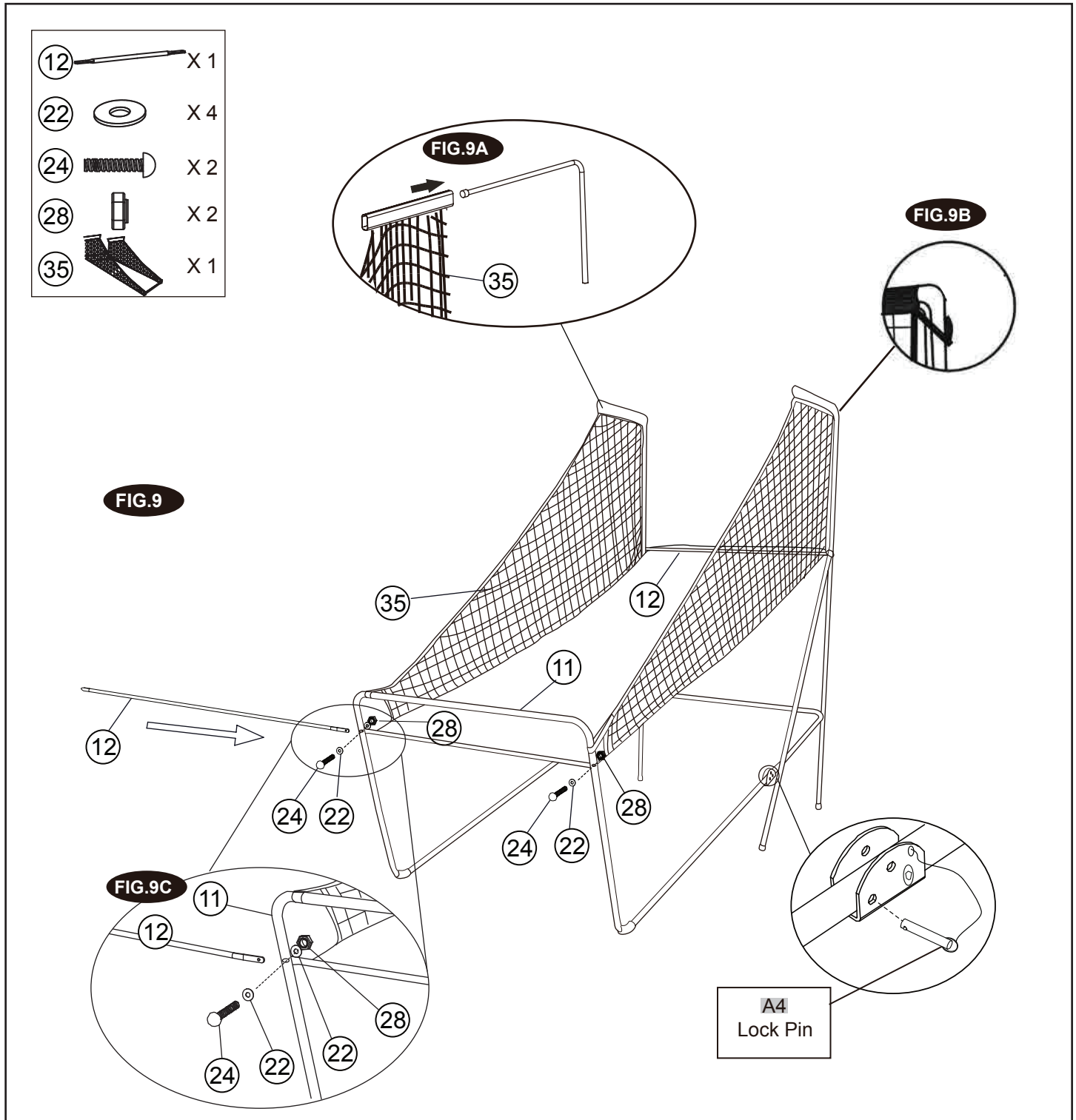


# ASSEMBLY INSTRUCTIONS (CONT.)

**FIG. 9**

11. Slide elastic straps and sleeve of Ball Return Net (#35) onto Top Tubes 1 (#1) as shown in FIG. 9A & 9B.

12. Slide Tube 12 (#12) through the sleeve on the front of the Ball Return Net (#35), attach the left side first using Bolts (#24), Washers (#22) and Nuts (#28) as shown in FIG. 9C. Follow the same procedure on the right side.

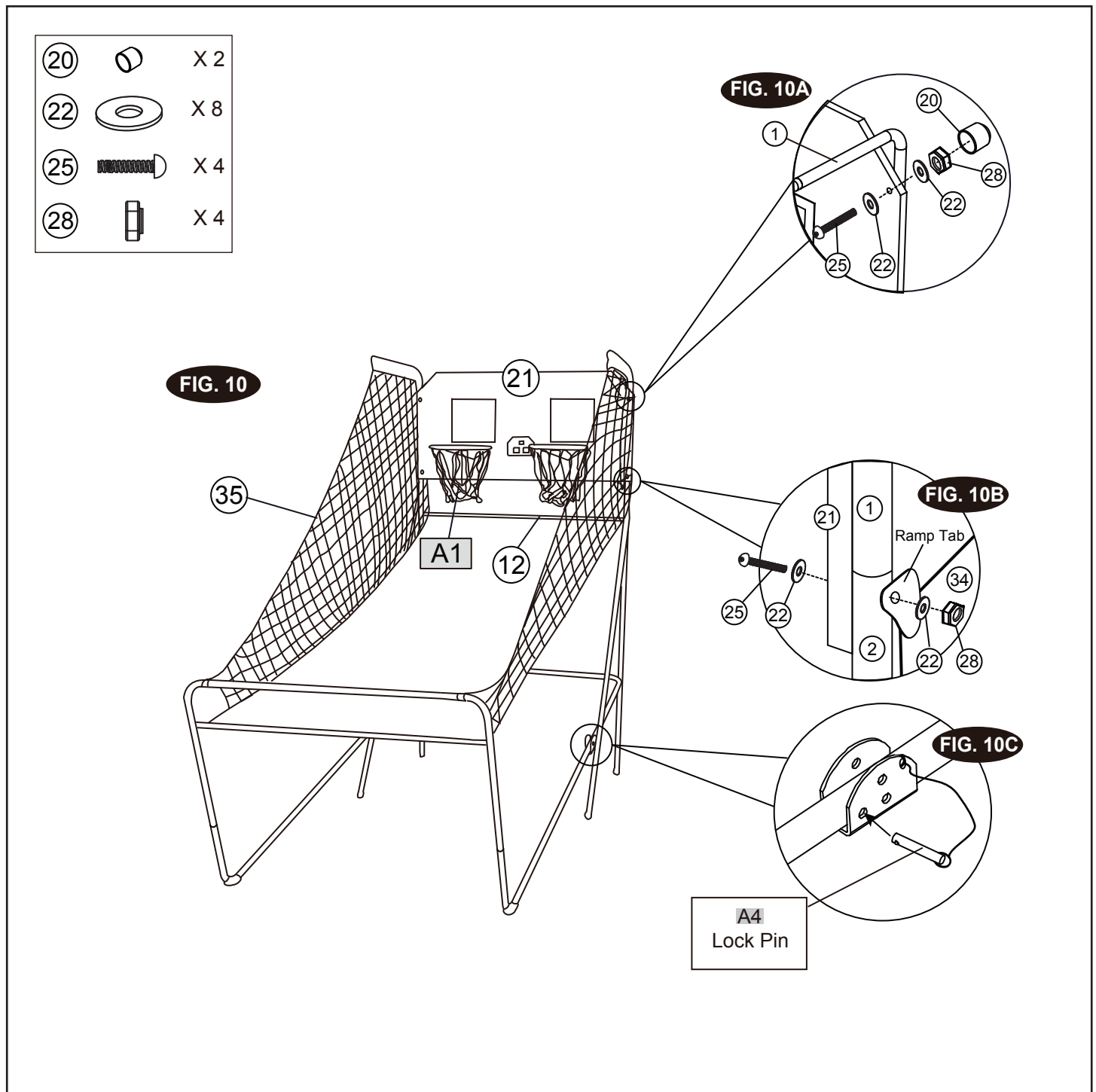


# ASSEMBLY INSTRUCTIONS (CONT.)

**FIG. 10**

13. With the help of another adult, attach the Backboard (#21) to Top Tubes 1 (#1) using Bolts (#25), Washers (#22) and Nuts (#28) and End Caps (#20) as shown in FIG.10A. At each bottom hole of the backboard, attach the ramp tabs of Ball Return Net (#35) using Bolts (#25), Washers (#22), Nuts (#28) as shown in FIG.10B.

14. Connect the Lock Pins (#A4) to Tube 5 and Tube 6 (#5 & #6) and insert them into Tube 5 and Tube 6 (#5 & #6) as shown in FIG.10C.

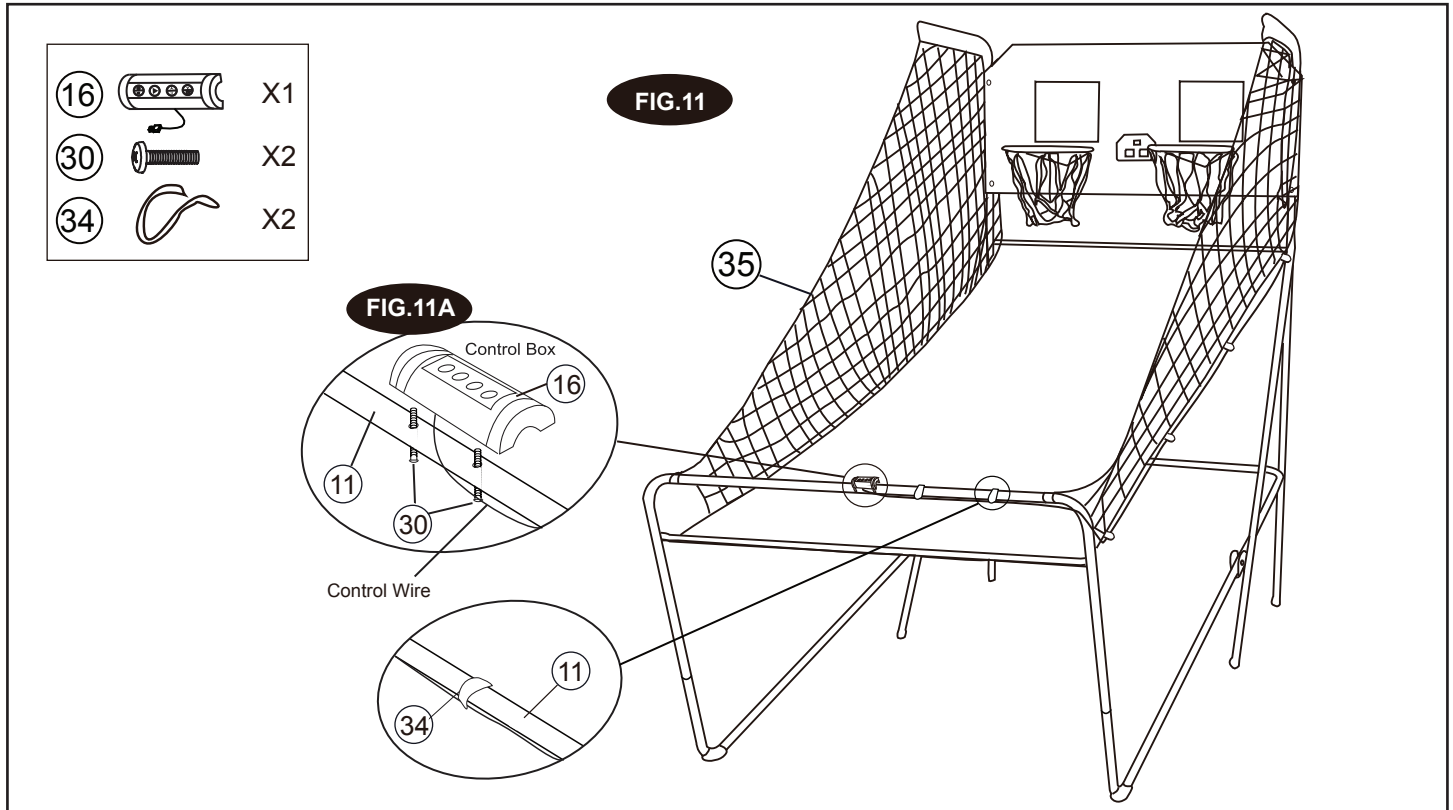


# ASSEMBLY INSTRUCTIONS (CONT.)

**FIG. 11**

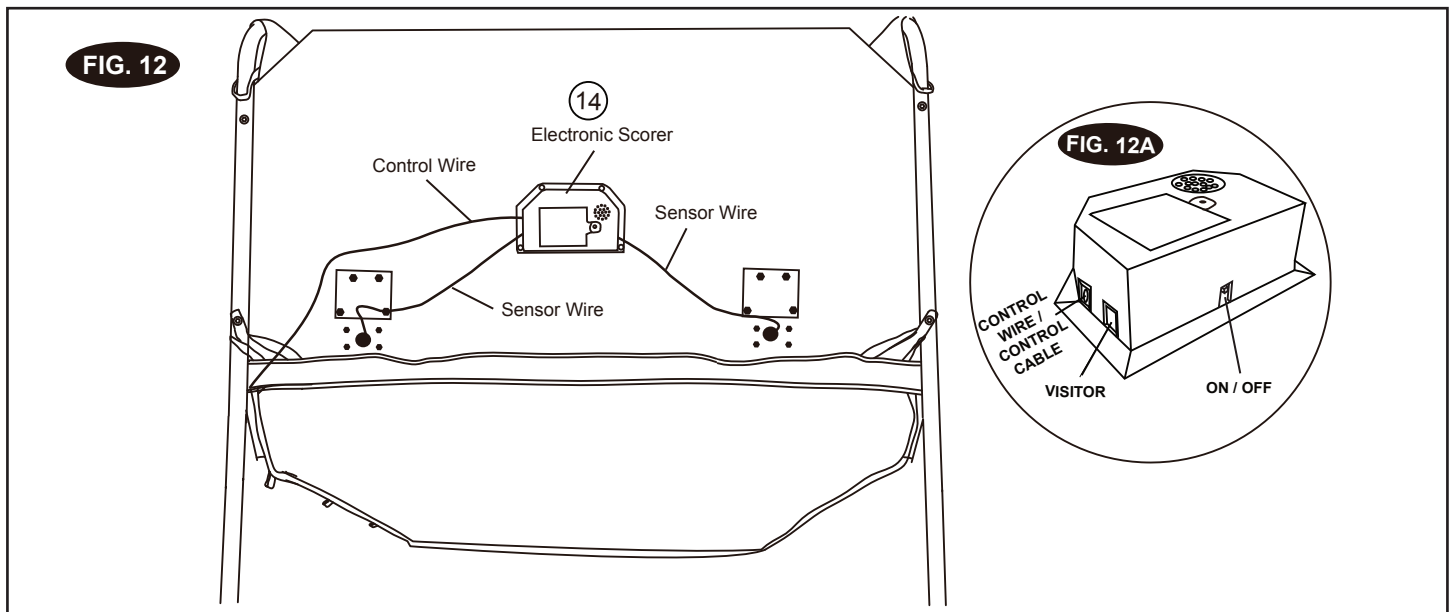
15. Attach the Control Box (#16) to the middle of Tube 11 (#11) using two Bolts (#30) as shown in FIG.11A.

16. Run the rest of the Control Wire through the loops on the bottom side of the Ball Return Net (#35). Hold the Control Wire on Tube 11 (#11) using the Self-Stick Straps (#34) as shown in FIG.11.



**FIG. 12**

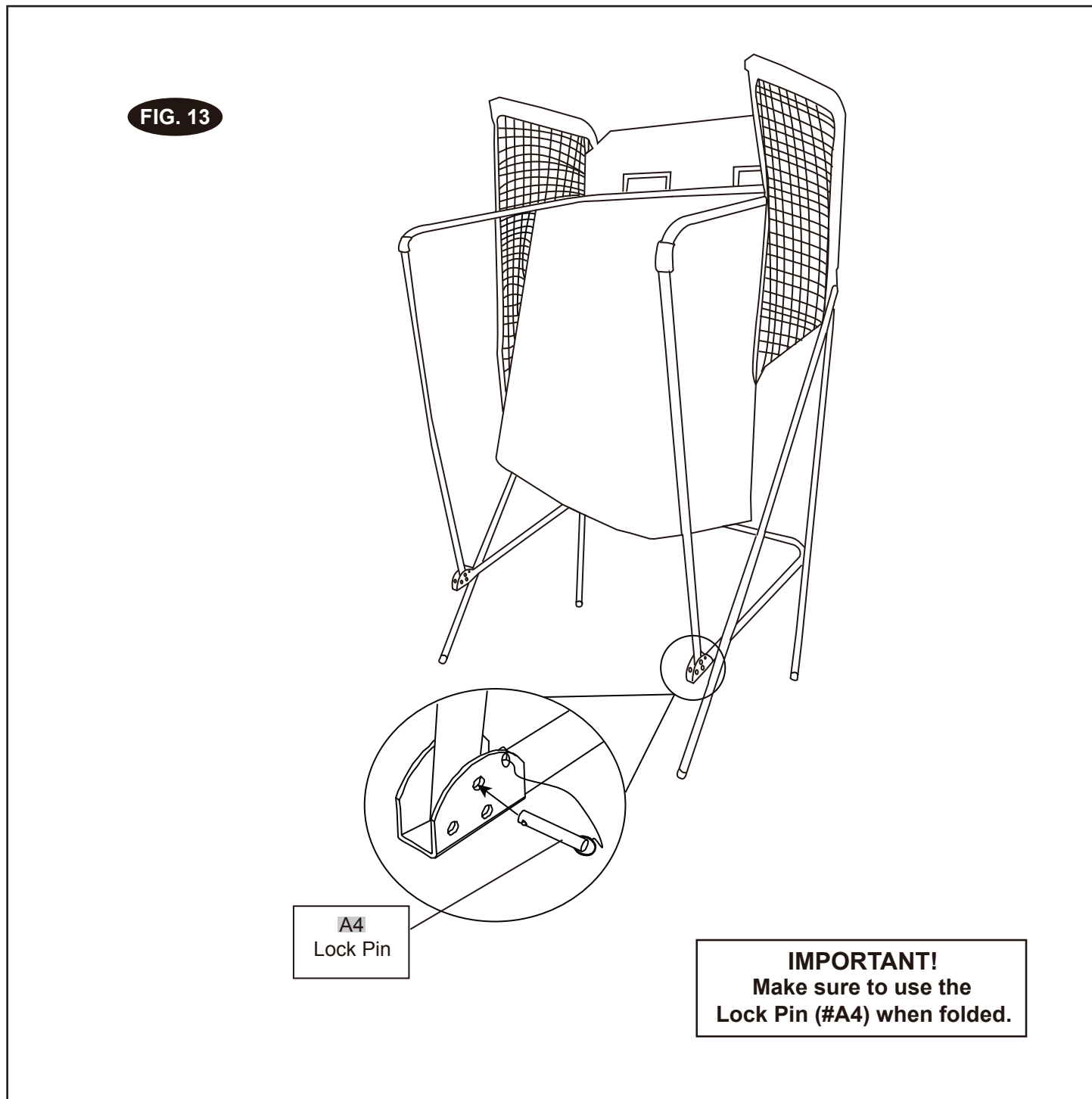
17. Connect the Sensor Wire from Switch Sensor (#15) to the Electronic Scorer (#14) as shown in FIG.12. Connect the Control Wire to the Electronic Scorer (#14) as shown in FIG.12 and 12A.



# ASSEMBLY INSTRUCTIONS (CONT.)

**FIG. 13**

18. To fold game up when not in use, remove Lock Pins (#A4), fold the front of the basketball game up and re-insert Lock Pins (#A4) as shown in FIG.13. **Note: The Lock Pins need to be removed before folding closed or open.**

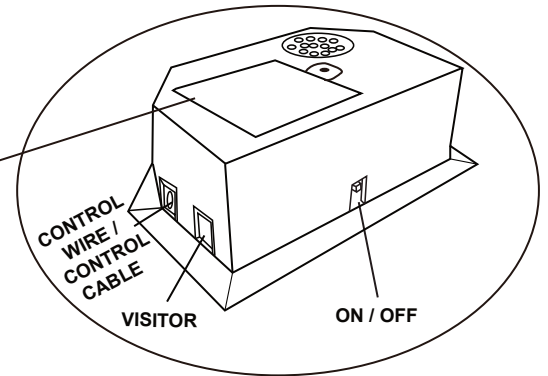
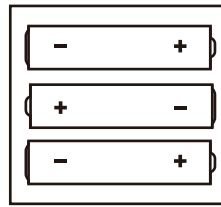


# ASSEMBLY INSTRUCTIONS (CONT.)

## ELECTRONIC SCORER OPERATION

### Installing Batteries:

Using a screwdriver, unscrew lid and open the battery box. Insert 3 "AA" batteries ( not included) in the order of polarity as shown on the inside cover. Close the cover and tighten screw. Turn the power ON using the ON/OFF switch.



### Reminders:

- Batteries must be installed according to the correct polarization (+ and -) requirement.
- Please clean the battery contacts, and also those of the device, prior to battery installation.
- If the game will not be used for a long period of time, we recommend that the batteries should be removed.

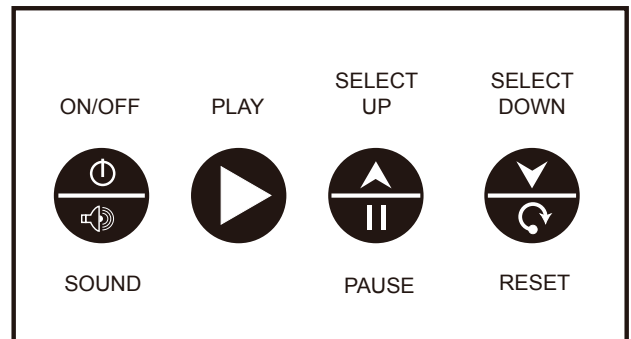
### ⚠ WARNING:

- 1) Requires 3 "AA" batteries (not included).
- 2) Do not mix old and new batteries.
- 3) Do not mix alkaline, standard (carbon zinc), or rechargeable (nickel-cadmium) batteries.

## CONTROL BOX OPERATION

Press "ON/OFF" to activate the scorer.  
Scoreboard "HOME" shows "01" (pre- set game 1).  
Press "SELECT UP and DOWN" to select a game.  
Press "PLAY" to enter selected game mode.  
Press "SOUND" to switch sound ON/OFF while playing.  
Press "PAUSE" to pause or start time counting.  
Press and hold the button "ON/OFF" 3 seconds to turn off scorer.  
Press and hold the button "RESET" 3 seconds to reset the games.  
**NOTE: If no shot is made or no button is pressed in 15 mins, scorer will be turned off automatically.**

### CONTROL PANEL





# CHOOSE FROM 8 DIFFERENT GAME OPTIONS

## 1. Beat the Clock

Press "PLAY" to enter game 1.

Press "UP/Down" to select single/multiple players (P1/P2/P3/P4).

Press "PLAY" after the number of players is selected.

Press "UP/Down" to select playing time, 30/45/60 seconds.

Press "PLAY" to begin the game.

Scoreboard "HOME" shows Player 1, 3;

Scoreboard "VISITOR" shows Player 2, 4.

All shots worth 2 points until last 10 seconds, then each score counts 3 points. Countdown 5 seconds to next player's turn when one player finishes game. Player with most points scored wins ( LED will flash on player with higher score).

Press "PLAY" to restart this game.

## 2. 3 Point Beat the Clock

Press "PLAY" to enter game 2.

Press "UP/Down" to select single/multiple players (P1/P2/P3/P4).

Press "PLAY" after the number of players is selected.

Press "UP/Down" to select playing time, 30/45/60 seconds.

Press "PLAY" to begin the game.

Scoreboard "HOME" shows Player 1, 3;

Scoreboard "VISITOR" shows Player 2, 4.

All shots made count 3. Countdown 5 seconds to next player's turn when one player finishes game. Player with most points scored wins ( LED will flash on player with higher score).

Press "PLAY" to restart this game.

## 3. Battle Back

Press "PLAY" to enter game 3.

Press "UP/Down" to select multiple players (P2/P4).

Press "PLAY" to begin the game.

Shot made in "HOME" frame, +2 points scored display on "HOME" board and -2 points for "VISITOR".

Shot made in "VISITOR" frame, +2 points scored display on "VISITOR" board and -2 points for "HOME".

Once a player scores 10 points they win and game is finished.

Press "PLAY" to restart this game.

## 4. Horse

Press "PLAY" to enter game 4.

Press "UP/Down" to select multiple players (P2/P3/P4).

Press "PLAY" after the number of players is selected.

Player has to make a shot in 2 seconds.

First player is allowed to shoot at any hoop (HOME or VISITOR). If first player scores in 2 seconds, no letter is given. Game continues for next player. Scoreboard will display "next player (P2P3/P4)" and LED will flash twice in a second. After flash, next player has to duplicate the shot in the same hoop selected by first player.

If player can't score in 2 seconds, player receives the first letter "H" which will display on scoreboard. Game remains for the same player until the player scores. If player keeps missing, player receives "O" followed by "R", "S", "E".

After the letter "E" is given, the player is out.

The first player to spell "horse" is out. Play continues until last player to spell "horse" wins.

Press "PLAY" to restart this game.

## 5. Check Point

Press "PLAY" to enter game 5.

Press "UP/Down" to select single/multiple players (P1/P2/P3/P4).

Press "PLAY" after the number of players is selected.

"HOME" displays "player", "VISITOR" displays "24" points, pre-set 40 seconds playing time.

Points scored will display on scoreboard "HOME".

Before time is out, once 24/52/68/86 points is scored, playing time increases 10/20/10/20 seconds respectively.

Countdown 5 seconds to next player's turn when one player finishes game.

Player with most points scored wins ( LED will flash on player with higher score).

Game is finished when a player scores 98 points.

Press "PLAY" to restart this game.

## 6. Around the World

Use tape to mark shooting lines.

Press "PLAY" to enter game 6.

Press "UP/Down" to select single/multiple players (P1/P2/P3/P4).

Press "PLAY" after the number of players is selected.

"HOME" scoreboard displays Player 1/2/3/4, "VISITOR" displays points scored.

Once score reaches 10 points or time reaches 99 seconds, 5 second countdown, until next player's turn, when one player finishes game.

Player who finishes the game first wins (LED will flash on winner).

Press "PLAY" to restart this game.



# CHOOSE FROM 8 DIFFERENT GAME OPTIONS

## 7. Left and Right Shoot

Press "PLAY" to enter game 7.

Press "UP/Down" to select single/multiple players (P1/P2/P3/P4).

Press "PLAY" after the number of players is selected.

Press "UP/Down" to select playing time, 30/45/60 seconds.

Press "PLAY" to begin the game.

Scoreboard "HOME" displays Player, "VISITOR" displays points

Make a shot in "HOME" frame when LED is flashing on "HOME", 2 points scored display on "HOME".

Make a shot in "VISITOR" frame when LED is flashing on "VISITOR", 2 points scored display on "VISITOR".

5 second countdown, until next player's turn, when one player finishes game.

Player with most points scored wins ( LED will flash on player with higher score).

Press "PLAY" to restart this game.

## 8. One on One

Press "PLAY" to enter game 8.

Press "UP/Down" to select single/multiple players (P1/P2/P3/P4).

Press "PLAY" after the number of players is selected.

Press "UP/Down" to select playing time, 30/45/60 seconds.

Press "PLAY" to begin the game.

Scoreboard "HOME" displays Players 1 and 3, "VISITOR" displays Players 2 and 4.

All shots worth 2 points until last 10 seconds, then each score counts 3 points. Countdown 5 seconds to next player's turn when one player finishes game. Player with most points scored wins ( LED will flash on player with higher score).

Press "PLAY" to restart this game.

# CONGRATULATIONS!

You have now assembled your Basketball Game. Please note the Care and Use instructions below to ensure years of trouble free use of your game table.

## CARE AND USE

1. This product is intended for **INDOOR** use only.
2. Do **NOT** sit, climb or lean on the table.
3. Do **NOT** drag the table when moving it as this will damage the legs.

# 180-DAY LIMITED WARRANTY

This product is warranted to the original purchaser to be free from defects in material or workmanship for a period of 180 days from the date of the original retail purchase.

This warranty does not cover defects or damage due to improper installation, alteration, accident or any other event beyond the control of the manufacturer. Defects or damage resulting from misuse, abuse or negligence will void this warranty. This warranty does not cover scratching or damage that may result from normal usage.

This product is not intended for institutional or commercial use; the manufacturer does not assume any liability for such use. Institutional or commercial use will void this warranty.

This warranty is nontransferable and is expressly limited to the repair or replacement of the defective product. During the warranty period, the manufacturer shall repair or replace defective parts at no cost to the purchaser. Shipping charges and insurance are not covered and are the responsibility of the purchaser. Labor charges and related expenses for removal, installation or replacement of the product or components are not covered under this warranty.

The manufacturer reserves the right to make substitutions to warranty claims if parts are unavailable or obsolete.

The manufacturer shall not be liable for loss of use of the product or other consequential or incidental costs, expenses or damages incurred by the consumer of any other use. The user assumes all risk of injury resulting from the use of this product.

This warranty is expressly in lieu of all other warranties, expressed or implied, including warranties of merchantability or fitness for use to the extent permitted by Federal or state law. Neither the manufacturer nor any of its representatives assumes any other liability in connection with this product.

**All warranty claims must be made through the retailer where the product was originally purchased. A purchase receipt or other proof of date of purchase will be required to process all warranty claims. The model number and part numbers found within the assembly instructions will be required when submitting any parts requests or warranty claims.**

**For further warranty information or inquiries, please call 800-759-0977**

# JEU DE BASKET-BALL ÉLECTRONIQUE DOUBLE SURE SHOT INSTRUCTIONS D'ASSEMBLAGE



Contactez notre  
service à la clientèle au  
**800-759-0977**  
avec des questions sur le montage  
ou l'utilisation de ce produit.

NG2233BL

**MERCI!**


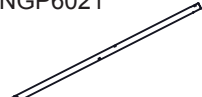



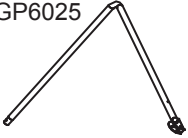




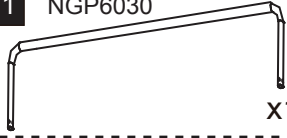


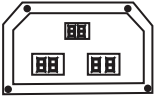
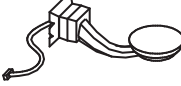
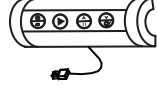

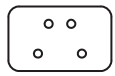
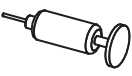

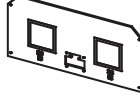









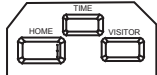
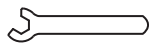
Merci d'avoir acheté notre produit.

Nous travaillons 24 heures sur 24, partout dans le monde, à garantir que nos produits sont de la meilleure qualité possible. Toutefois, dans les rares cas de problèmes lors du montage ou de l'utilisation de ce produit, se il vous plaît communiquer avec notre service à la clientèle au **800-759-0977** pour une aide immédiate avant de contacter votre revendeur.

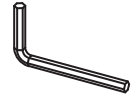

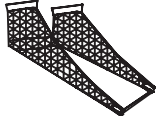
Pour obtenir de plus amples renseignements, veuillez lire l'information relative à la garantie au verso de ce guide d'instructions.

**IMPORTANT! VEUILLEZ LIRE, EN ENTIER, TOUTES LES INSTRUCTIONS AVANT D'ASSEMBLER VOTRE PRODUIT.**

# IDENTIFICATION DES PIÈCES (pas à l'échelle)


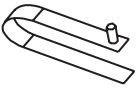


1 NGP6020  x2 Montant 1 Ø22x580x440mm	2 NGP6021  x2 Montant 2 Ø22x685mm	3 NGP6022  x1 Montant 3 Ø22x890mm	4 NGP6023  x1 Montant 4 Ø22x890mm
5 NGP6024  x1 Montant 5 Ø22x755x580mm	6 NGP6025  x1 Montant 6 Ø22x755x580mm	7 NGP6026  x2 Montant 7 Ø22x830mm	8 NGP6027  x2 Montant 8 Ø22x835mm
9 NGP6028  x2 Montant 9 Ø22x740mm	10 NGP6029  x2 Montant 10 Ø22x540x385mm	11 NGP6030  x1 Montant 11 Ø22x1065x520mm	12 NGP6031  x2 Montant 12 Ø12.7x1070mm
13 NGP2217  x4 Ballon 17,7 cm	14 NGP6033  x1 Marqueur électronique	15 NGP6034  x2 Interrupteur	16 NGP6035  x1 Le boîtier de commande avec fil
17 NGP6036  x2 Panier	18 NGP6037  x2 Panneau de support pour panier	19 NGP6038  x1 Pompe à air avec aiguille	20 NGP6039  x2 Embout
21 NGP6040  x1 Panneau arrière	22 NGP6041*  x64 Rondelle 6 mm	23 NGP6041*  x16 Boulon 6 mm x 20 mm	24 NGP6041*  x6 Boulon 6 mm x 30 mm
25 NGP6041*  x4 Boulon 6 mm x 42 mm	26 NGP6041*  x4 Boulon 6 mm x 48 mm	27 NGP6041*  x2 Boulon 6 mm x 35 mm	28 NGP6041*  x32 Écrou 6 mm
29 NGP6041*  x4 Boulon 3.5 mm x 10 mm	30 NGP6041*  x2 Boulon 4 mm x 28 mm	31 NGP6042  x1 Tableau électronique	32 NGP6041*  x1 Clé anglaise

# IDENTIFICATION DES PIÈCES (pas à l'échelle)

<b>33</b> NGP6041*  x1 Clé hexagonale	<b>34</b> NGP6043  x2 Clé hexagonale	<b>35</b> NGP6044  x1 Filet de retour de ballon
---	--	--

\*Pièces incluses dans le sac de quincaillerie NGP6041

## Pièces préinstallées

<b>A1</b>  x2 Panier	<b>A2</b>  x9 Attache à ressort	<b>A3</b>  x2 Plastique Pôle Insertion	<b>A4</b>  x2 Attache de sécurité
--	---	---	---

\*Pour commander les pièces de remplacement, veuillez téléphoner au 1 800 759-0977

## Outils requis

- Tournevis cruciforme – non inclus
- Tournevis standard (à tête plate) – non inclus
- Clé hexagonale- incluse

### AVERTISSEMENT!

L'utilisation d'un tournevis électrique peut être utile pendant l'assemblage; toutefois, réglez-le à une basse vitesse et soyez extrêmement prudent.



Deux adultes sont requis pour la manipulation



Ne pas laisser un enfant dans la zone d'assemblage



Tenir loin des animaux



Ne pas l'utiliser ou l'entreposer à l'extérieur. Pour usage à l'intérieur seulement. Éviter les endroits mouillés et humides.

# INSTRUCTIONS D'ASSEMBLAGE

1. Déposez votre Table de Hockey sur une surface propre et plane. La table s'assemble à l'envers pour être ensuite retournée sur ses pieds, une fois l'assemblage complété. Cette table est lourde et nécessite au moins deux adultes forts pour la soulever et la retourner.
2. Retirez le contenu de la boîte, avant de commencer l'assemblage, assurez-vous d'avoir toutes les pièces telles que listées et illustrées au tableau d'identification. Avis : certaines pièces sont préassemblées ou préinstallées.
3. Certaines illustrations ou dessins peuvent ne pas ressembler au produit que vous avez acheté. Veuillez lire et comprendre les instructions avant de compléter chaque étape d'assemblage.
4. Quand vous fixez en place une pièce avec plus d'une vis ou écrou, veuillez, en premier, les visser à la main et terminer la fixation avec un tournevis ou une clé.
5. Un tournevis électrique peut être utile lors de l'assemblage, mais veuillez le régler à basse torque et l'utiliser avec prudence; si la torque est trop élevée, la vis peut se défaire ou être trop serrée.

## **AVERTISSEMENTS!**

LIRE TOUTES LES INSTRUCTIONS D'ASSEMBLAGE ET LES CONSIGNES DE SÉCURITÉ ATTENTIVEMENT.

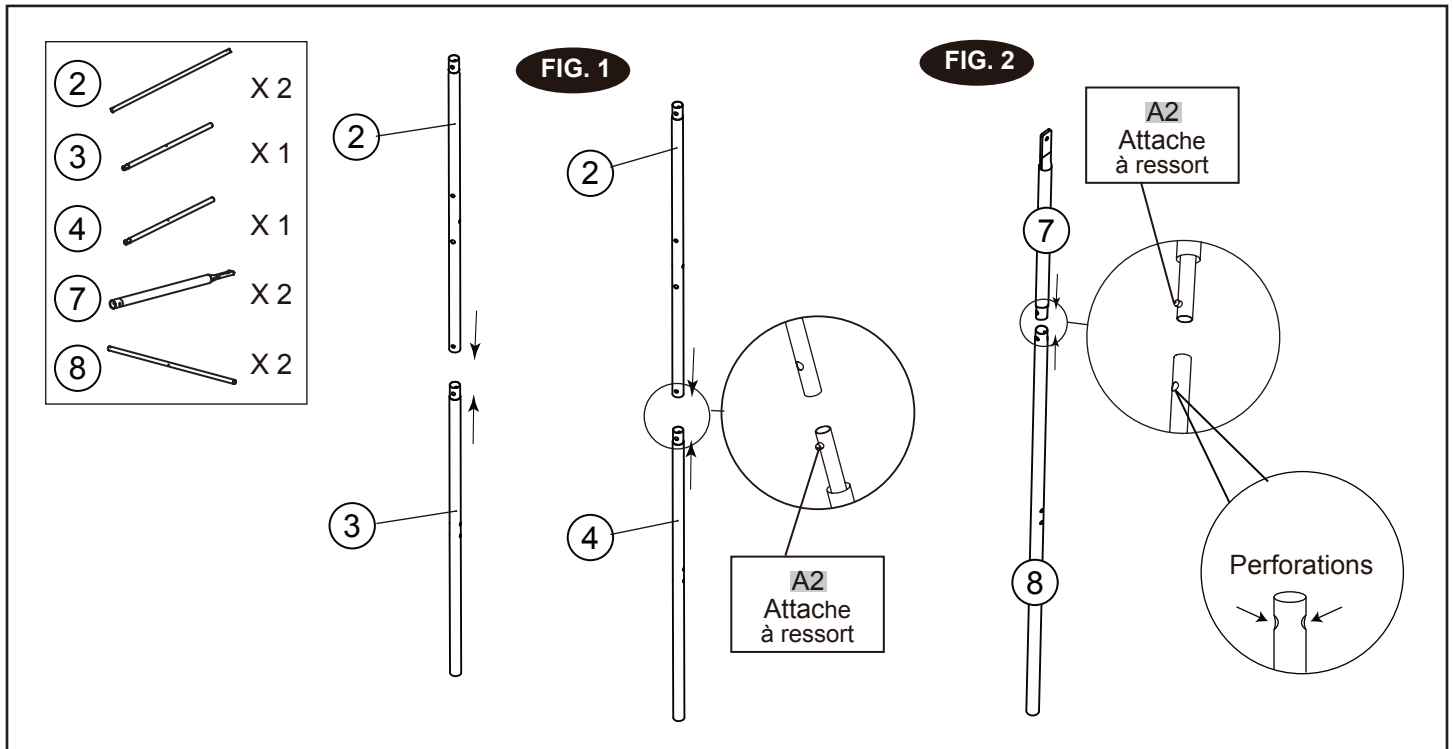
RISQUE D'ÉTOUFFEMENT – CERTAINS ÉLÉMENTS DU PRODUIT CONTIENNENT DE PETITES PIÈCES - NE CONVIENT PAS À UN ENFANT DE MOINS DE TROIS ANS.



# INSTRUCTIONS D'ASSEMBLAGE

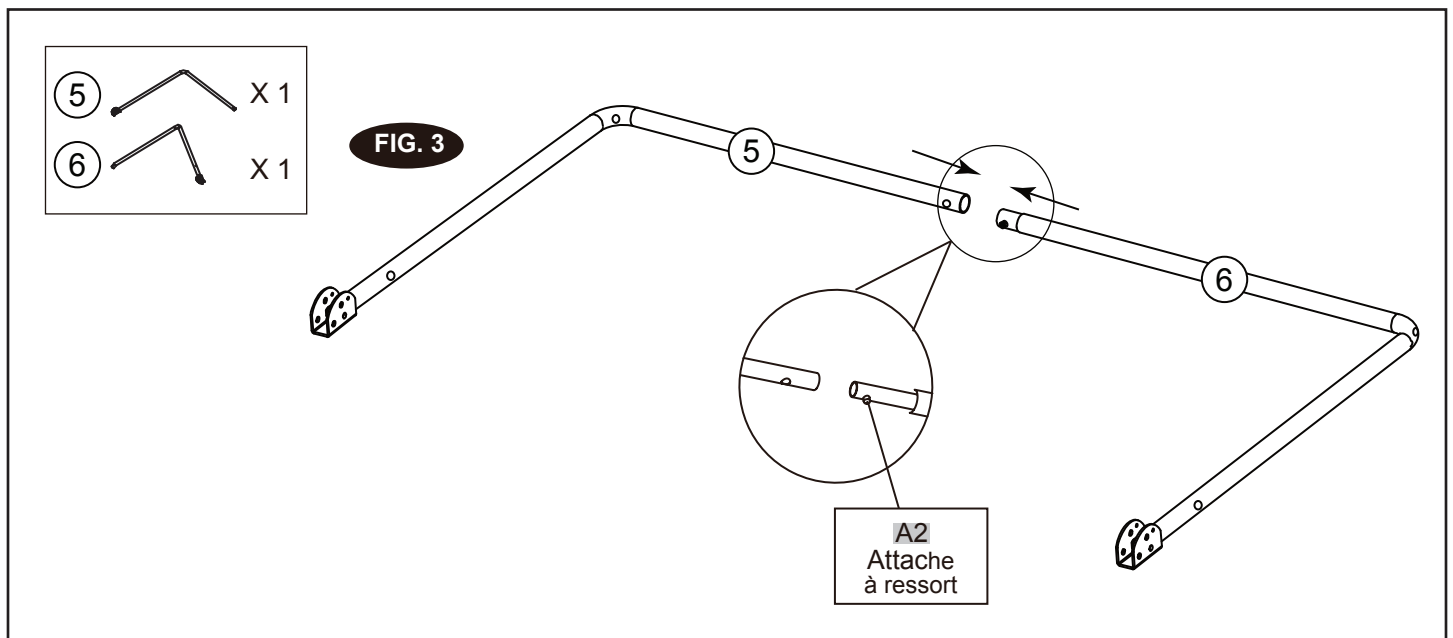
## Figures 1 et 2

1. Fixez les Montants 2 au montant 3 et au montant 4 grâce à l'attache à ressort (préinstallée), tel qu'illustré à la figure 1.
2. Fixez le montant 7 au montant 8 grâce à l'attache à ressort (préinstallée), tel qu'illustré à la figure 2.



## Figure 3

3. Fixez le Montant 5 au Montant 6 à l'aide de l'attache à ressort (préinstallée), tel qu'illustré à la figure 3.

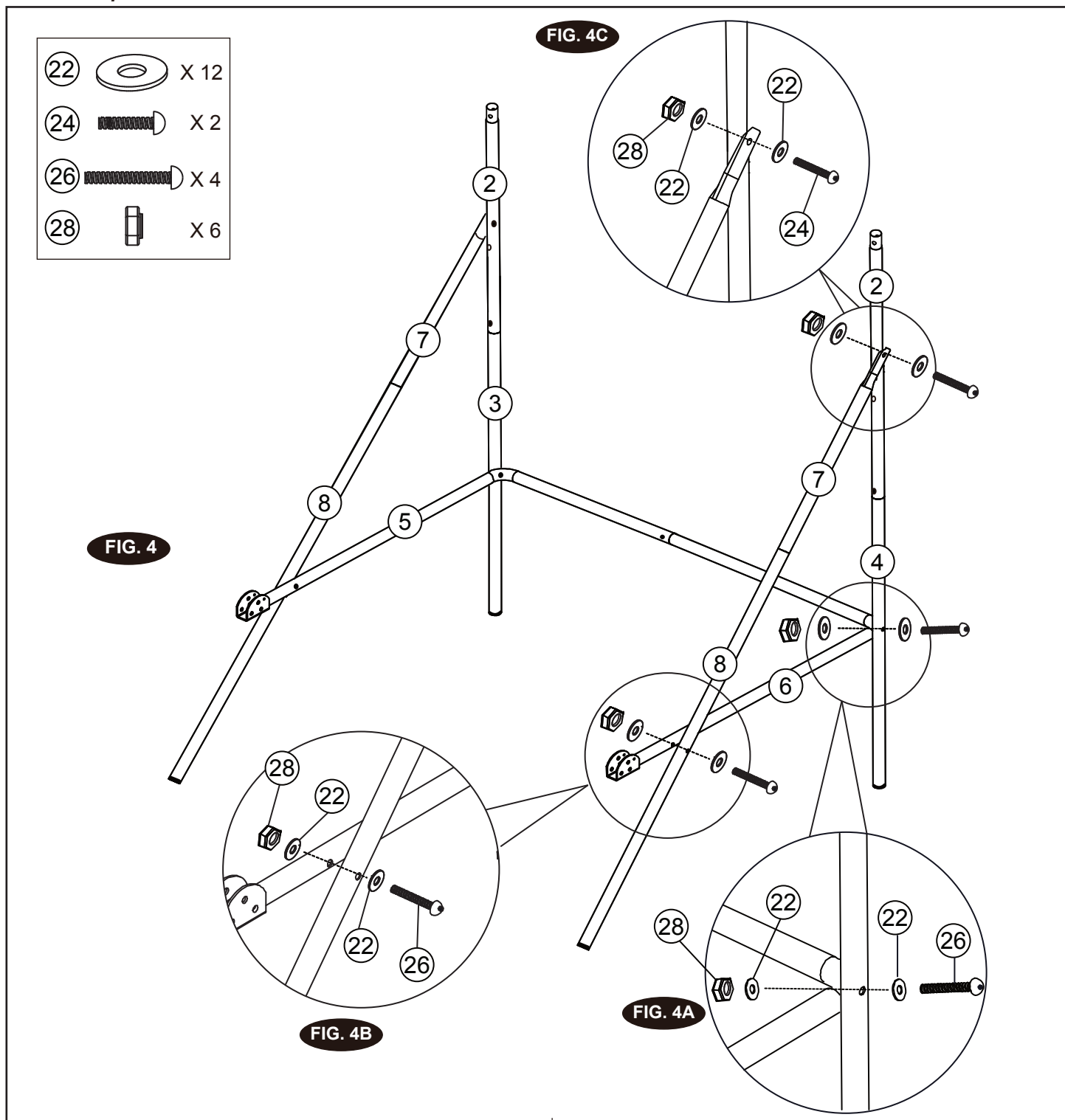


# INSTRUCTIONS D'ASSEMBLAGE (suite)

## Figure 4

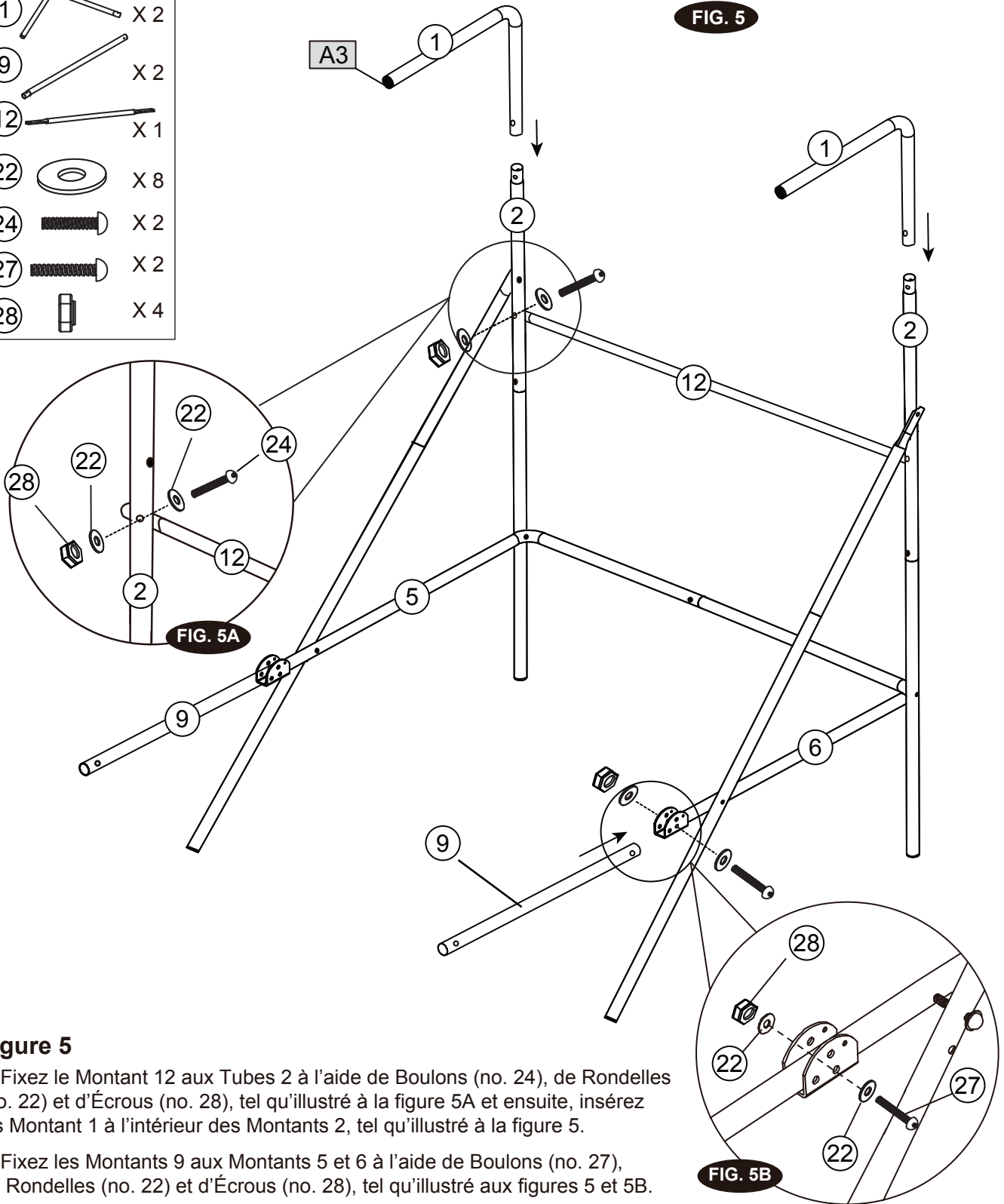
4. Fixez le Montant 5 et le Montant 6 au montant 3 et au Montant 4 à l'aide de Boulons (no. 26), de Rondelles (no. 22) et d'Écrous (no. 28) et fixez le Montant 5 et le Montant 6 aux tubes 8 à l'aide de Boulons (no. 26), de Rondelles (no. 22) et d'Écrous (no. 28), tel qu'illustré aux figures 4, 4A et 4B.

5. Fixez les Montants 7 et les Montants 8 aux Montant 2 à l'aide de Boulons (no. 24), de Rondelles (no. 22) et d'Écrous (no. 28) tel qu'illustré à la figure 4C, recommencez le procédé pour l'autre côté. **Avis : Assurez-vous que l'attache à ressort est placée à l'envers.**



# INSTRUCTIONS D'ASSEMBLAGE (suite)

1		X 2
9		X 2
12		X 1
22		X 8
24		X 2
27		X 2
28		X 4



**Figure 5**

6. Fixez le Montant 12 aux Tubes 2 à l'aide de Boulons (no. 24), de Rondelles (no. 22) et d'Écrous (no. 28), tel qu'illustré à la figure 5A et ensuite, insérez les Montant 1 à l'intérieur des Montants 2, tel qu'illustré à la figure 5.

7. Fixez les Montants 9 aux Montants 5 et 6 à l'aide de Boulons (no. 27), de Rondelles (no. 22) et d'Écrous (no. 28), tel qu'illustré aux figures 5 et 5B.

# INSTRUCTIONS D'ASSEMBLAGE (suite)

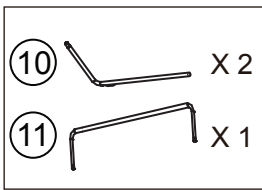
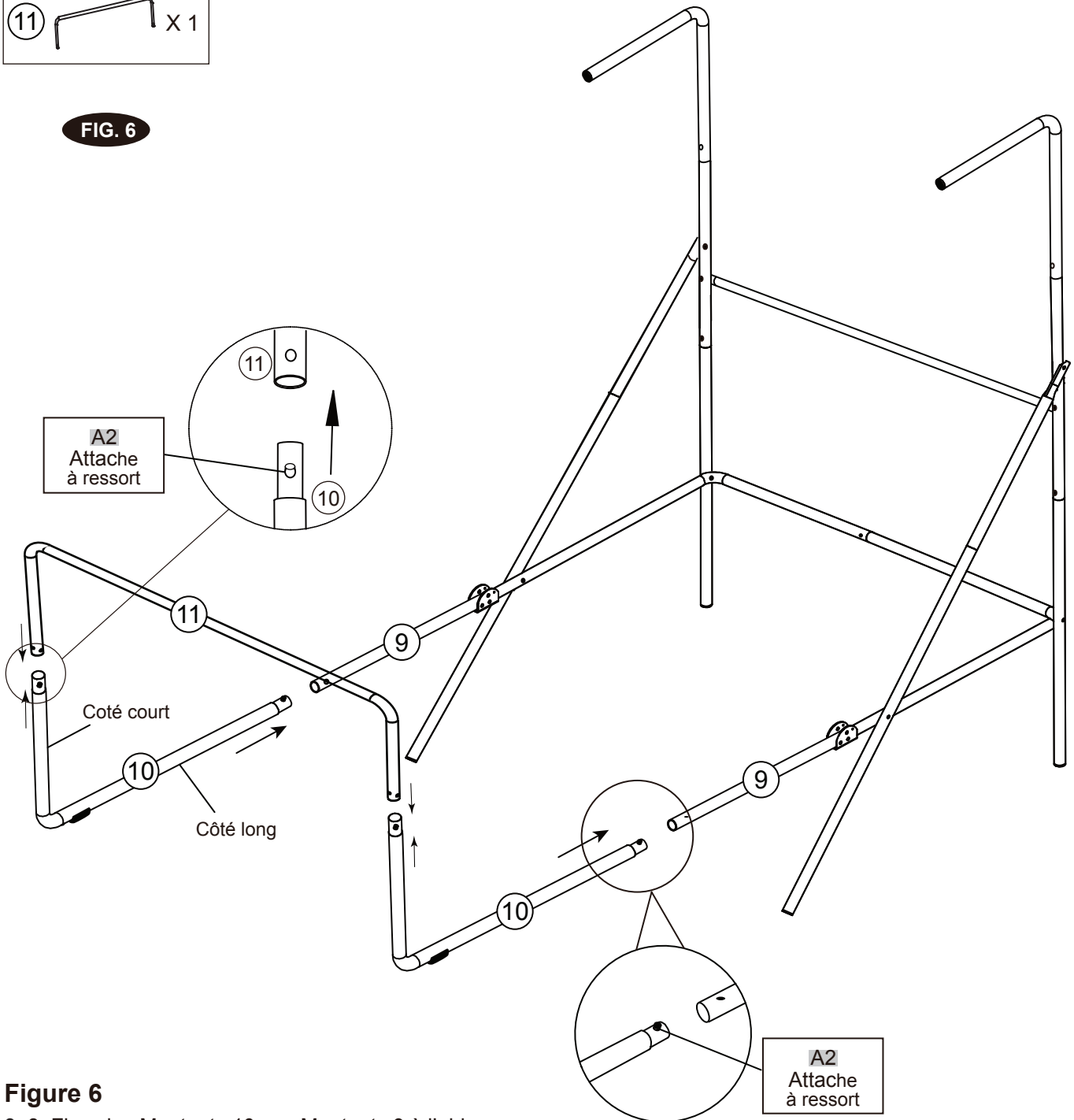


FIG. 6



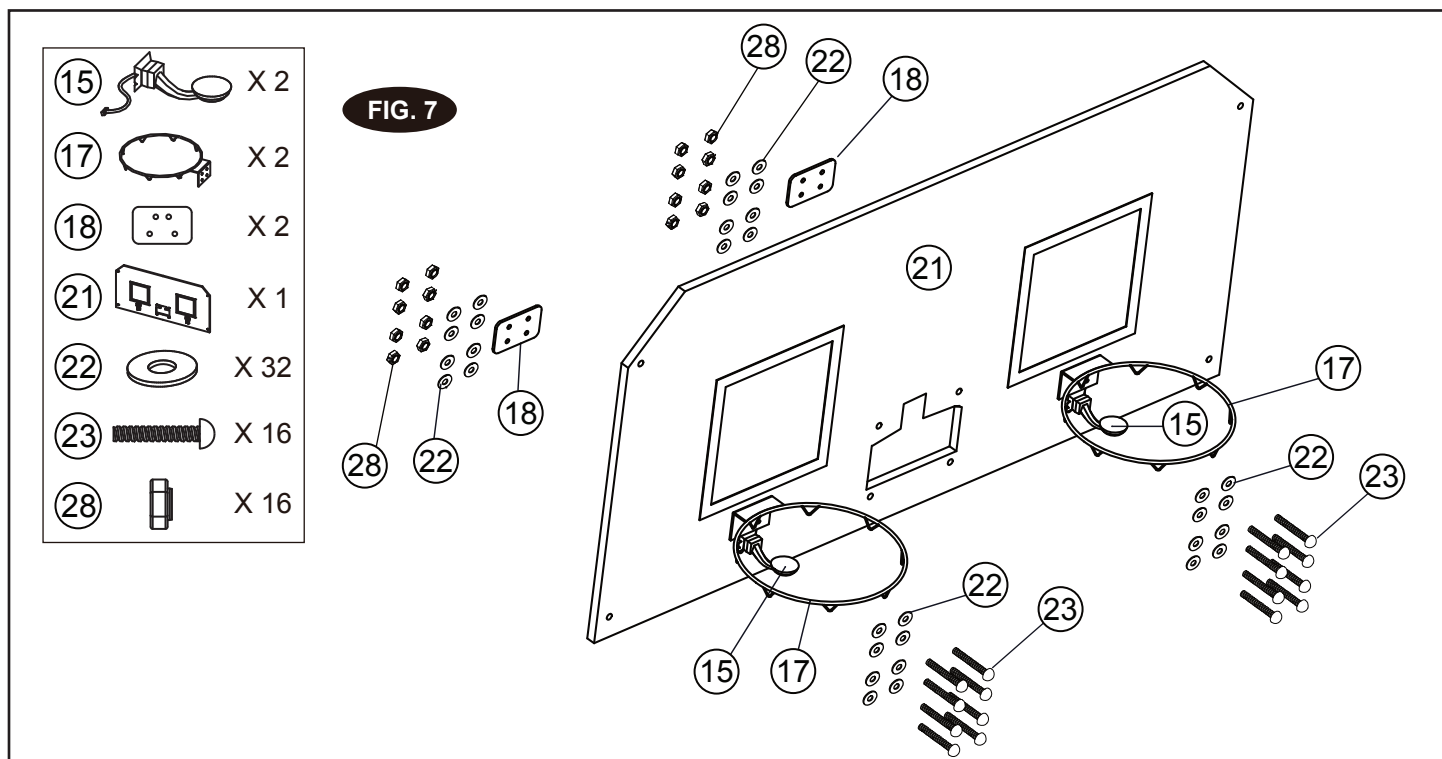
**Figure 6**

8. 8. Fixez les Montants 10 aux Montants 9 à l'aide des attaches à ressort (préinstallées), ensuite insérez le Montant 11 à l'intérieur des Montants 10 à l'aide des attaches à ressort (préinstallées), tel qu'illustré à la figure 6.

# INSTRUCTIONS D'ASSEMBLAGE (suite)

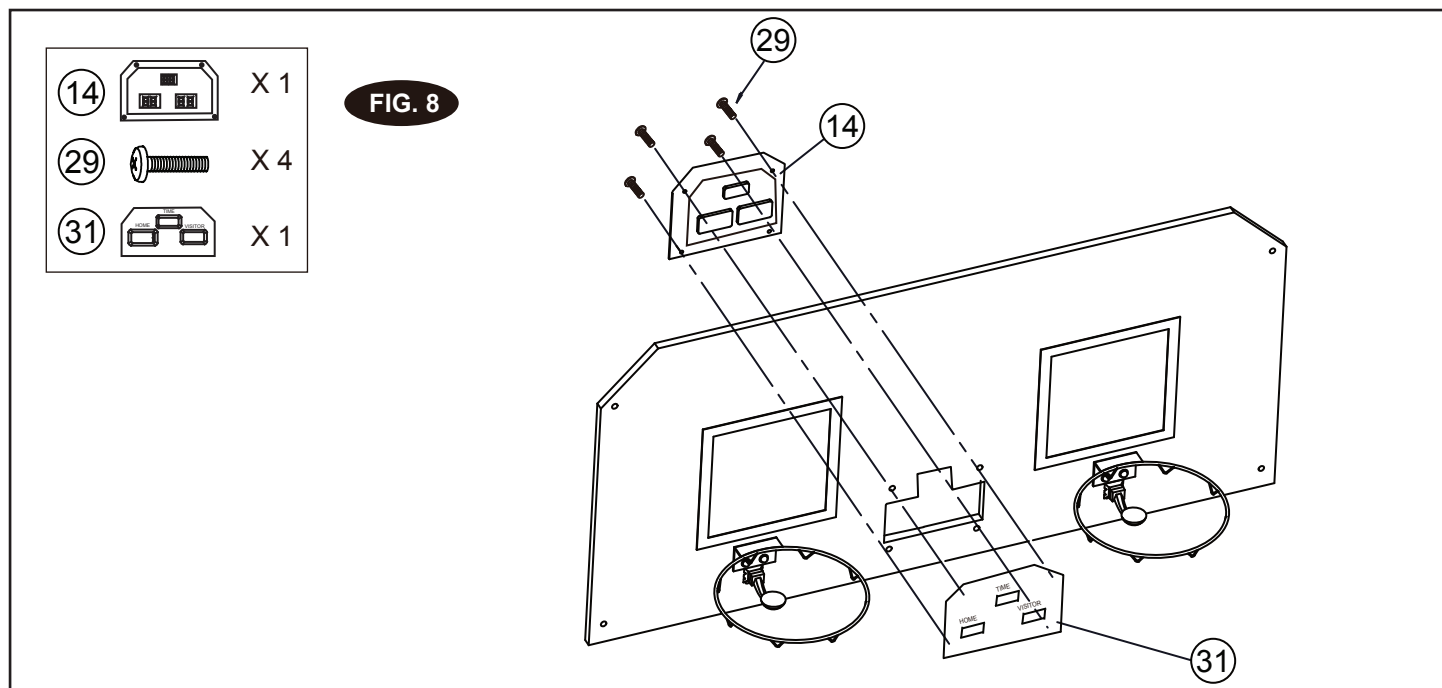
## Figure 7

9. Fixez les Paniers (no. 17) et les Plaques de support (no. 18) au Panneau arrière (no. 21) à l'aide de Boulons (no. 23), de Rondelles (no. 22) et d'Écrous (no. 28). Fixez l'Interrupteur (no. 15) au Panneau arrière (no. 21) à l'aide de Boulons (no. 23), de Rondelles (no. 22) et d'Écrous (no. 28). Avis : Assurez-vous d'utiliser une rondelle de chaque côté du panneau, tel qu'illustré à la figure 7.



## Figure 8

10. Fixez le Tableau électronique (no. 31) sur le devant du Panneau et branchez-le au Marqueur électronique (no. 14) à l'aide de Boulons (no. 29), tel qu'illustré à la figure 8.

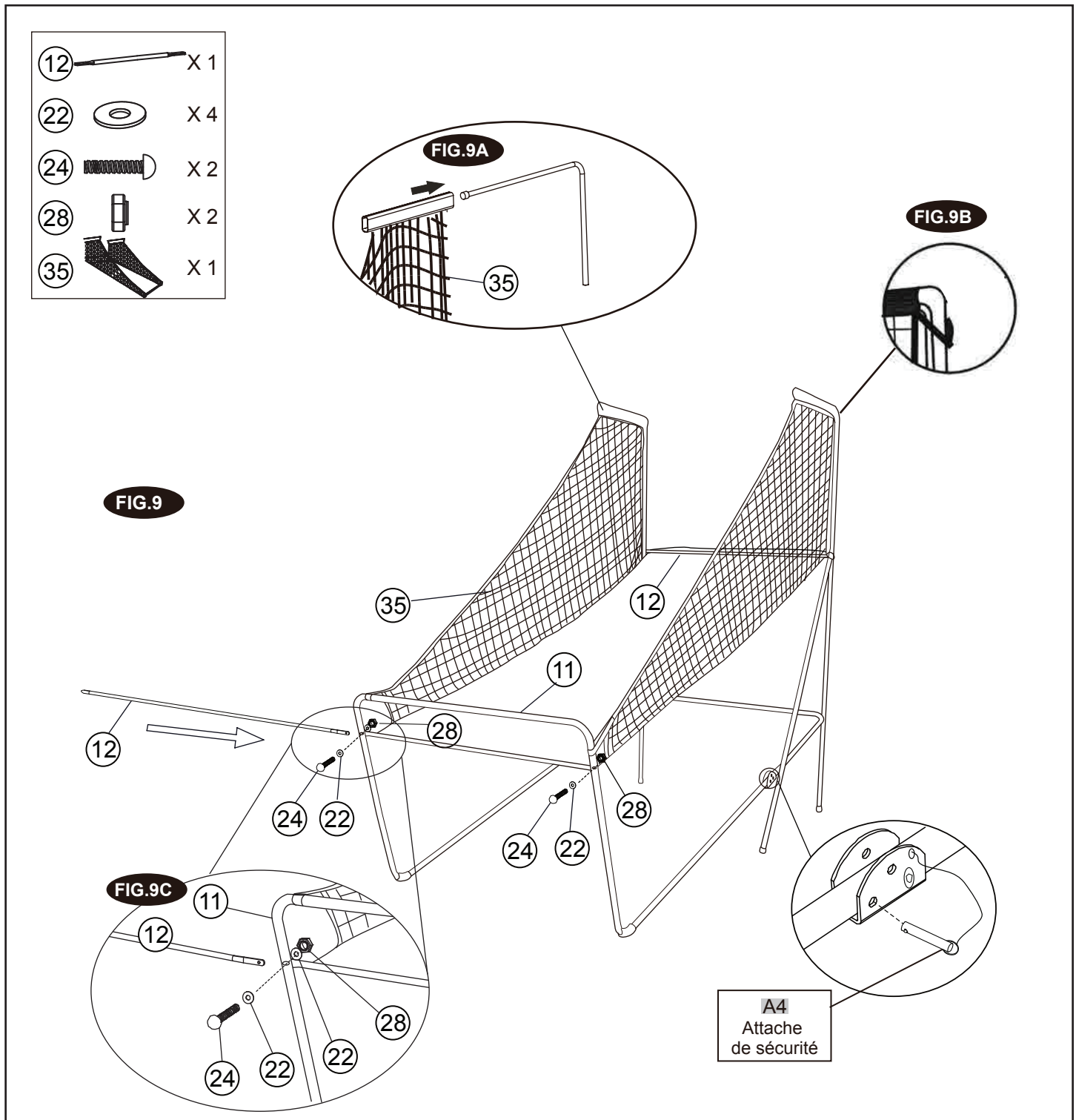


# INSTRUCTIONS D'ASSEMBLAGE (suite)

## Figure 9

11. Insérez la manche et les bandes élastiques du Filet de Retour de ballon (no. 35) à l'intérieur des Montants supérieurs (no. 1), tel qu'illustré aux figures 9A et 9B.

12. Insérez le Montant 12 à travers la manche sur le devant du Filet de Retour (no. 35), fixez le côté gauche en premier à l'aide de Boulons (no. 24), de Rondelles (no. 22) et d'Écrous (no. 28), tel qu'illustré à la figure 9C. Répétez le même procédé pour fixer le côté droit.

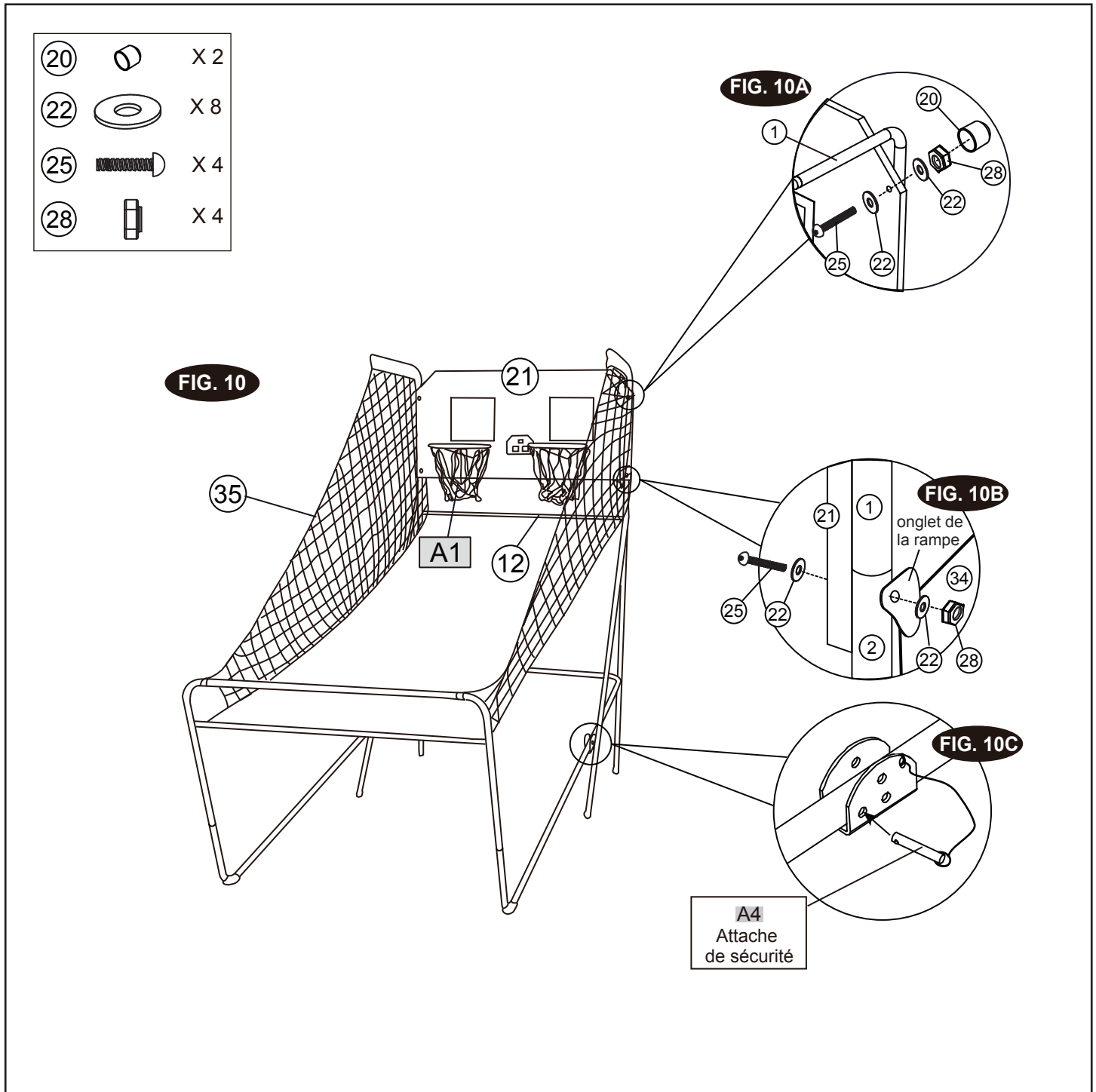


# INSTRUCTIONS D'ASSEMBLAGE (suite)

## Figure 10

13. Avec l'aide d'un autre adulte, fixez le Panneau arrière (no. 21) au Montant supérieur (no. 1) à l'aide de Boulons (no. 25), de Rondelles (no. 22), d'Écrous (no. 28) et d'Embouts (no. 20), tel qu'illustré à la figure 10A. Fixez les attaches de la rampe du Filet de Retour (no. 35) à l'aide de Boulons (no. 25), de Rondelles (no. 22) et d'Écrous (no. 28) à chaque ouverture située au bas du panneau, tel qu'illustré à la figure 10B.

14. Installez les Attaches de sécurité (no. A4) au Montant 5 et au Montant 6 et insérez-les à l'intérieur des Montants 5 et 6, tel qu'illustré à la figure 10C.

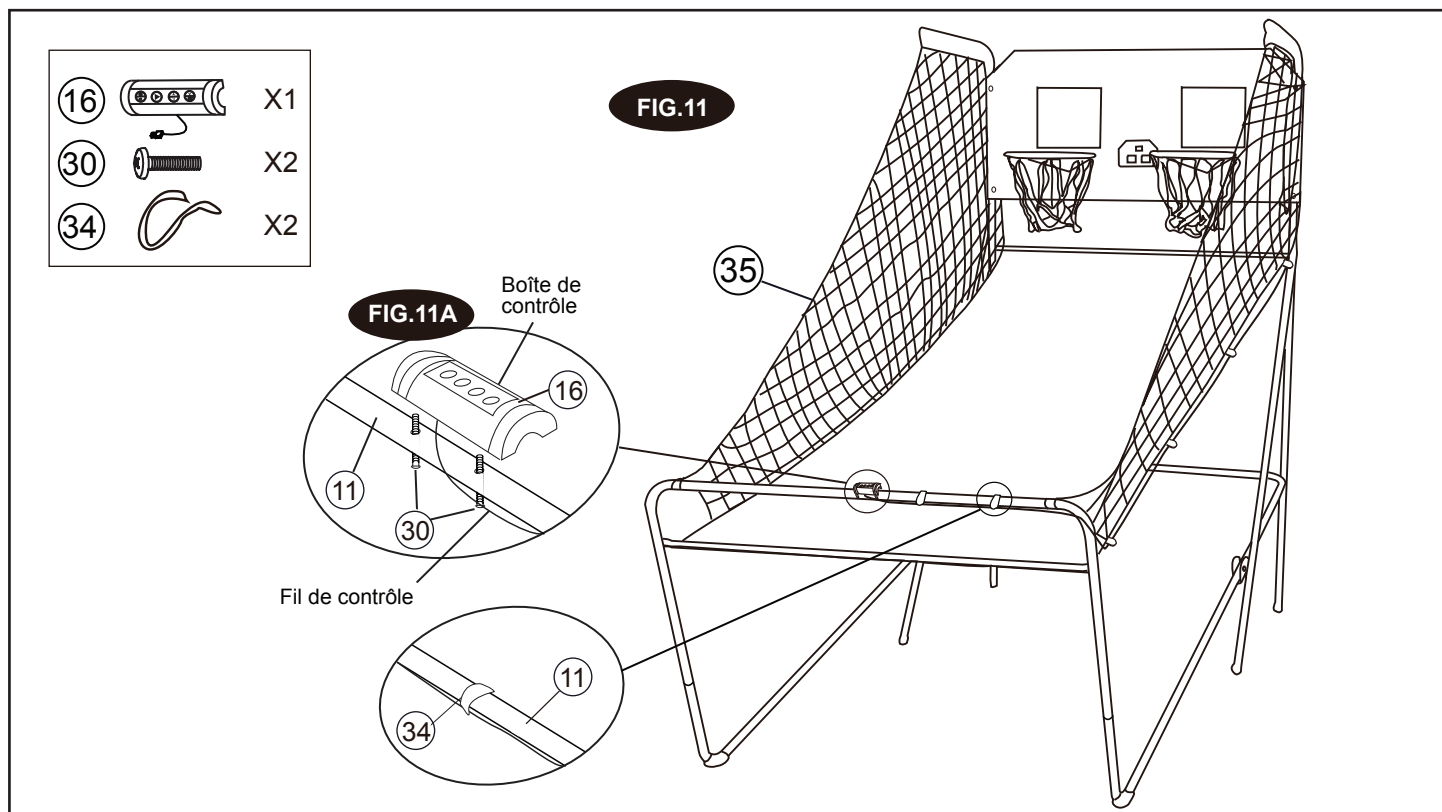


# INSTRUCTIONS D'ASSEMBLAGE (suite)

## Figure 11

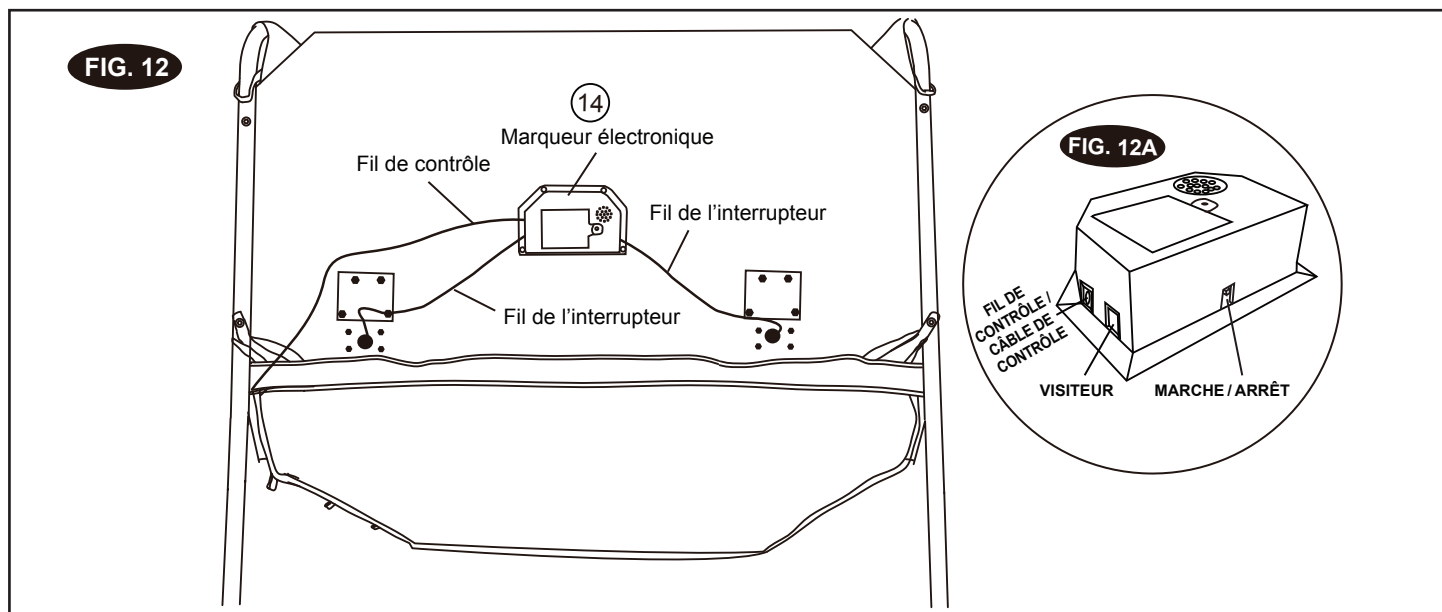
15. Fixez la Boîte de contrôle (no. 16) au centre du Montant 11 à l'aide de deux Boulons (no. 30), tel qu'illustré à la figure 11A.

16. Faites courir le fil au travers les œilletons situés dans la partie inférieure du Filet de Retour (no. 35). Maintenez le fil sur le Montant 11 en utilisant les bandes auto-adhésives (no. 34), tel qu'illustré à la figure 11.



## Figure 12

17. Branchez le fil de l'Interrupteur (no. 15) au Tableau d'affichage électronique (no. 14), tel qu'illustré à la figure 12. Branchez le fil de contrôle au Marqueur Électronique no. 14 tel qu'illustré aux figures 12 et 12A.



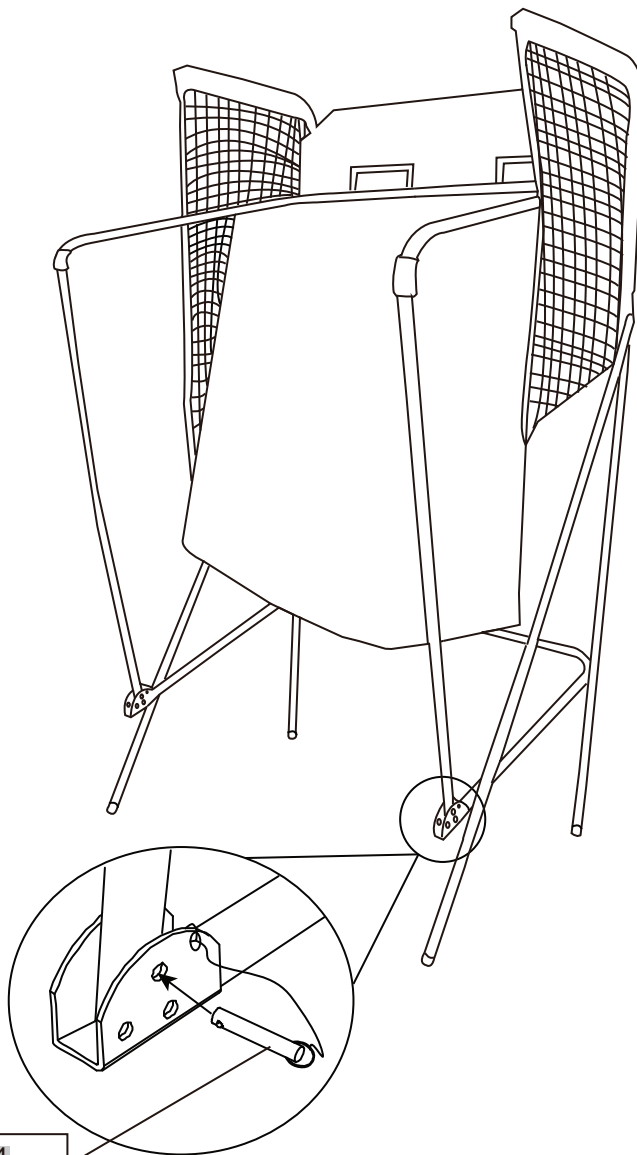


# INSTRUCTIONS D'ASSEMBLAGE (suite)

**Figure 13**

18. Pour replier le jeu quand il n'est pas utilisé, retirez les attaches de sécurité, pliez la partie avant du jeu de basket-ball et réinsérez les attaches (no. A4), tel qu'illustré à la figure 13. **Avis : Les attaches doivent être retirées avant d'ouvrir et de fermer le jeu.**

**FIG. 13**



**A4**  
Attache  
de sécurité

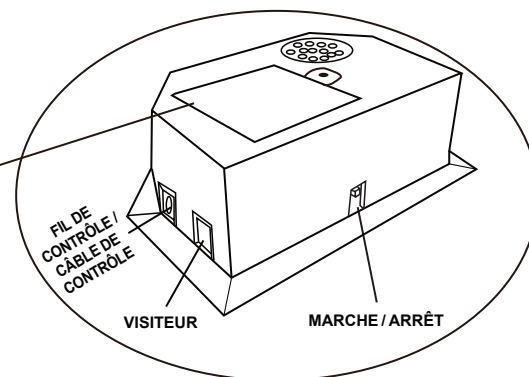
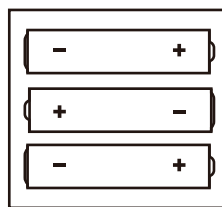
**IMPORTANT!**  
Assurez-vous d'utiliser l'attache  
(no. A4) quand le jeu est plié.

# INSTRUCTIONS D'ASSEMBLAGE (suite)

## FONCTIONNEMENT DU TABLEAU ÉLECTRONIQUE

### Installation des piles :

À l'aide d'un tournevis, dévissez le couvercle et ouvrez le réceptacle à piles. Insérez 3 piles AA (non incluses) dans l'ordre de polarité tel qu'illustré à l'intérieur du couvercle. Fermez et revissez le couvercle. Mettre en marche le dispositif.



### Rappels :

- Les piles doivent être installées aux paramètres de polarisation correcte (+ et -).
- Veuillez nettoyer les points de contact des piles et du dispositif avant d'installer les piles.
- Si vous prévoyez ne pas utiliser le jeu pendant une longue période, il est recommandé de retirer les piles avant l'entreposage.

### ⚠ AVERTISSEMENT :

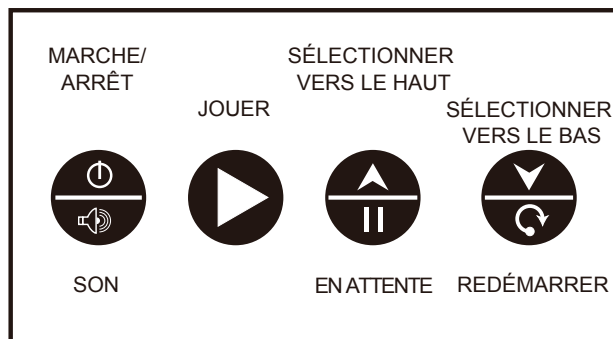
- 1) Requiert 3 piles AA (non incluses).
- 2) Ne mêlez pas les vieilles piles avec les piles neuves.
- 3) Ne mêlez pas les piles alcaline, standard (zinc carbone), ou rechargeable (cadmium nickel).

## FONCTIONNEMENT DE LA BOÎTE DE CONTRÔLE

Appuyez sur le bouton Marche/Arrêt pour démarrer le marqueur. Le tableau électronique HOME affiche 01 (jeu pré-réglé à 1). Appuyez sur SELECT UP/DOWN pour sélectionner un jeu. Appuyez sur PLAY pour activer le mode de jeu sélectionné. Appuyez sur SOUND pour activer le son pendant la partie. Appuyez sur PAUSE pour interrompre ou pour activer la durée de temps de la partie. Appuyez sur le bouton Marche/Arrêt et maintenez-le enfoncé pendant 3 secondes pour éteindre le tableau électronique. Appuyez et maintenez enfoncé le bouton RESET pendant 3 secondes pour redémarrer les jeux.

**NOTE : si aucun joueur ne marque de points ou si aucun bouton n'a été appuyé pendant 15 minutes, le tableau électronique s'éteint automatiquement.**

### PANNEAU DE CONTRÔLE



# Choisissez parmi 8 sortes de jeux différents

## 1. Contre la montre

Appuyez sur « Play » pour commencer le jeu 1.

Appuyez sur « Up/Down » pour établir le nombre de joueurs (P1, P2, P3, P4).

Appuyez sur « Play » pour confirmer le nombre de joueurs.

Appuyez sur « Up/Down » pour établir la durée de la partie, 30, 45 ou 60 secondes.

Appuyez sur « Play » pour commencer la partie.

Le score des joueurs 1 et 3 est indiqué au tableau « Home »

Le score des joueurs 2 et 4 est indiqué au tableau « Visitor »

Un lancer vaut deux points et durant les 10 dernières secondes, il vaut trois points. Quand un joueur a terminé, l'autre joueur doit attendre cinq secondes avant de lancer le ballon.

Le joueur avec le plus grand nombre de points remporte la partie. Un signal lumineux indique le score gagnant.

Appuyez sur « Play » pour commencer une autre partie.

## 2. Contre la montre à 3 points

Appuyez sur « Play » pour commencer le jeu 2.

Appuyez sur « Up/Down » pour établir le nombre de joueurs (P1, P2, P3, P4).

Appuyez sur « Play » pour confirmer le nombre de joueurs.

Appuyez sur « Up/Down » pour établir la durée de la partie, 30, 45 ou 60 secondes.

Appuyez sur « Play » pour commencer la partie.

Le score des joueurs 1 et 3 est indiqué au tableau « Home »

Le score des joueurs 2 et 4 est indiqué au tableau « Visitor »

Chaque lancer vaut trois points. Quand un joueur a terminé de jouer, l'autre joueur doit attendre cinq secondes avant qu'un autre joueur lance le ballon. Le joueur avec le plus grand nombre de points remporte la partie. Un signal lumineux indique le score gagnant.

Appuyez sur « Play » pour commencer une nouvelle partie.

## 3. Gagner la bataille

Appuyez sur « Play » pour commencer le jeu 3.

Appuyez sur « Up/Down » pour établir le nombre de joueurs (P2, P4).

Appuyez sur « Play » pour commencer la partie.

À chaque lancer dans le panier « Home », +2 points au tableau « Home » et -2 points au tableau « Visitor ».

À chaque lancer dans le panier « Visitor », +2 points au tableau « Visitor » et -2 points au tableau « Home ».

Le joueur qui accumule 10 points remporte le match et la partie est terminée.

Appuyez sur « Play » pour commencer une nouvelle partie.

## 4. H-O-R-S-E

Appuyez sur « Play » pour commencer le jeu 4.

Appuyez sur « Up/Down » pour établir le nombre de joueurs (P2, P3, P4).

Appuyez sur « Play » pour confirmer le nombre de joueurs.

Chaque joueur dispose de deux secondes pour marquer.

Le premier joueur lance le ballon, soit dans le panier « Home » ou « Visitor ». Si le joueur marque en deux secondes, aucune lettre n'est affichée. La partie continue pour l'autre joueur. Le tableau affiche « next player P2. P3, P4 »; le voyant lumineux clignote deux fois en une seconde. Pour marquer, le joueur doit lancer le ballon dans le même panier que le joueur précédent.

Si le joueur ne marque pas dans les deux secondes réglementaires, la lettre H est affichée au tableau. Le joueur continue de jouer jusqu'à ce qu'il marque un point. Autrement, la lettre O s'affiche suivie des lettres R, S et E. Dès que la lettre E s'affiche, le joueur est éliminé.

Le premier qui accumule les lettres H-O-R-S-E perd la partie. Le dernier joueur à accumuler toutes les lettres gagne la partie.

Appuyez sur « Play » pour commencer une nouvelle partie.

## 5. Poste de contrôle

Appuyez sur « Play » pour commencer le jeu 5.

Appuyez sur « Up/Down » pour établir le nombre de joueurs (P1, P2, P3, P4).

Appuyez sur « Play » pour confirmer le nombre de joueurs.

Le tableau « Home » affiche « le joueur » et le tableau « Visitor » affiche "24" points, programmez 40 secondes de temps de jeu.

Les points marqués sont inscrits au tableau d'affichage « Home ».

Avant la fin du temps limite, dès qu'un score de 24, de 52, de 68 et de 86 s'inscrit au pointage, le temps de jeu augmente de 10 à 20 secondes et de 10 à 20 secondes respectivement.

Quand un joueur a fini de jouer, l'autre joueur doit attendre cinq secondes avant de lancer son ballon.

Le joueur avec le plus grand nombre de points remporte la partie. Un signal lumineux indique le score gagnant.

La partie prend fin dès qu'un joueur marque 98 points.

Appuyez sur « Play » pour commencer une autre partie.

## 6. Autour du monde

Utilisez du ruban adhésif pour marquer les lignes de tir.

Appuyez sur « Play » pour commencer le jeu 6.

Appuyez sur « Up/Down » pour établir le nombre de joueurs (P1, P2, P3, P4).

Appuyez sur « Play » pour confirmer le nombre de joueurs.

# Choisissez parmi 8 sortes de jeux différents

Le tableau « Home » affiche les joueurs 1, 2, 3, et 4, le tableau « Visitor » affiche les points marqués.

Dès que le pointage atteint 10 points ou que la durée atteint 99 secondes, quand un joueur a fini de jouer, l'autre joueur doit attendre cinq secondes avant de lancer le ballon.

Le joueur qui termine le premier remporte la partie.

Un signal lumineux indique le gagnant.

Appuyez sur « Play » pour commencer une nouvelle partie.

## 7. Panier gauche et panier droit

Appuyez sur « Play » pour commencer le jeu 7.

Appuyez sur « Up/Down » pour établir le nombre de joueurs (P1, P2, P3, P4).

Appuyez sur « Play » pour confirmer le nombre de joueurs.

Appuyez sur « Up/Down » pour établir la durée de la partie, 30, 45 ou 60 secondes.

Appuyez sur « Play » pour commencer la partie.

Le tableau « Home » affiche le joueur et le tableau

« Visitor » affiche les points marqués.

Marquez dans le tableau « Home » lorsque la lumière au-dessus clignote, deux points sont alors affichés au tableau « Home ».

Marquez dans le tableau « Visitor » lorsque la lumière au-dessus clignote, deux points sont alors affichés au tableau « Visitor ».

Quand un joueur a terminé de jouer, l'autre joueur doit attendre cinq secondes avant de lancer le ballon.

Le joueur avec le plus grand nombre de points remporte la partie.

Un signal lumineux indique le joueur avec le plus haut pointage.

Appuyez sur « Play » pour commencer une autre partie.

## 8. Un sur Un

Appuyez sur « Play » pour commencer le jeu 8.

Appuyez sur « Up/Down » pour établir le nombre de joueurs (P1, P2, P3, P4).

Appuyez sur « Play » pour confirmer le nombre de joueurs.

Appuyez sur « Up/Down » pour établir la durée de la partie, 30, 45 ou 60 secondes.

Appuyez sur « Play » pour commencer la partie.

Le tableau d'affichage « Home » affiche les Joueurs 1 et 3, le tableau d'affichage « Visitor » affiche les Joueurs 2 et 4.

Un lancer vaut deux points et durant les 10 dernières secondes, il vaut trois points. Quand un joueur a terminé, l'autre joueur doit attendre cinq secondes avant de lancer le ballon.

Le joueur avec le plus grand nombre de points remporte la partie. Un signal lumineux indique le joueur avec le plus haut pointage.

Appuyez sur « Play » pour commencer une autre partie.

# FÉLICITATIONS!

VOUS AVEZ ASSEMBLÉ VOTRE TABLE DE JEU.  
VEUILLEZ CONSULTER LES INSTRUCTIONS D'ENTRETIEN  
ET D'UTILISATION, CI-DESSOUS, AFIN DE CONSERVER  
VOTRE TABLE DE JEU LONGTEMPS.

## **ENTRETIEN ET UTILISATION**

1. Ce produit doit être utilisé à l'INTÉRIEUR seulement.
2. NE PAS s'asseoir, grimper ou s'appuyer sur la table de jeu.
3. NE PAS tirer sur la table pour la déplacer, cela risque d'endommager les pieds de la table.

# GARANTIE LIMITÉE DE 180 JOURS

La garantie du produit est valide pour l'acheteur original en ce qui a trait aux pièces défectueuses ou à la main-d'œuvre pour une période de 180 jours de la date d'achat.

Cette garantie n'est couverte pas les dommages causés par accident, par modification, par une installation défectueuse ou tout autre événement hors du contrôle du fabricant. Tout défaut ou dommage résultant de la négligence ou d'une mauvaise utilisation annule cette garantie. La présente garantie ne couvre pas les égratignures ou les dommages attribuables à un usage normal.

Ce produit n'est pas destiné à un usage institutionnel ou commercial; le fabricant décline toute responsabilité pour une telle utilisation. Un usage institutionnel ou commercial annule cette garantie.

Cette garantie est non transférable et est expressément limitée à la réparation ou au remplacement du produit défectueux. Au cours de la période de garantie, le fabricant s'engage à remplacer et à réparer les pièces défectueuses sans frais pour l'acheteur. Les frais d'assurance et d'expédition ne sont pas couverts et sont à la charge de l'acheteur. Les frais de main-d'œuvre et les dépenses liées au déplacement, à l'installation ou au remplacement du produit ou de ses composantes ne sont pas couverts par cette garantie.

Le fabricant se réserve le droit de faire des substitutions de recours en garantie si la pièce n'est pas disponible ou obsolète.

Le fabricant décline toute responsabilité liée à la perte d'utilisation ainsi que tous les autres coûts directs ou indirects, frais ou dommages encourus par le consommateur qui aurait été causés par une autre utilisation. L'utilisateur assume tous les risques de dommage résultant de l'utilisation de ce produit.

Cette garantie tient lieu expressément de toute autre garantie, exprimée ou implicite, y compris les garanties de qualité marchande ou d'adaptation à un emploi particulier dans la mesure permise par les lois fédérales ou provinciales. Ni le fabricant, ni aucun de ses représentants n'assument aucune autre responsabilité en rapport avec ce produit.

**Toute réclamation doit être faite par le détaillant où le produit a été acheté. Une facture ou autre preuve d'achat est nécessaire pour traiter toutes les réclamations de garantie. Le numéro de modèle et les numéros de référence figurant dans les instructions d'assemblage seront exigés lors de la soumission de demande de pièces ou de recours en garantie.**

**Pour plus d'information ou pour toute question, veuillez téléphoner au 1 800 759-0977.**