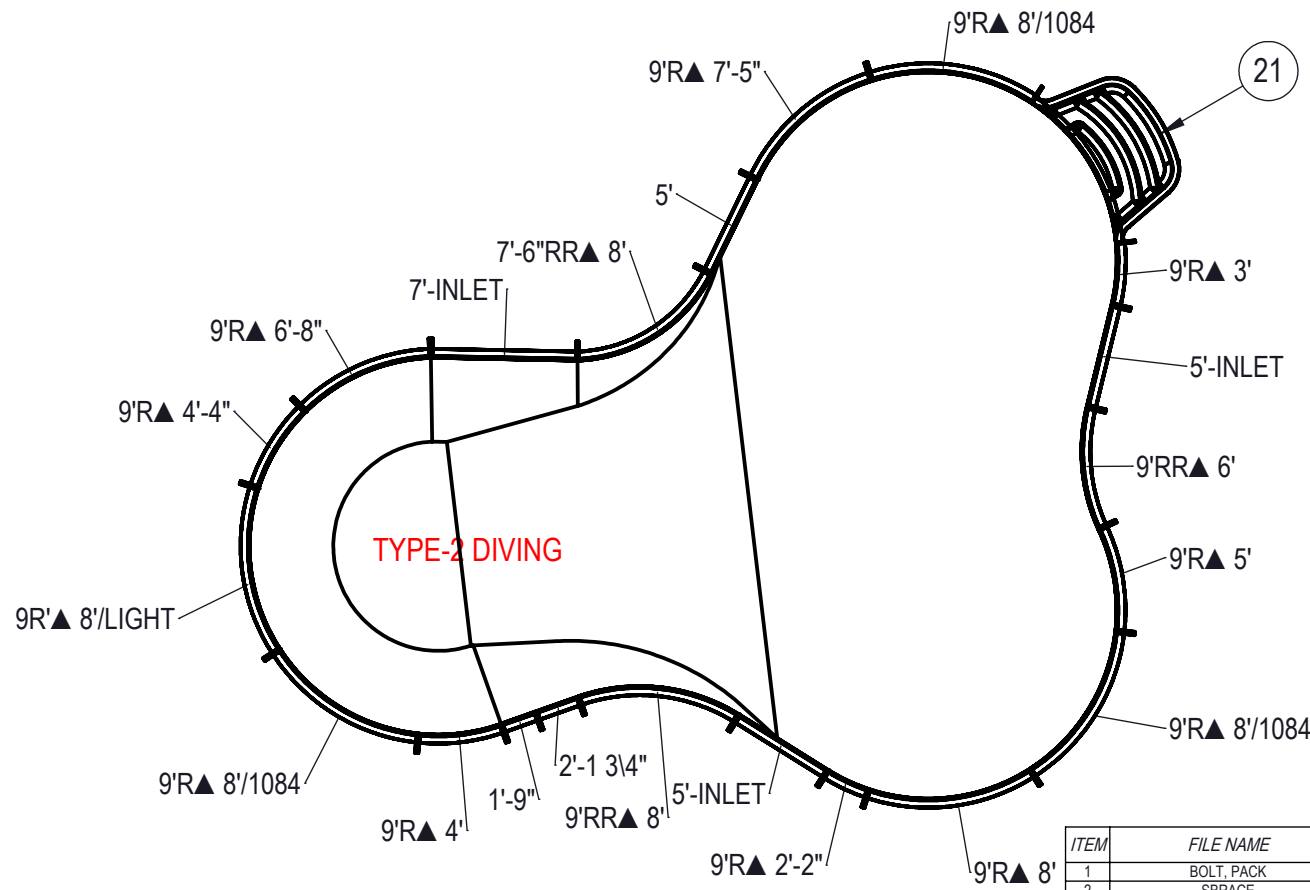


MIRROR NUMBER: MADE FROM: CHECK IN DATE/TIME: Thursday, January 18, 2018 9:38:39 AM

REVISION HISTORY				
REV.	DESCRIPTION	DATE	ECO	BY



NOTES:

1. THESE ARE FINISHED DIMENSIONS READY FOR THE LINER.
2. DIMENSIONS ARE FROM INSIDE POOL PANELS.
3. ROPE AND FLOAT ASSEMBLY SHOULD BE INSTALLED IN ACCORDANCE WITH CURRENT ANSI/ASPS/ICC REGULATIONS
4. HYDRA LINER TRACK FOR STEPS IS INSTALLED WITH THE BARB FACING THE RISER WALL ON THE STEP.

EXCAVATION NOTES:

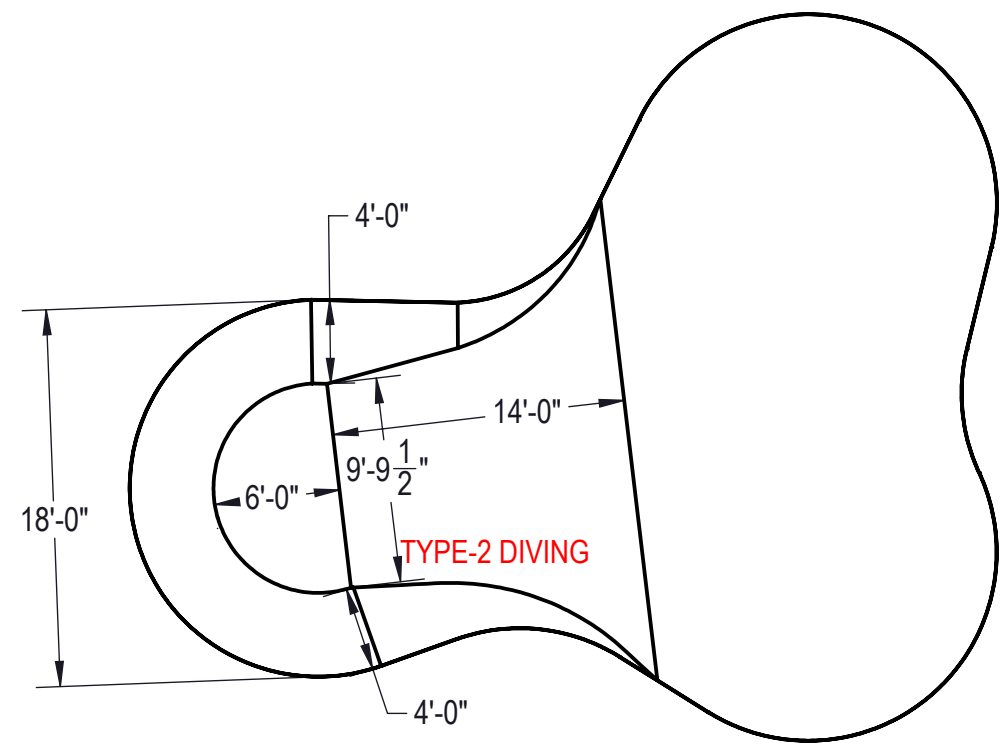
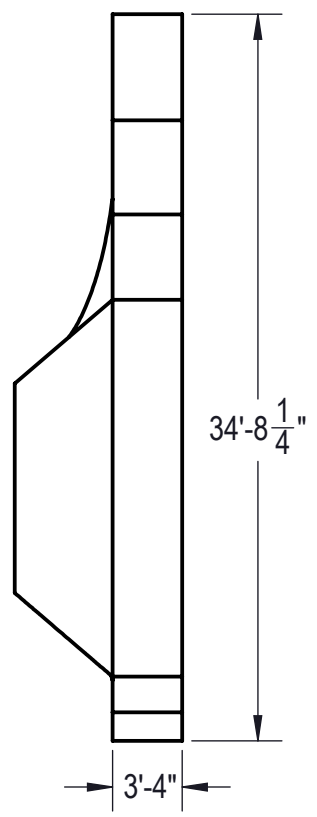
5. ROUGH EXCAVATION SHOULD BE 2" DEEPER IN EACH INSTANCE.
6. SOIL TO HAVE MINIMUM BEARING CAPACITY OF 1500 PSF.
7. LOCATE TOP OF POOL AT LEAST 6" ABOVE THE SURROUNDING LAND ELEVATION.
8. SEE "OVER DIG DETAIL" FOR EXCAVATION AROUND POOL.
9. FILL VOIDS UNDER BASE OF PANELS AND TAMP WELL.
10. BACK FILL WITH NON-EXPANSIVE MATERIAL.
11. FOLLOW ALL CURRENT ANSI / APSP / ICC GUIDELINES FOR RESIDENTIAL POOLS

IMPORTANT NOTES:

THIS DOCUMENT IS FOR ILLUSTRATIVE PURPOSES ONLY. THE DEALER OR CONTRACTOR WHO SELLS OR INSTALLS YOUR POOL IS AN INDEPENDENT CONTRACTOR AND IS NOT AN AGENT OF THE MANUFACTURER. THE CONSTRUCTION METHODS ILLUSTRATED HERE ARE SUGGESTIONS AND APPLY ONLY TO NORMAL GROUND CONDITIONS. THERE MAY BE ADDITIONAL PRECAUTIONS AND/OR METHODS OF CONSTRUCTION. PROPER INSTALLATION IS THE RESPONSIBILITY OF THE DEALER/BUILDER/CONTRACTOR.

ITEM	FILE NAME	DESCRIPTION	CUSTOMER DRAWING #	VENDOR PART #	QTY.
1	BOLT, PACK	BOLT, FLANGE, 3/8-16 X 1", PACK (50)	HPS1916	HPS1916	5
2	SBRACE	BRACE, FOLD OVER WITH TURNBUCKLE, STEEL, HPSFOB	HPSFOB	HPSFOB	22
3	PANEL, STRAIGHT	PANEL, 1'-9" LONG, 600 SERIES	HPSD19P	00001292	1
4	PANEL, STRAIGHT	PANEL, 2'-1 3/4" LONG, 600 SERIES	HPSCS3P	00006084	1
5	PANEL, STRAIGHT	PANEL, 5' LONG, 600 SERIES	HPSD105P	00000674	1
6	PANEL, STRAIGHT	PANEL, 5' LONG, INLET, 600 SERIES	HPSCS5	00006520	2
7	PANEL, STRAIGHT	PANEL, 7' LONG, INLET, 600 SERIES	HPS1071	00005251	1
8	PANEL, RR	PANEL, 7'-6" REVERSE RADIUS, 8' LONG, 600 SERIES	HPSD76RR8	00001754	1
9	PANEL, RADIUS	PANEL, 9' RADIUS, 2'-2" LONG, 600 SERIES	HPSCR3	00006646	1
10	PANEL, RADIUS	PANEL, 9' RADIUS, 3' LONG, 600 SERIES	HPSD9R3	00000351	1
11	PANEL, RADIUS	PANEL, 9' RADIUS, 4' LONG, 600 SERIES	HPSD9R4	00000353	1
12	PANEL, RADIUS	PANEL, 9' RADIUS, 4'-4" LONG, 600 SERIES	HPSCR5	00007845	1
13	PANEL, RADIUS	PANEL, 9' RADIUS, 5' LONG, 600 SERIES	HPSD9R5	00000354	1
14	PANEL, RADIUS	PANEL, 9' RADIUS, 6'-8" LONG, 600 SERIES	HPSCR7	00009791	1
15	PANEL, RADIUS	PANEL, 9' RADIUS, 7'-5" LONG, 600 SERIES	HPSCR8	00006977	1
16	PANEL, RADIUS	PANEL, 9' RADIUS, 8' LONG, 1084, 600 SERIES	HPSD9R884	00000272	3
17	PANEL, RADIUS	PANEL, 9' RADIUS, 8' LONG, 600 SERIES	HPSD9R8	00000395	1
18	PANEL, RADIUS	PANEL, 9' RADIUS, 8' LONG, LIGHT, 600 SERIES	HPSD9R8L	00000398	1
19	PANEL, RR	PANEL, 9' REVERSE RADIUS, 6' LONG, 600 SERIES	HPSD9RR6	00000393	1
20	PANEL, RR	PANEL, 9' REVERSE RADIUS, 8' LONG, 600 SERIES	HPSD9RR8	00000436	1
21	HS311N	STEP, 8' RADIUS, 4 TREAD, CANTILEVER	HS311N	HS311N	1

ENGINEERING DRAWING NUMBER: 00017258	WEIGHT: 364303.9 lbs	UNLESS OTHERWISE SPECIFIED DIMENSIONS ARE IN INCHES TOLERANCES DECIMALS: X ± .1 XX ± .01 XXX ± .001 XXXX ± .0005 ANGULAR: X ± 0.5 THIRD ANGLE PROJECTION 	DESIGNED BY: BUMPHREY	CREATION DATE: 6/15/2016	HYDRA POOLS
	VOLUME: Inch³		DETAILED BY: BUMPHREY	DETAILED DATE: 1/18/2018	
	COLOR:		LAST REVISED BY: bumphrey	LAST REVISED DATE: 1/18/2018	
	HEAT TREAT:		MATERIAL:	TITLE: LAYOUT, 18' X 42' X 34', AMEBA, 8' DEEP, HS311N, LIGHT, 3-1084, 3-INLET, 600 SERIES	
	FINISH:				
TEXTURE:			PART NUMBER: 00017258	SCALE: 1:192	SIZE: A

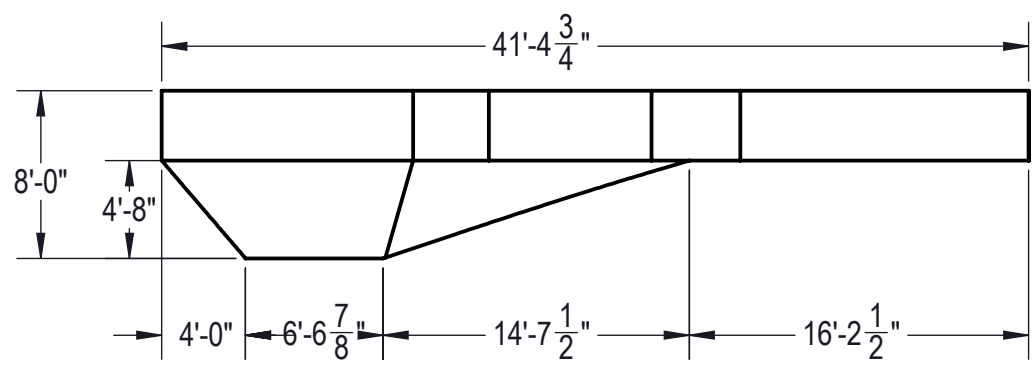


Area: 924.82ft ^2
Perimeter: 128.48ft
Volume = 29752 US gallons

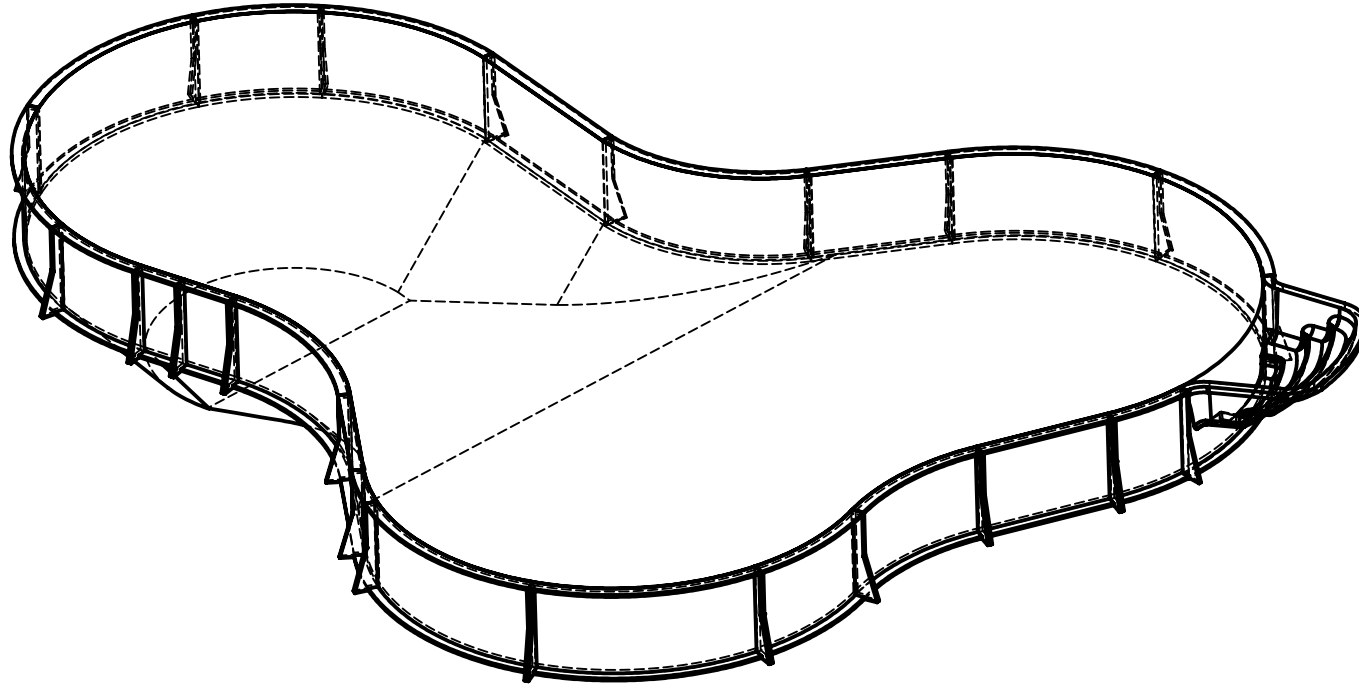
- NOTES:**
1. THESE ARE FINISHED DIMENSIONS READY FOR THE LINER.
 2. DIMENSIONS ARE FROM INSIDE POOL PANELS.
 3. ROPE AND FLOAT ASSEMBLY SHOULD BE INSTALLED IN ACCORDANCE WITH CURRENT ANSI/ASPS/ICC REGULATIONS
 4. HYDRA LINER TRACK FOR STEPS IS INSTALLED WITH THE BARB FACING THE RISER WALL ON THE STEP.


- EXCAVATION NOTES:**
5. ROUGH EXCAVATION SHOULD BE 2" DEEPER IN EACH INSTANCE.
 6. SOIL TO HAVE MINIMUM BEARING CAPACITY OF 1500 PSF.
 7. LOCATE TOP OF POOL AT LEAST 6" ABOVE THE SURROUNDING LAND ELEVATION.
 8. SEE "OVER DIG DETAIL" FOR EXCAVATION AROUND POOL.
 9. FILL VOIDS UNDER BASE OF PANELS AND TAMP WELL.
 10. BACK FILL WITH NON-EXPANSIVE MATERIAL.
 11. FOLLOW ALL CURRENT ANSI / APSP / ICC GUIDELINES FOR RESIDENTIAL POOLS

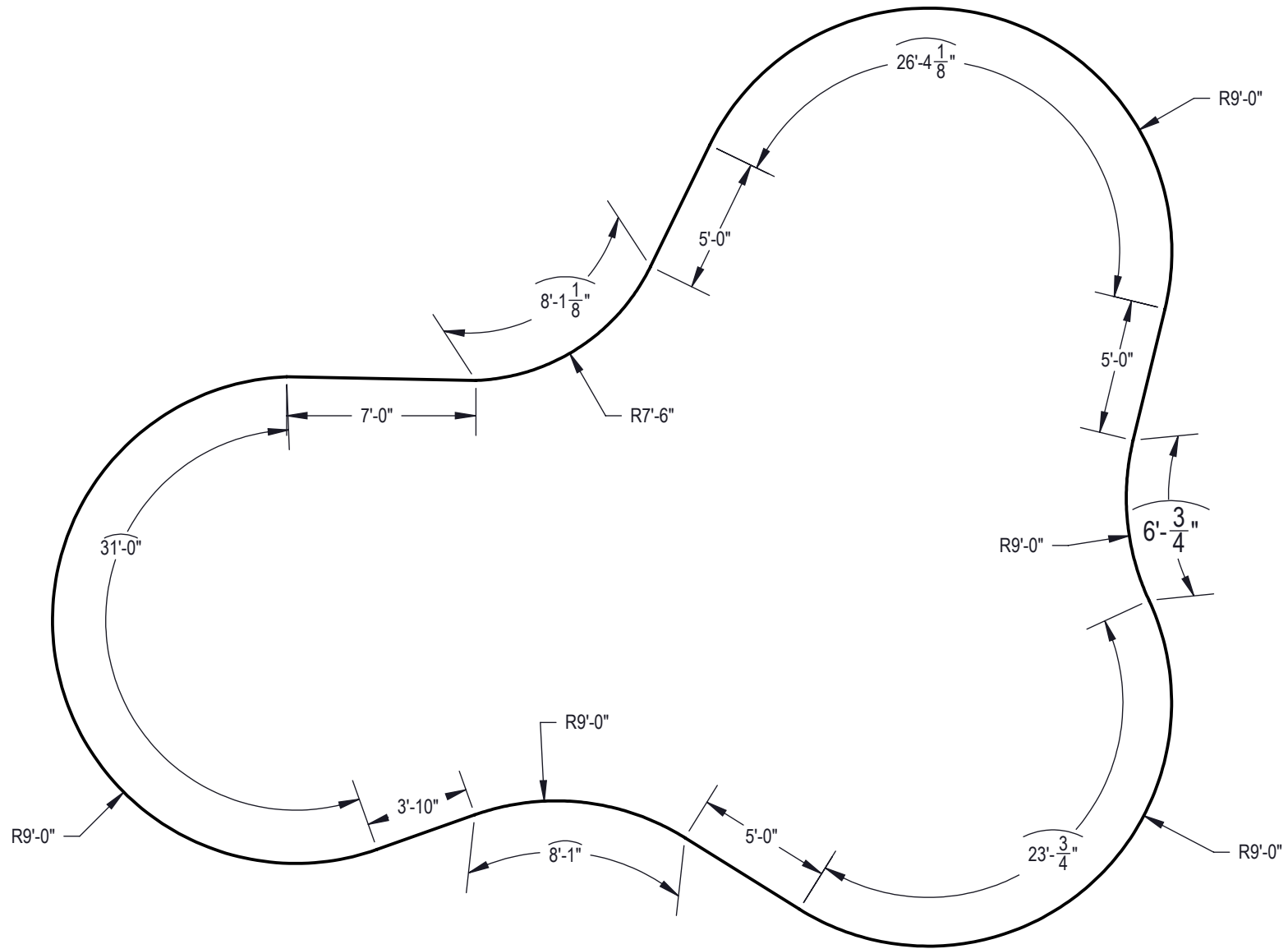
IMPORTANT NOTES:
 THIS DOCUMENT IS FOR ILLUSTRATIVE PURPOSES ONLY. THE DEALER OR CONTRACTOR WHO SELLS OR INSTALLS YOUR POOL IS AN INDEPENDENT CONTRACTOR AND IS NOT AN AGENT OF THE MANUFACTURER. THE CONSTRUCTION METHODS ILLUSTRATED HERE ARE SUGGESTIONS AND APPLY ONLY TO NORMAL GROUND CONDITIONS. THERE MAY BE ADDITIONAL PRECAUTIONS AND/OR METHODS OF CONSTRUCTION. PROPER INSTALLATION IS THE RESPONSIBILITY OF THE DEALER/BUILDER/CONTRACTOR.



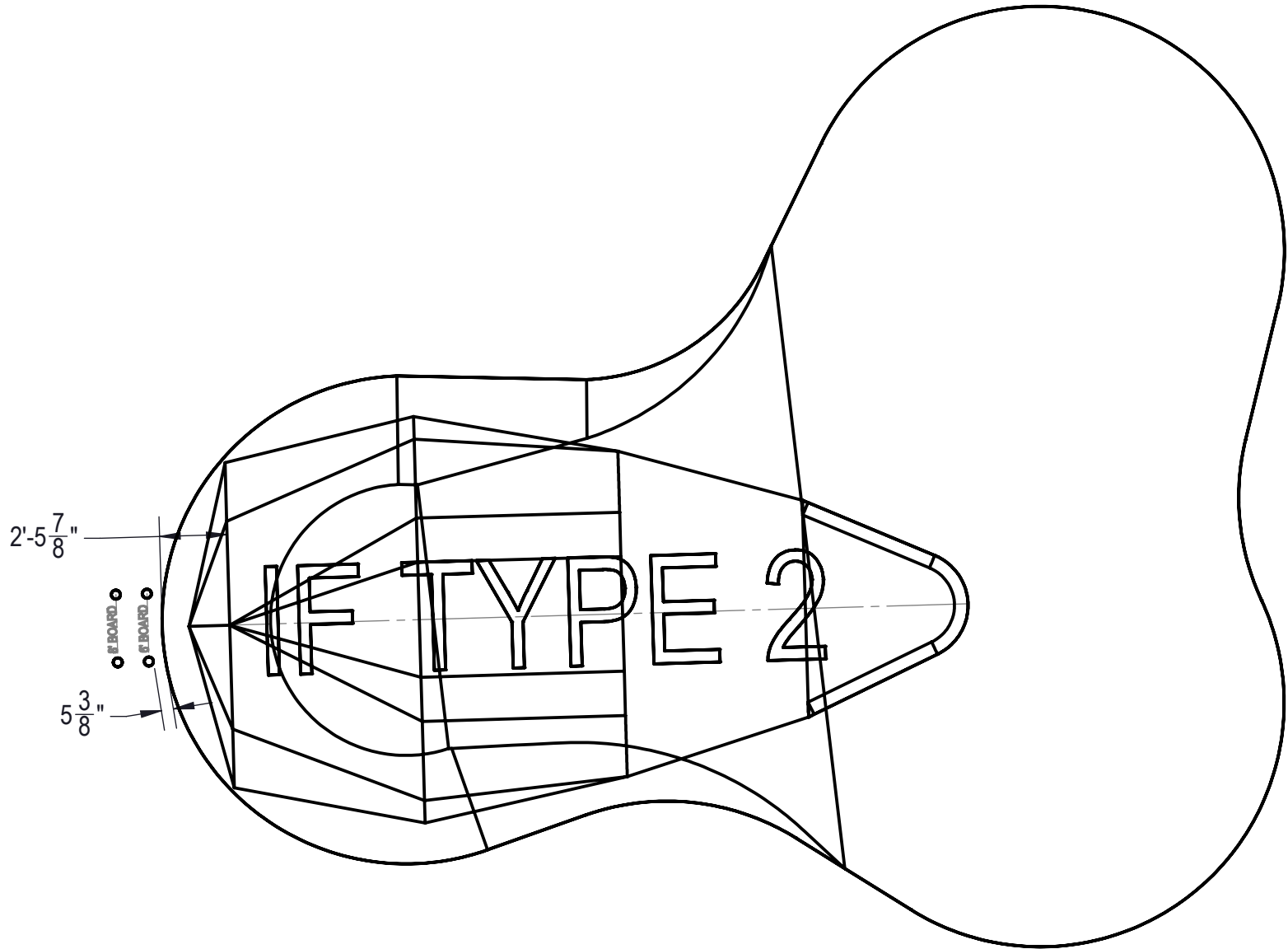
ENGINEERING DRAWING NUMBER: 00017258	WEIGHT: 112622375 lbs	UNLESS OTHERWISE SPECIFIED DIMENSIONS ARE IN INCHES TOLERANCES DECIMALS: X ± .1 XX ± .01 XXX ± .001 XXXX ± .0005 ANGULAR: X ± 0.5 THIRD ANGLE PROJECTION 	DESIGNED BY: BUMPHREY	CREATION DATE: 7/17/2014	HYDRA POOLS	
	VOLUME: 112622375056 Inch ³		DETAILED BY: BUMPHREY	DETAILED DATE: 1/18/2018		
	COLOR: NA		LAST REVISED BY: bumpfhrey	LAST REVISED DATE: 1/18/2018	TITLE: LAYOUT, 18' X 42' X 34', AMEBA, 8" DEEP, HS311N, LIGHT, 3-1084, 3-INLET, 600 SERIES	
	HEAT TREAT: NA		MATERIAL: Material <not specified>			
	FINISH: NA		PART NUMBER: <div style="font-size: 2em; font-weight: bold;">00017258</div>			
TEXTURE: NA			SHEET: 2 OF 5			



ENGINEERING DRAWING NUMBER: 00017258	WEIGHT: 364303.9 lbs	UNLESS OTHERWISE SPECIFIED DIMENSIONS ARE IN INCHES TOLERANCES DECIMALS: X ± .1 XX ± .01 XXX ± .001 XXXX ± .0005 ANGULAR: X ± 0.5 THIRD ANGLE PROJECTION 	DESIGNED BY: BUMPHREY	CREATION DATE: 6/15/2016	HYDRA POOLS	
	VOLUME: Inch³		DETAILED BY: BUMPHREY	DETAILED DATE: 1/18/2018		
	COLOR:		LAST REVISED BY: bumphrey	LAST REVISED DATE: 1/18/2018		
	HEAT TREAT:		MATERIAL:		TITLE: LAYOUT, 18' X 42' X 34', AMEBA, 8" DEEP, HS311N, LIGHT, 3-1084, 3-INLET, 600 SERIES	
	FINISH:		PART NUMBER:			
	TEXTURE:		00017258			
				SCALE: 1:192	SIZE: A	
				SHEET: 3 OF 5		



ENGINEERING DRAWING NUMBER: 00017258	WEIGHT: 112622375 lbs	UNLESS OTHERWISE SPECIFIED DIMENSIONS ARE IN INCHES TOLERANCES DECIMALS: X ± .1 XX ± .01 XXX ± .001 XXXX ± .0005 ANGULAR: X ± 0.5 THIRD ANGLE PROJECTION 	DESIGNED BY: BUMPHREY	CREATION DATE: 7/17/2014	HYDRA POOLS TITLE: LAYOUT, 18' X 42' X 34', AMEBA, 8" DEEP, HS311N, LIGHT, 3-1084, 3-INLET, 600 SERIES		
	VOLUME: 112622375056 Inch ³		DETAILED BY: BUMPHREY	DETAILED DATE: 1/18/2018			
	COLOR: NA		LAST REVISED BY: bumphrey	LAST REVISED DATE: 1/18/2018			
	HEAT TREAT: NA		MATERIAL: Material <not specified>		PART NUMBER: 00017258	SCALE: 1:192	A
	FINISH: NA				SHEET: 4 OF 5		
	TEXTURE: NA						



ENGINEERING DRAWING NUMBER: 00017258	WEIGHT: 364303.9 lbs	UNLESS OTHERWISE SPECIFIED DIMENSIONS ARE IN INCHES TOLERANCES DECIMALS: X ± .1 XX ± .01 XXX ± .001 XXXX ± .0005 ANGULAR: X ± 0.5 THIRD ANGLE PROJECTION 	DESIGNED BY: BUMPHREY	CREATION DATE: 6/15/2016	HYDRA POOLS TITLE: LAYOUT, 18' X 42' X 34', AMEBA, 8" DEEP, HS311N, LIGHT, 3-1084, 3-INLET, 600 SERIES		
	VOLUME: Inch ³		DETAILED BY: BUMPHREY	DETAILED DATE: 1/18/2018			
	COLOR:		LAST REVISED BY: bumphrey	LAST REVISED DATE: 1/18/2018			
	HEAT TREAT:		MATERIAL:		PART NUMBER:	SCALE: 1:192	SIZE: A
	FINISH:				00017258	SHEET: 5 OF 5	
	TEXTURE:						