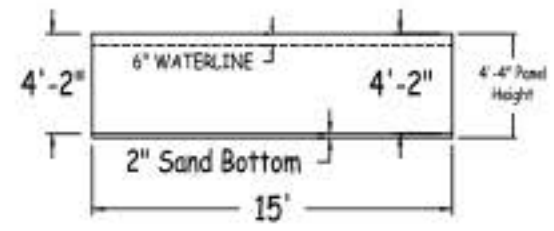
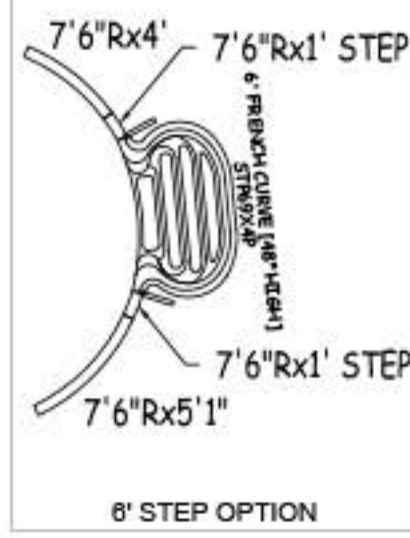
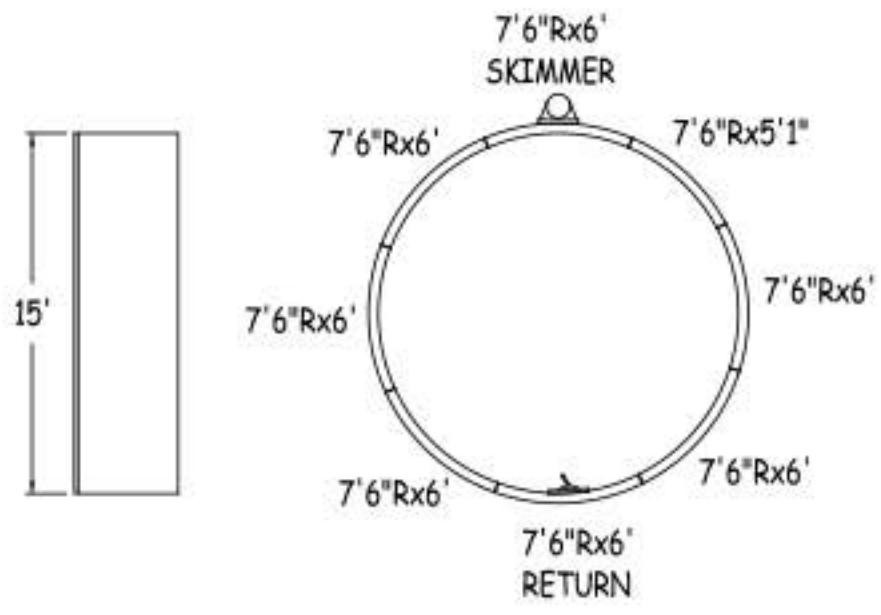


IN ACCORDANCE WITH ANSI/APSP/ICC-5 2011, THE INSTALLER IS RESPONSIBLE FOR PLACING ONE SKIMMER FOR EVERY 800 SQUARE FEET OF SURFACE AREA AND ONE RETURN FOR EVERY 300 SQUARE FEET OF SURFACE AREA.



**Bartop**  
OG Pool System

**ROUND 15-0 X 15-0**

52" STEEL PANELS	PERIMETER:	47'2"	VOLUME (US Gal):	4800
DWG#: B5ROFBS1515-14	SURFACE (sq ft):	177	VOLUME (Liters):	18200
KIT#: ROFBS1515	LINER (ft <sup>2</sup> ):	177	DATE: 1/1/2014	DSR: N/A
	COVER (ft <sup>2</sup> ):	289	SCALE: 1/8" = 1'-0"	

ALWAYS ENTER POOL

**NON-DIVING POOL**

USE OF DIVING EQUIPMENT IS PROHIBITED

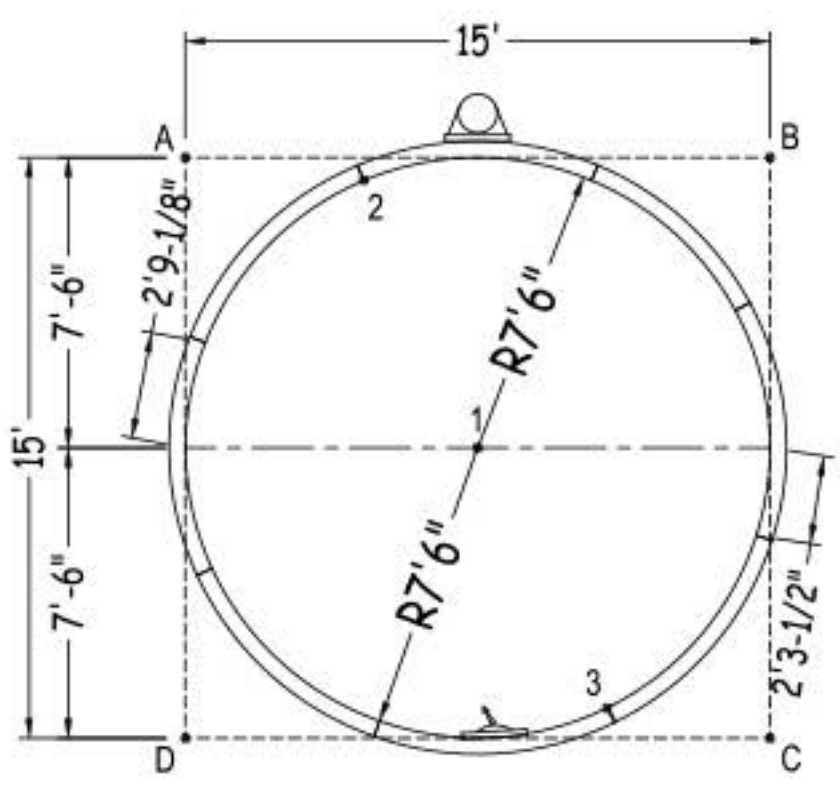
**Feet First**

MEETS DEPTH AND SHAPE MINIMUM STANDARD ANSI/APSP/ICC-5 2011

SHEET: 1 OF 2

43

Diagonals  
2 To 3 | 15'0"



Part number	Description	QTY	Option / Base
RA0720900X	7'6"Rx6"	5	3
RA0720900*	7'6"Rx6" SKIMMER	1	1
RA0720900*	7'6"Rx6" RETURN	1	1
RA0610900X	7'6"Rx5'1"	1	1
RA0480900X	7'6"Rx4'	-	1
RA0120900S	7'6"Rx1' STEP	-	2
RA072102SC	6'0"X4' STEP CONNECTOR	-	1
Brace**	Brace	-	2
IPC-BT52WCS-2	COMPRESSION STRAP 2PC	8	10
IPC-DRVSTK12G	BRACE COMP D-STK 3"X24" 90D 12G	-	2
IPC-STKPK25	REBAR STAKE 18" 25PC	1	1
IPC-HDWSTRT150	BOLT STR 3/8-16X1" C/W NUT 150PC	1	1
STP69X4P	ACRYLIC STEP FRENCH CURVE 6' (48")	-	1

\*\* RECOMMENDED BRACE: Generic (XXX-XXX)

	A	B	C	D
1	10'-7 1/4"	10'-7 1/4"	10'-7 1/4"	10'-7 1/4"
2	4'-7 1/2"	10'-5 1/4"	17'-9 1/2"	15'-1 1/2"
3	17'-10 1/2"	14'-10"	4'-3"	10'-10 1/4"
A	-	15'0"	21'-2 1/2"	15'0"