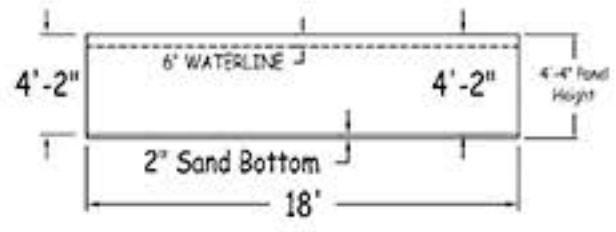
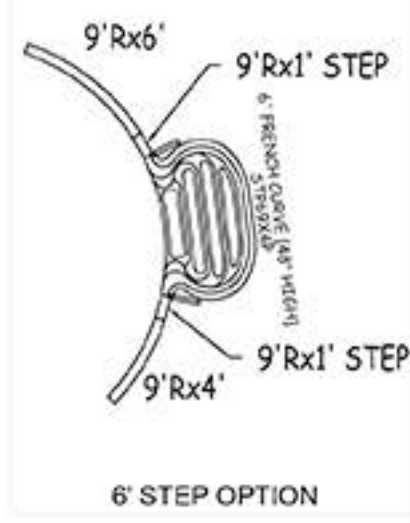
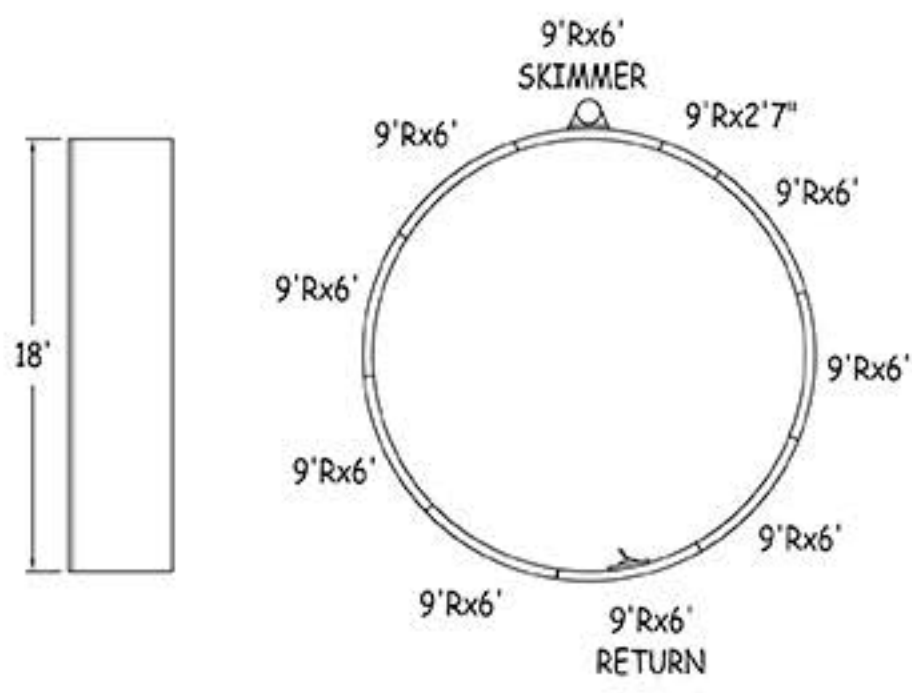


IN ACCORDANCE WITH ANSI/APSP/ICC-5 2011, THE INSTALLER IS RESPONSIBLE FOR PLACING ONE SKIMMER FOR EVERY 800 SQUARE FEET OF SURFACE AREA AND ONE RETURN FOR EVERY 300 SQUARE FEET OF SURFACE AREA.



<b>Bartop</b> OG Pool System		<b>ROUND 18-0 X 18-0</b>	
52" STEEL PANELS	PERIMETER: 567"	VOLUME (US Gal):	7000
DWG#: B5ROFBS1818-14	SURFACE (ft <sup>2</sup> ): 254	VOLUME (Liters):	26500
KIT#: ROFBS1818	LINER (ft <sup>2</sup> ): 254	DATE: 1/1/2014	DSR: N/A
	COVER (ft <sup>2</sup> ): 400	SCALE: 1/8" = 1'-0"	

ALWAYS ENTER POOL

**NON-DIVING POOL**

USE OF DIVING EQUIPMENT IS PROHIBITED

**Feet First**

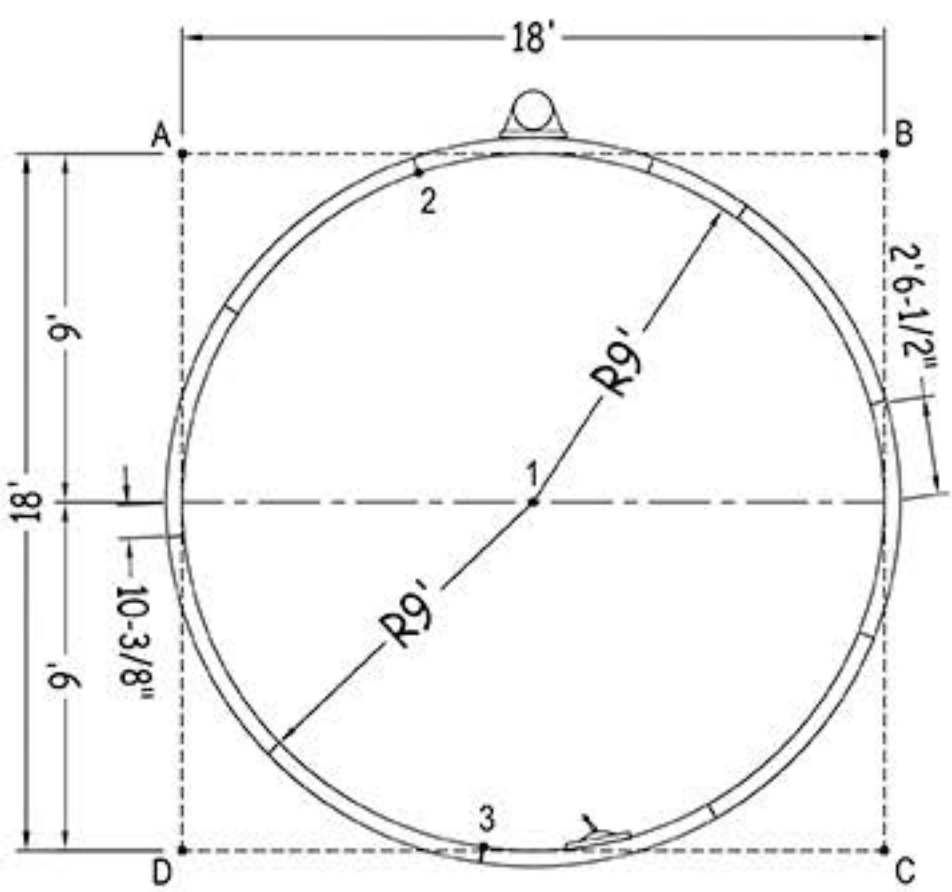
MEETS DEPTH AND SHAPE MINIMUM STANDARD ANSI/APSP/ICC-5 2011

SHEET: 1 OF 2

Diagonals
2 To 3   17'-6"

Part number	Description	QTY	Option / Base
RA0721080X	9'Rx6'	7	5
RA0721080*	9'Rx6' SKIMMER	1	1
RA0721080*	9'Rx6' RETURN	1	1
RA0481080X	9'Rx4'	-	1
RA0311080X	9'Rx2'7"	1	1
RA0121080S	9'Rx1' STEP	-	2
RA072102SC	6'0"X4' STEP CONNECTOR	-	1
Brace**	Brace	-	2
IPC-BT52WCS-2	COMPRESSION STRAP 2PC	10	12
IPC-DRVSTK12G	BRACE COMP D-STK 3'X24" 90D 12G	-	2
IPC-STKPK25	REBAR STAKE 18" 25PC	1	1
IPC-HDWSTRT150	BOLT STR 3/8-16X1" C/W NUT 150PC	1	1
STP69X4P	ACRYLIC STEP FRENCH CURVE 6' (48")	-	1

\*\* RECOMMENDED BRACE: IPC-FBT3PC-52



	A	B	C	D
1	12'-8 3/4"	12'-8 3/4"	12'-8 3/4"	12'-8 3/4"
2	6'-1"	11'-11 1/2"	21'-2 1/4"	18'-6 1/4"
3	19'-6"	20'-7 3/4"	10'-3 1/4"	7'-8 3/4"
A	-	18'0"	25'-5 1/2"	18'0"