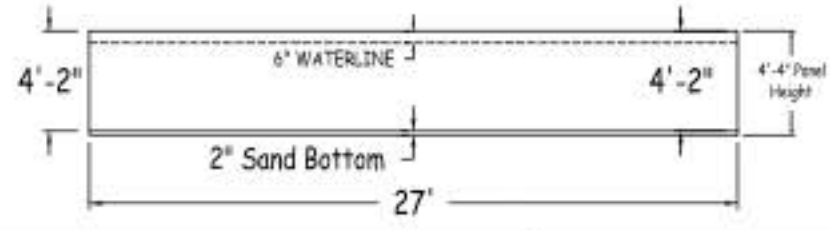
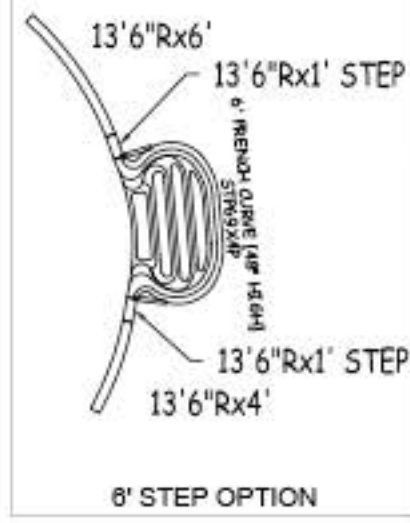
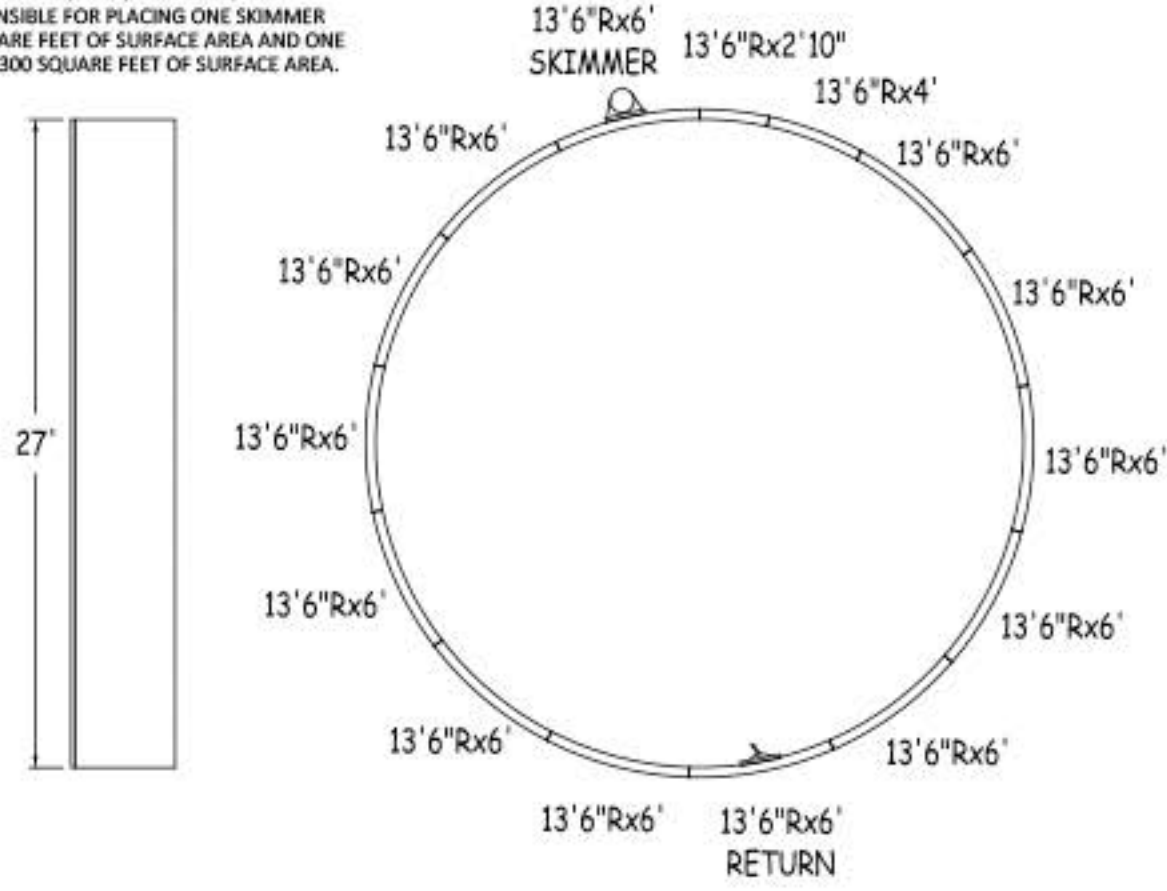


IN ACCORDANCE WITH ANSI/APSP/ICC-5 2011, THE INSTALLER IS RESPONSIBLE FOR PLACING ONE SKIMMER FOR EVERY 800 SQUARE FEET OF SURFACE AREA AND ONE RETURN FOR EVERY 300 SQUARE FEET OF SURFACE AREA.



| | | | | |
|---------------------------------|---------------------------|--------|---------------------|----------|
| Bartop OG Pool System | ROUND 27-0 X 27-0 | | | |
| 52" STEEL PANELS | PERIMETER: | 64'10" | VOLUME (US Gal): | 15700 |
| DWG#: B5ROFBS2727-14 | SURFACE (sq ft): | 573 | VOLUME (Liters): | 59400 |
| KIT#: ROFBS2727 | LINER (ft ²): | 572 | DATE: 1/1/2014 | DSR: N/A |
| | COVER (ft ²): | 841 | SCALE: 1/8" = 1'-0" | |

ALWAYS ENTER POOL

NON-DIVING POOL

USE OF DIVING EQUIPMENT IS PROHIBITED

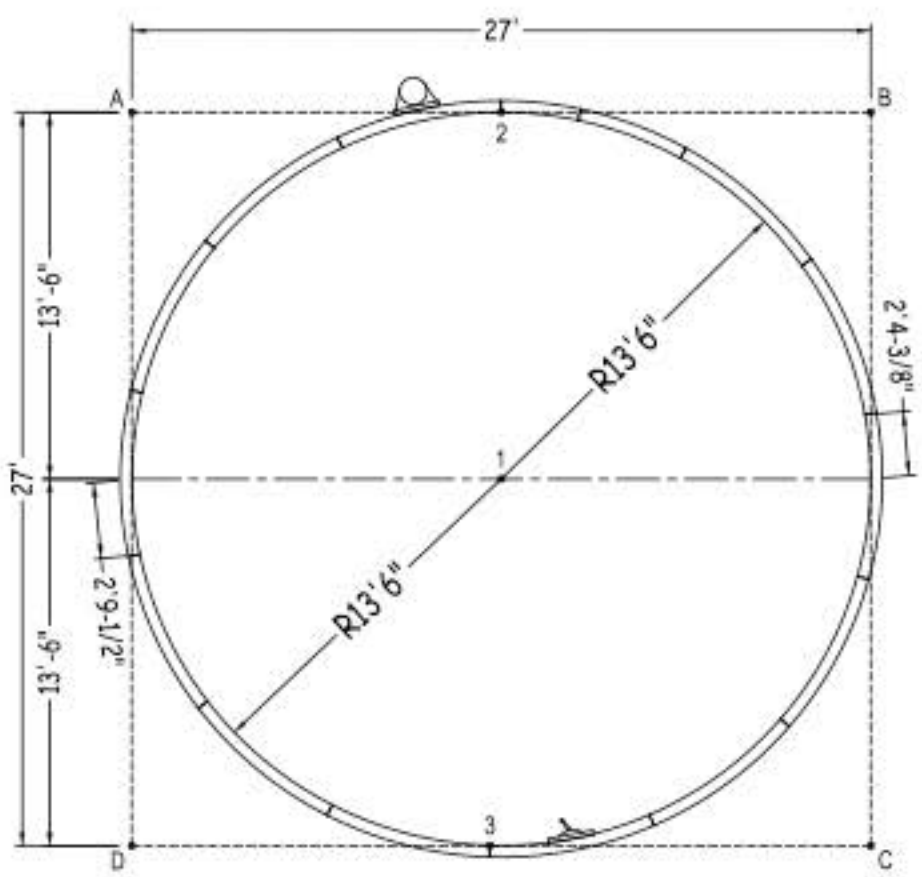
Feet First

MEETS DEPTH AND SHAPE MINIMUM STANDARD ANSI/APSP/ICC-5 2011

ROUND

SHEET: 1 OF 2

| |
|--------------|
| Diagonals |
| 2 To 3 27'0" |



| Part number | Description | QTY | Option / Base |
|----------------|------------------------------------|-----|---------------|
| RA0721620X | 13'6"Rx6" | 11 | 9 |
| RA0721620* | 13'6"Rx6" SKIMMER | 1 | 1 |
| RA0721620* | 13'6"Rx6" RETURN | 1 | 1 |
| RAD481620X | 13'6"Rx4" | 1 | 2 |
| RA0341620X | 13'6"Rx2'10" | 1 | 1 |
| RA0121620S | 13'6"Rx1" STEP | - | 2 |
| RA072102SC | 6'0"X4" STEP CONNECTOR | - | 1 |
| Brace** | Brace | - | 2 |
| IPC-BT52WCS-2 | COMPRESSION STRAP 2PC | 15 | 17 |
| IPC-DRVSTK12G | BRACE COMP D-STK 3"X24" 90D 12G | - | 2 |
| IPC-STKPK25 | REBAR STAKE 18" 25PC | 1 | 1 |
| IPC-HDWSTRT150 | BOLT STR 3/8-16X1" C/W NUT 150PC | 1 | 2 |
| STP69X4P | ACRYLIC STEP FRENCH CURVE 6" (48") | - | 1 |

** RECOMMENDED BRACE: Generic (XXX-XXX)

| | A | B | C | D |
|---|--------|------------|------------|------------|
| 1 | 19'-1" | 19'-1" | 19'-1" | 19'-1" |
| 2 | 13'-6" | 13'-6" | 30'-2 1/4" | 30'-2 1/4" |
| 3 | 30'0" | 30'-4 1/2" | 13'-11" | 13'-1" |
| A | - | 27'0" | 38'-2 1/4" | 27'0" |