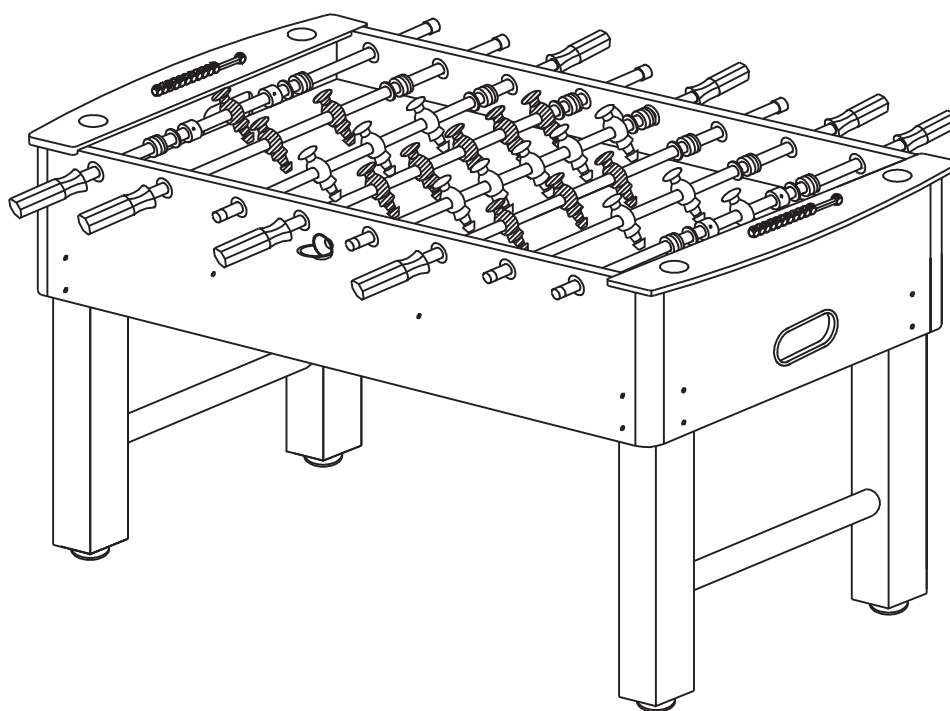


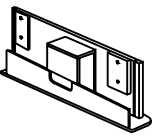
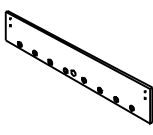
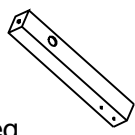
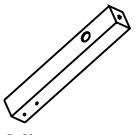

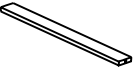

















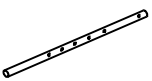

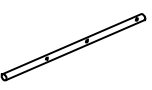
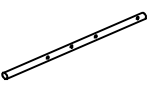
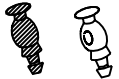





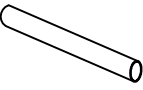

CHAMBERLAIN GAME TABLES

ASSEMBLY INSTRUCTIONS FOR
NEW YORK NIGHTS
56 INCH FOOSBALL TABLE

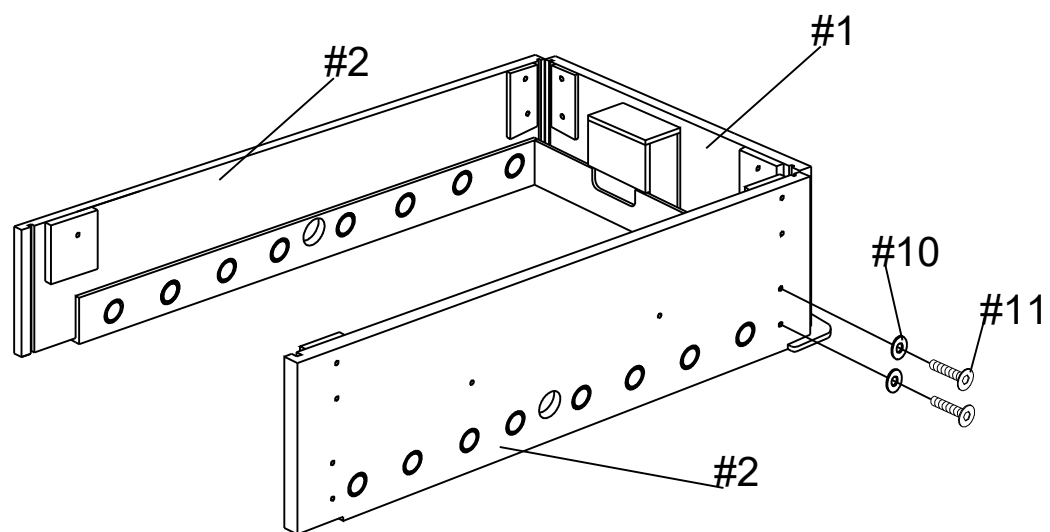


PG-4002

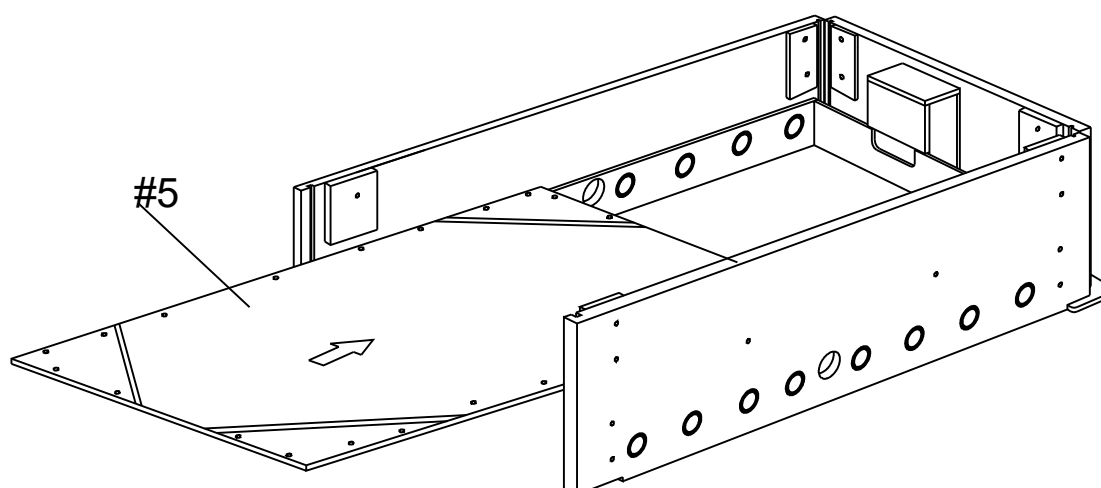
PART LIST

<p>#1</p>  <p>Short-side Boards 2 pcs</p>	<p>#2</p>  <p>Long-side Boards 2 pcs</p>	<p>#3</p>  <p>Left Leg 2 pcs</p>	<p>#4</p>  <p>Right Leg 2 pcs</p>	<p>#5</p>  <p>Playfield 1 pc</p>
<p>#6</p>  <p>Field Support brace 2 pcs</p>	<p>#7</p>  <p>Bolts 8 pcs</p>	<p>#8</p>  <p>Wrench 1 pc</p>	<p>#9</p>  <p>Bolts 16 pcs</p>	<p>#10</p>  <p>Washers 24 pcs</p>
<p>#11</p>  <p>Bolts 8 pcs</p>	<p>#12</p>  <p>Screws 16 pcs</p>	<p>#13</p>  <p>Screws 24 pcs</p>	<p>#14</p>  <p>Screws 4 pcs</p>	<p>#15</p>  <p>Screws 2 pcs</p>
<p>#16</p>  <p>8# Bolts 26 pcs</p>	<p>#17</p>  <p>Nuts 26 pcs</p>	<p>#18</p>  <p>Screws 4 pcs</p>	<p>#19</p>  <p>Leg Levellers 4 pcs</p>	<p>#20</p>  <p>Rod End caps 8 pcs</p>
<p>#21</p>  <p>Bumpers 16 pcs</p>	<p>#22</p>  <p>Plastic Washers 16 pcs</p>	<p>#23</p>  <p>Rod Handles 8 pcs</p>	<p>#24</p>  <p>5-Man Rods 2 pcs</p>	<p>#25</p>  <p>3-Man Rods 2 pcs</p>
<p>#26</p>  <p>2-Man Rods 2 pcs</p>	<p>#27</p>  <p>1-Man Rods 2 pcs</p>	<p>#28</p>  <p>Players 22 pcs</p>	<p>#29</p>  <p>Bushings 4 pcs</p>	<p>#30</p>  <p>Cambered Aprons 4 pcs</p>
<p>#31</p>  <p>Counters 2 pcs</p>	<p>#32</p>  <p>Ball Cups 2 pcs</p>	<p>#33</p>  <p>Cups 4 pcs</p>	<p>#34</p>  <p>Tubes 2 pcs</p>	<p>#35</p>  <p>Soccer Balls 2 pcs</p>

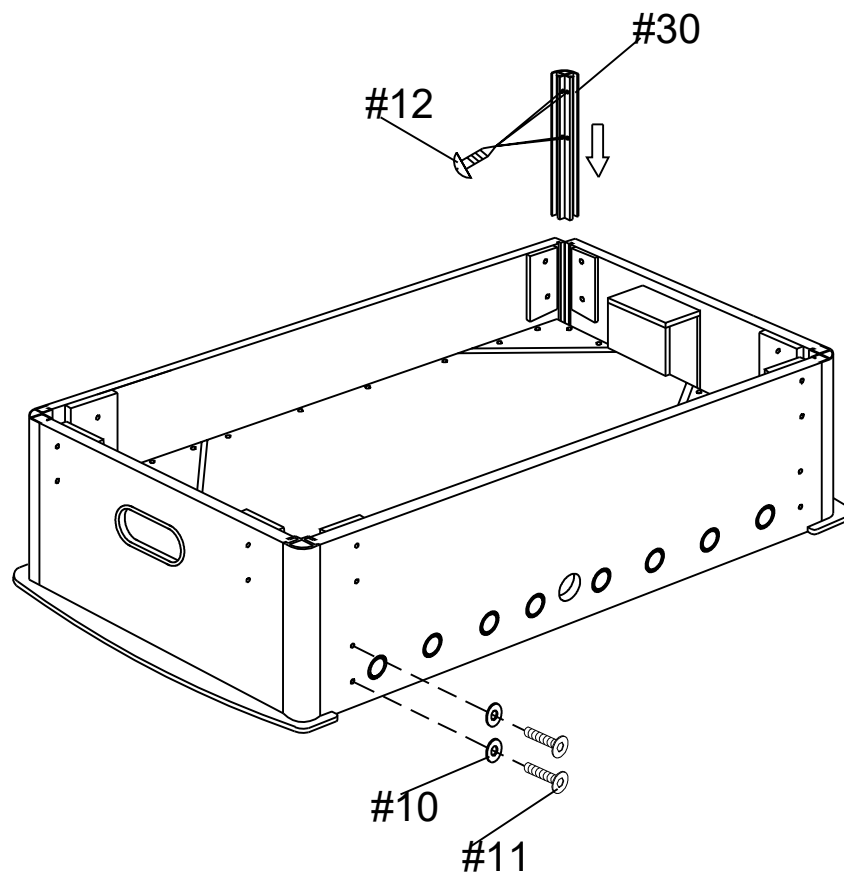
Step 1



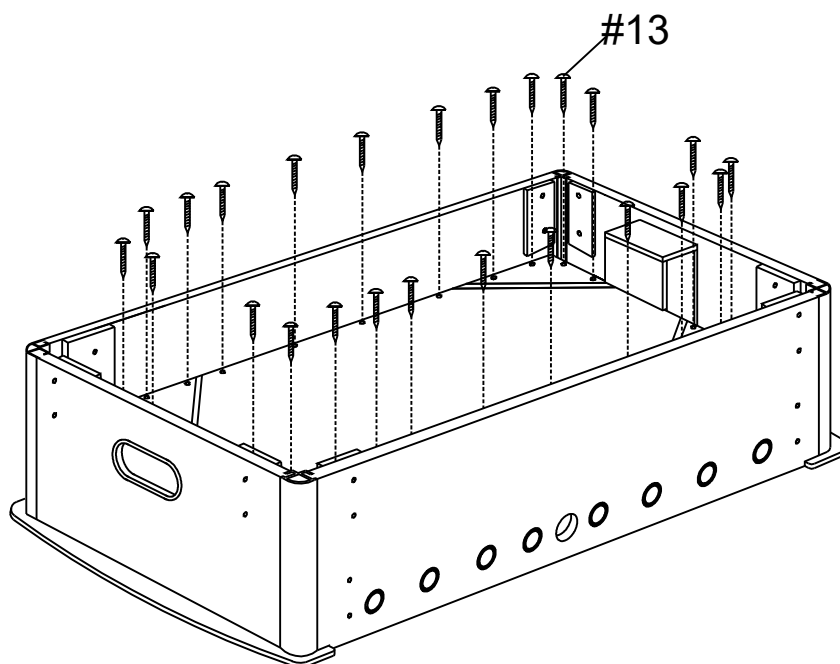
Step 2



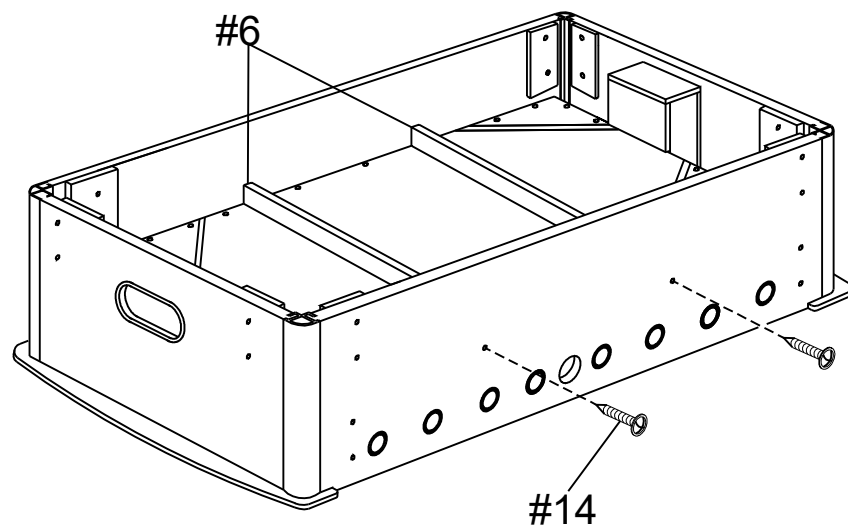
Step 3



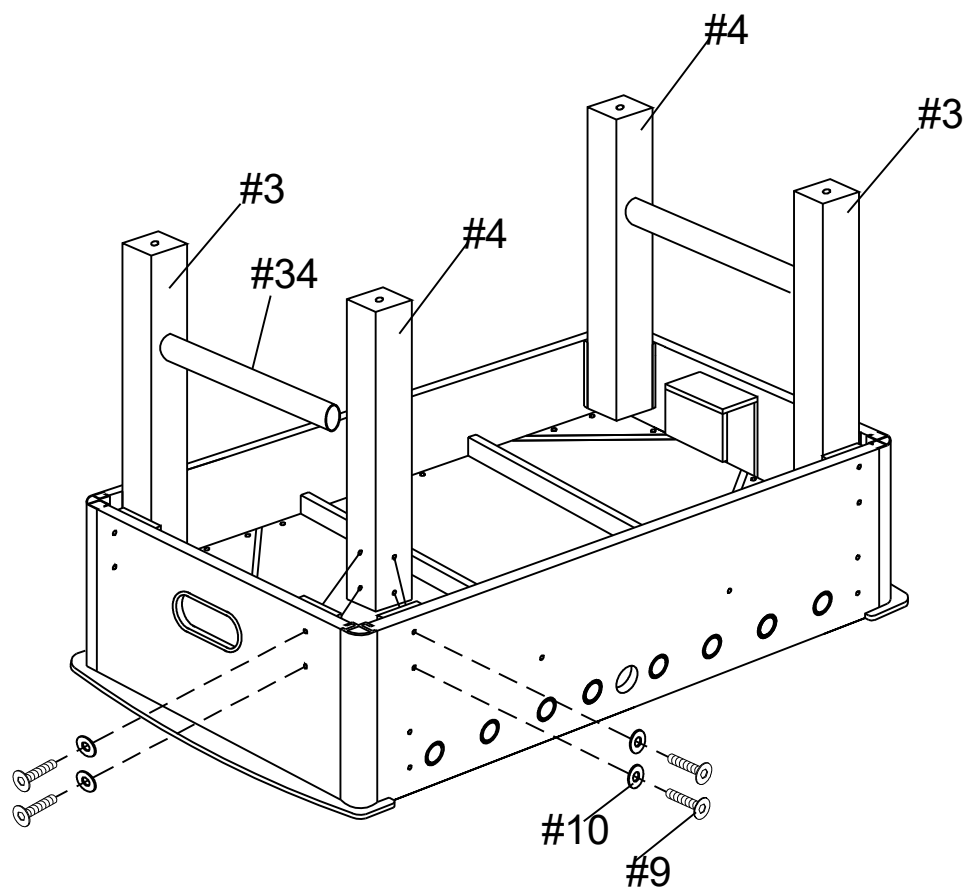
Step 4



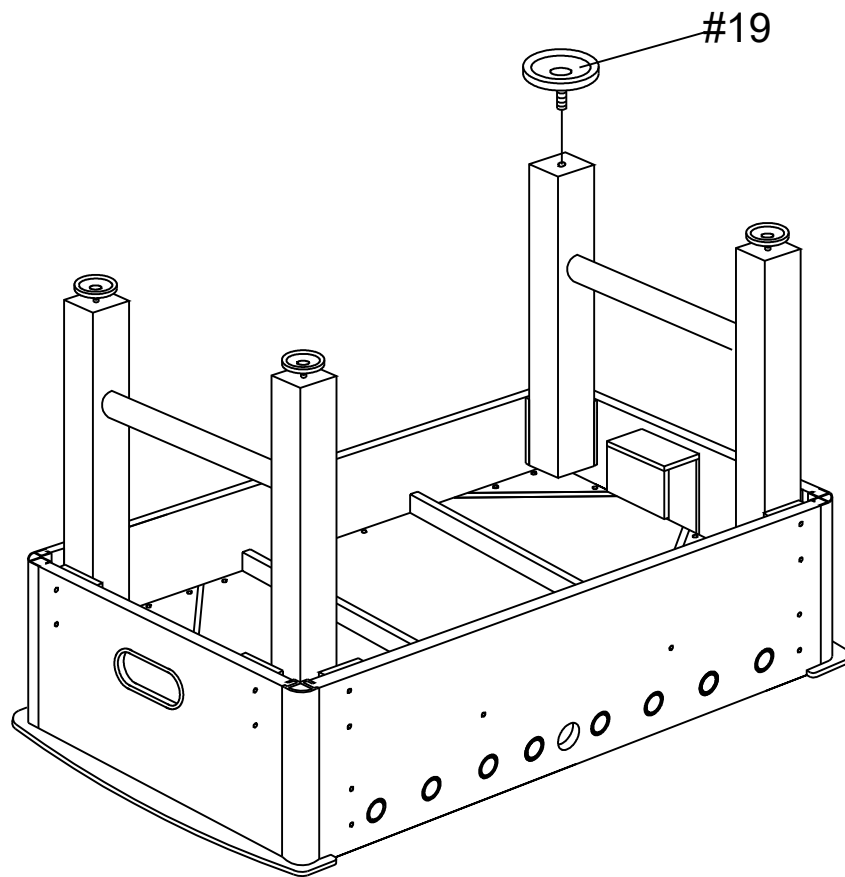
Step 5



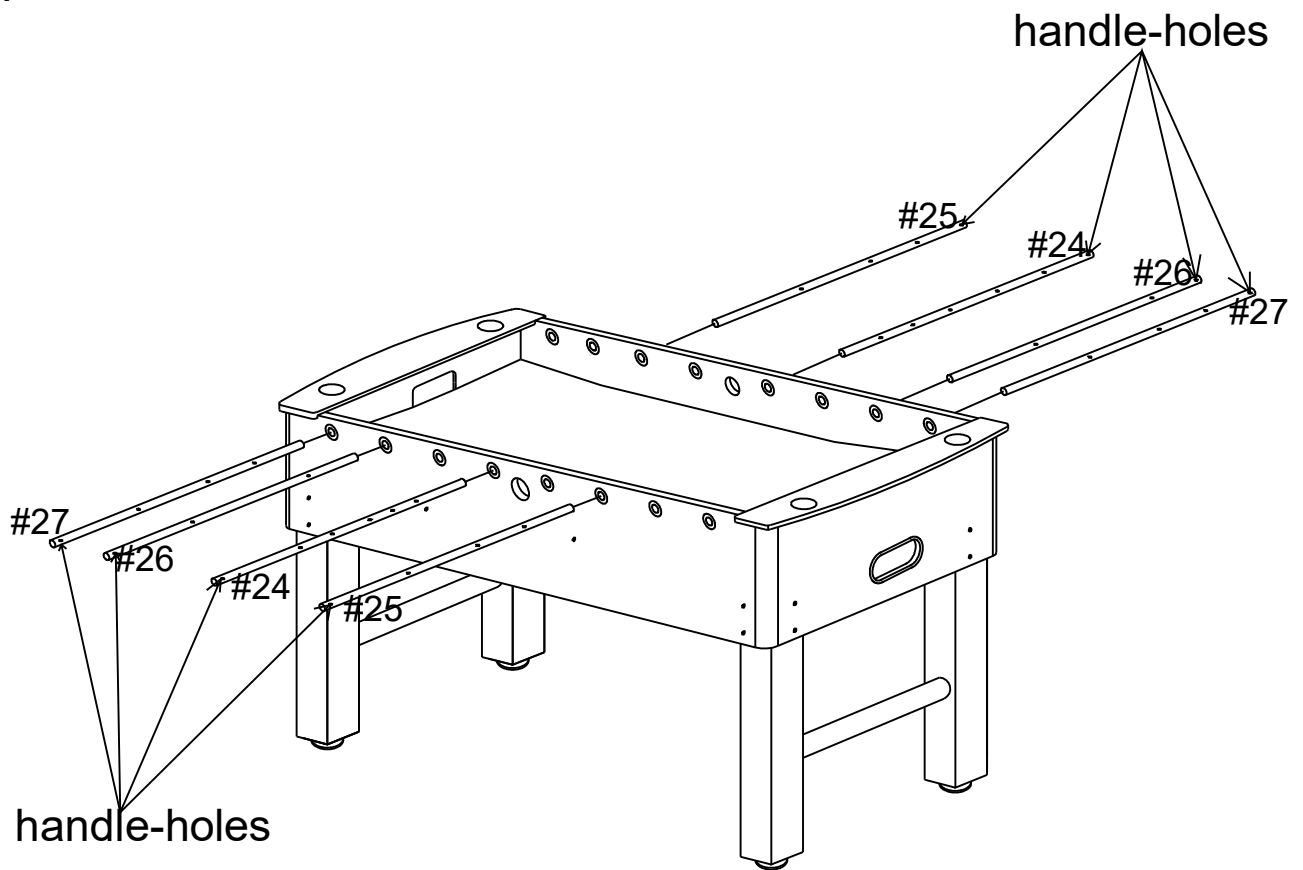
Step 6



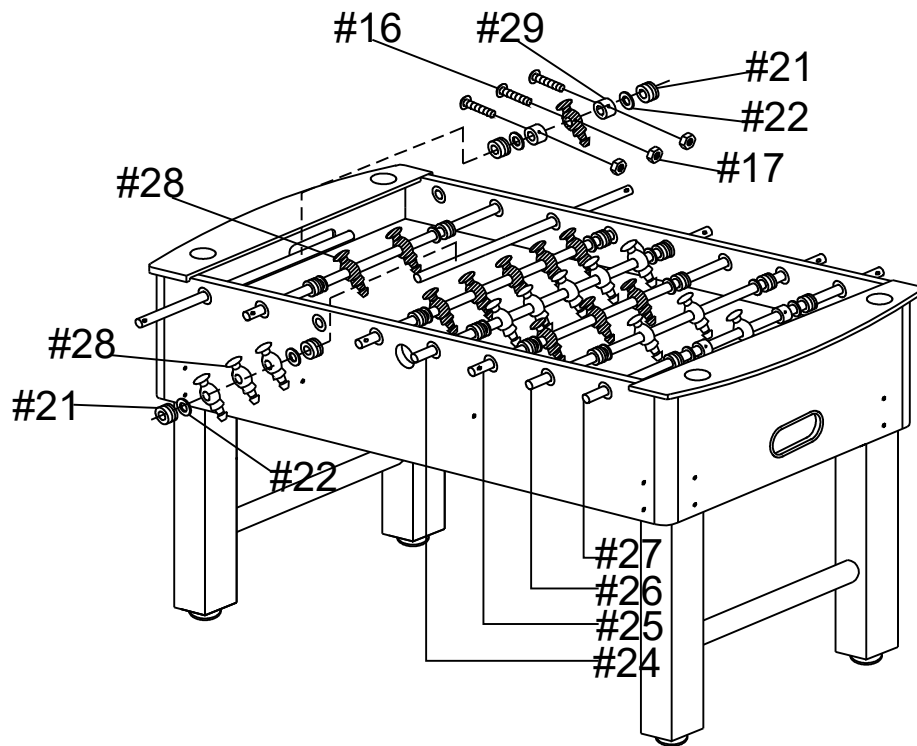
Step 7



Step 8



Step 9



Step 10

