

NEWPORT 8' DELUXE POOL TABLE - NG2522PG

Spec Sheet

Pocket Sizes

Corner Pockets: 5" across the top upper edge of cushion

Side Pockets: 5.5" across the top upper edge of cushion

Level 1" thick CARB certified poly-sealed MDF playing surface with playing dimensions of 88" L x 44" W

High quality blended polyester/wool green felt

K-66 gum rubber cushions

96.25"

53.75"

8.5"

32"

24"

4" wide durable dark cherry wood laminate top rails w/ .5" white inlaid sights

Side & end panels are 3/4" MDF with dark cherry wood laminate. 3/4" thick CARB certified MDF used for all structural components

Chrome accent cabinet trim with chrome finished ABS molded corner connectors. Rest of corner is dark cherry wood laminate

39.5"

68.5"

6" dia. chrome finished ABS Leg Levelers w/ rubberized bottom covers



Accessories: Includes set of 2.25" dia. poly-resin pool balls, two 57" pool cues, racking triangle, table brush and 2 chalk.

All components are CARB certified MDF unless otherwise specified.



< Bad Pocket

Good Pocket >



There should be no blemishes or discoloration of felt. Rails should be wrapped tightly with no wrinkles and no gaps where corners meet.

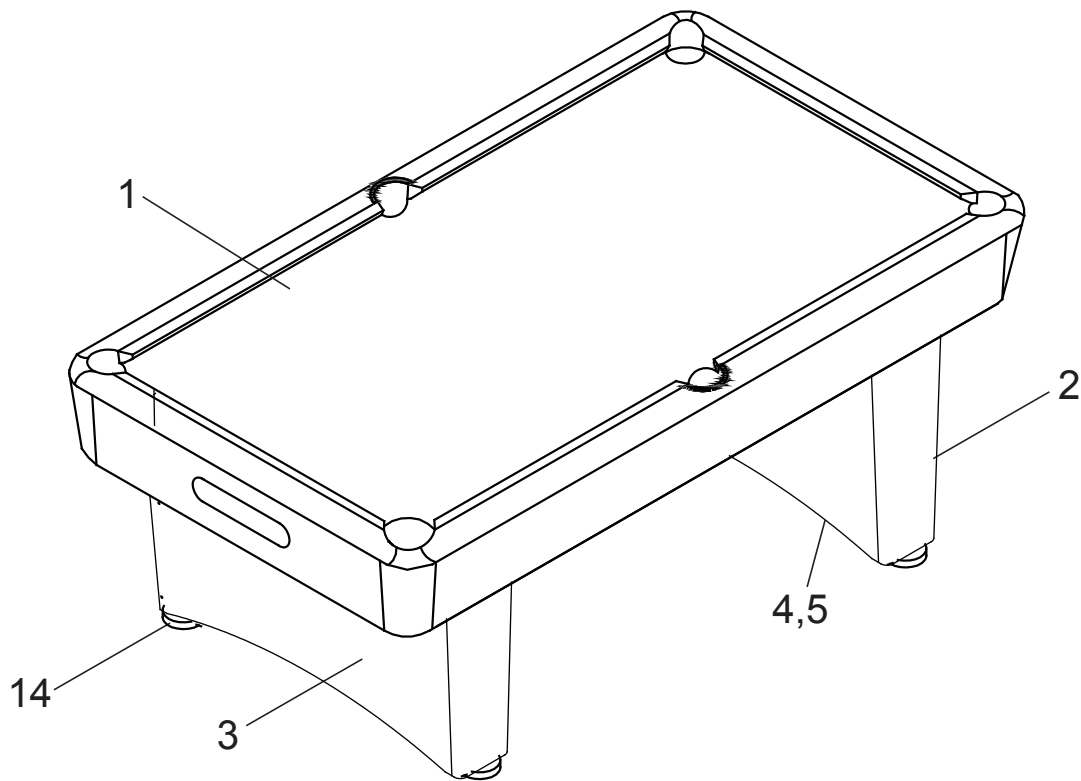


Ball return liners should be firmly glued in place with NO bubbles or wrinkles.

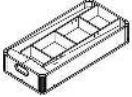

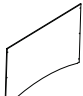
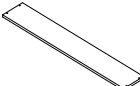
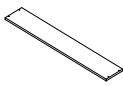






Pockets should be aligned symmetrically in holes and be secured with black staples. Ends should not protrude into playing surface.

NEWPORT 8' DELUXE POOL TABLE - NG2522PG






Spec Sheet



PARTS

#1 NGP5950  TABLE BODY	#2 NGP5951  LEG SIDE	#3 NGP5952  LEG PANEL	#4 NGP5731  LEG TOP	#5 NGP57293  LEG BASE	#9 NGP5136  BILLIARD BALLS	#10 NGP5077  CHALK
#11 NGP5719  CUE STICK	#12 NGP5135  TRIANGLE	#13 NGP5073  BRUSH	#14 NGP5720  LEG LEVELER			

HARDWARE PACK - NGP5730

#6  5/16 INCH FLAT WASHER	#7  1-5/8" SCREW	#8  HEX WRENCH	#15  LARGE BOLT	#16  1-5/8" FLATSCREW
---------------------------------------------------------------------------------------------------------------------------	------------------------------------------------------------------------------------------------------------------	----------------------------------------------------------------------------------------------------------------	-----------------------------------------------------------------------------------------------------------------	------------------------------------------------------------------------------------------------------------------------