

DIAGRAM 1

TOOLS REQUIRED FOR ASSEMBLY:  
ADJUSTABLE WRENCH OR 10MM AND 11MM WRENCH OR EQUIVALENT  
LARGE PHILLIPS HEAD SCREWDRIVER

## HARDWARE

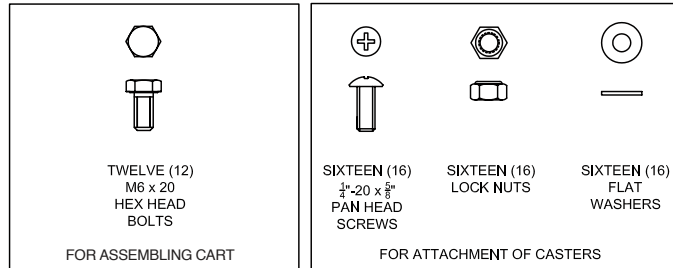
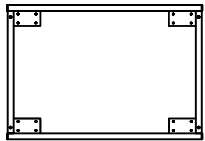
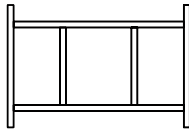


DIAGRAM 2

## SUB-ASSEMBLIES



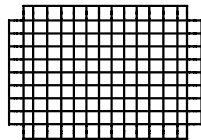
BOTTOM  
FRAME



SHELF



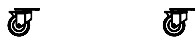
TOP FRAME



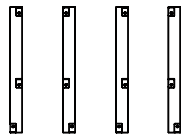
WIRE  
BASKET



TWO (2) SWIVEL CASTERS



TWO (2) LOCKING SWIVEL  
CASTERS

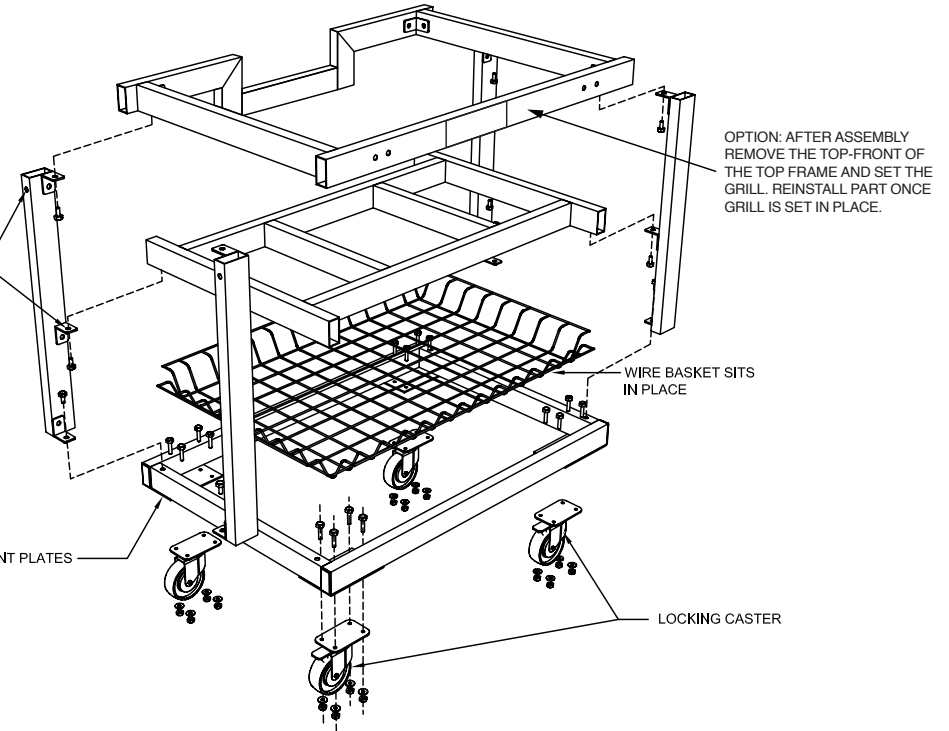


VERTICALS  
TWO (2) RIGHT  
TWO (2) LEFT

DIAGRAM 3

PROPER ALIGNMENT OF VERTICALS;  
HOLE FOR OPTIONAL SHELF  
(SOLD SEPARATELY)  
GOES AT TOP FACING OUTWARD WITH  
ATTACHMENT TABS FACING IN

CASTER ATTACHMENT PLATES  
FACE DOWNWARD



OPTION: AFTER ASSEMBLY  
REMOVE THE TOP-FRONT OF  
THE TOP FRAME AND SET THE  
GRILL. REINSTALL PART ONCE  
GRILL IS SET IN PLACE.

WIRE BASKET SITS  
IN PLACE

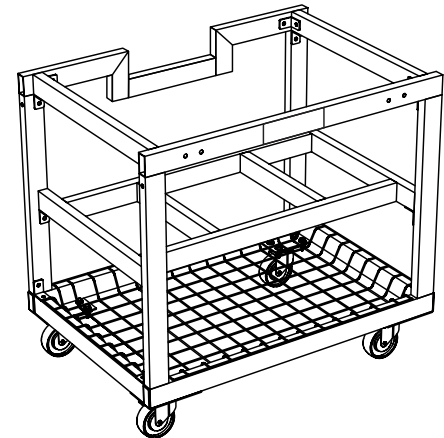
LOCKING CASTER

## ASSEMBLY INSTRUCTIONS

HANDLE METAL PARTS WITH CARE AS SOME MAY HAVE SHARP EDGES.

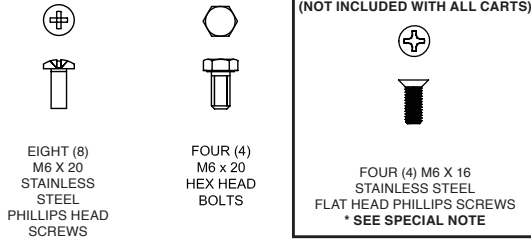
1. Remove all parts from the packaging and compare to the parts list.
2. Secure 2 locking casters to one long side of the bottom frame. Use the Pan Head Screws, Washers and Locking Nuts to attach the casters to the mounting plates. While holding the casters flat to the bottom of the mounting plate, insert the screws from the top and place a washer and locking nut on from the bottom and tighten. Repeat this step for the remaining two casters and set the base frame casters down on your work surface.
3. Install the 4 verticals. Holding the vertical with the threaded brass grommet up and pointing to the outside of the cart frame, gently thread the hex bolt into the grommets at the corners of the bottom frame (finger tighten only).
4. Position the shelf over the middle brackets with the threaded brass grommets facing downward. Gently thread the hex bolts into the shelf from the bottom (finger tighten only).
5. Install the Top Frame by orienting the brass grommets facing downward, with the long side positioned over the locking casters on the bottom frame (the cut out side should be above the regular swivel casters). Secure from below with the hex bolts and finger tighten.
6. Place the cart on a flat surface and tighten all twelve hex bolts with a 10mm wrench. DO NOT USE POWERED SCREWDRIVERS, DRILLS, OR IMPACT WRENCHES TO TIGHTEN THE BOLTS. This could result in damage to the cart or grommets.
7. Slide the wire basket into place. You are now ready to install your Primo Grill. As an option you may remove the top-front of the Top Frame and set the Grill. Reinstall the part once the grill is set in place.

DIAGRAM 4

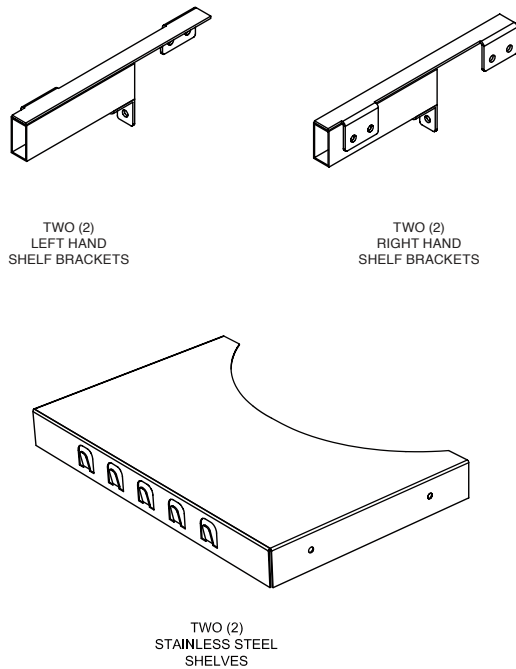


TOOLS REQUIRED FOR ASSEMBLY:  
ADJUSTABLE WRENCH OR 10MM WRENCH  
LARGE PHILLIPS HEAD SCREWDRIVER

## HARDWARE



## COMPONENTS



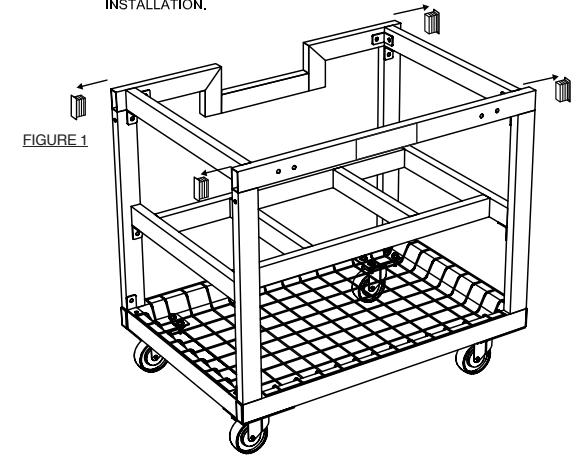
## ASSEMBLY INSTRUCTIONS

HANDLE METAL PARTS WITH CARE AS SOME MAY HAVE SHARP EDGES.

1. Remove all parts from the packaging and compare to the parts list.
2. SEE FIGURE 1 RIGHT. Remove 4 end caps prior to installation of shelf brackets if previously installed.
3. SEE FIGURE 2 BELOW. Install the 4 brackets to the frame of the cart with four M6 x 20 hex head bolts. (finger tighten only). \*SEE SPECIAL NOTE BEFORE PROCEEDING.
4. SEE FIGURE 3 BELOW. Fit the side shelves over the brackets and cart frame. For an Oval XL, use the outer most set of holes and for a Oval LG use the innermost set. The Oval JR shelf brackets have a single set of holes as seen in figure 4.
5. Adjust both the shelf and brackets to align the openings in order to screw the shelf to the cart. Being careful not to cross-thread the screws, finger tighten each of the 4 phillips head screws per shelf before setting them tightly with the screwdriver.
6. Once both shelves are installed, go back and tighten the brackets to the cart frame. DO NOT USE POWERED SCREWDRIVERS, DRILLS, OR IMPACT WRENCHES TO TIGHTEN THE BOLTS. This could result in damage to the cart or grommets.

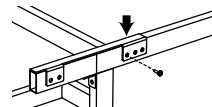
### STARTING POINT

NOTE: GRILL DOES NOT NEED TO BE REMOVED FROM CART TO PERFORM THIS INSTALLATION.



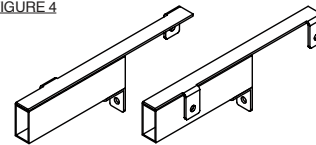
**\* SPECIAL NOTE :** Some carts ship with Shelf Brackets that have 3 holes facing the cart side (illustration below). Shelf brackets with a 3rd hole accept a M6x16 Phillips Head fastener that fastens through the outermost 3rd hole away from the center of the cart.

\* NOTE: LG 300 & XL400 SHELF BRACKETS (TRIPLE HOLE)



INSTALL THESE SCREWS BEFORE SIDE SHELF

FIGURE 4



NOTE: JR 200 SHELF BRACKETS (SINGLE HOLE)

FIGURE 3

