



*Rockustics*<sup>®</sup>  
ULTRA-FIDELITY OUTDOOR SPEAKERS

MUSIC GARDEN | OWNER'S MANUAL

# MUSIC GARDEN | OWNER'S MANUAL

Thank you for purchasing the Music Garden system from Rockustics. When properly installed, these speakers will provide years of listening enjoyment. Flexible mounting options allow these speakers to accommodate almost any outdoor space to provide full coverage and amazing audio in your private outdoor escape.

## Site Preparation

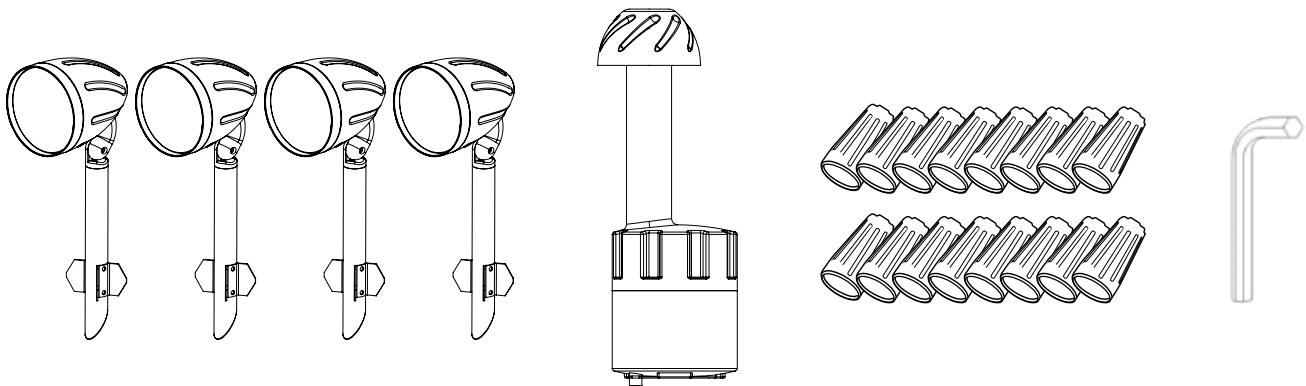
There are several factors to consider when choosing mounting locations for your Music Garden landscape speakers:

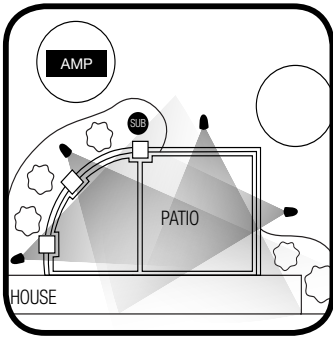
- The speakers may be mounted in the ground with the provided ground spike or they may be mounted on walls or vertical surfaces with the optional wall mounting plate.
- There should be a direct line of sight from the speaker to the listening area.
- Position each speaker so they are all approximately the same distance away from the listening area.
- Using high and low speaker locations will help to centralize the acoustic stage.
- Position the speakers 15' - 20' apart, but not more than 30' from the listening area.
- Be sure to select mounting locations that will not have high foot traffic or where landscaping equipment will frequently pass by.
- Do not place the speakers in areas that are prone to flooding with standing water.
- The speakers should not be positioned directly in front of, or in direct spray from, sprinklers.
- Do not aim the speaker at more than 45° from horizontal.
- A spike mount extension is available for installations requiring additional mounting depth.

The Music Garden System comes with one 8 inch dual-voice coil subwoofer and four 4 inch satellite speakers. It is acceptable to add up to two additional satellite speakers to one Music Garden system. For systems requiring eight or more satellite speakers, it is recommended to purchase two complete systems. The final number of speakers and subwoofers will depend on the coverage needed for the intended space. Sufficient amplifier power will need to be provided to accommodate the final number of speakers in the installation. Please call your dealer or MSE Audio at 913.663.5600, or email tech support at [techsupport@mseaudio.com](mailto:techsupport@mseaudio.com) if needed.

## Included in your Music Garden system are the following items:

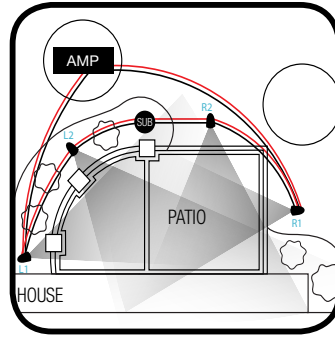
- 4 - 4" Periscope Satellite Speakers
- 1 - 8" Subscape Subwoofer
- 16 - Weatherproof Wire Nuts
- 1 - Allen Wrench





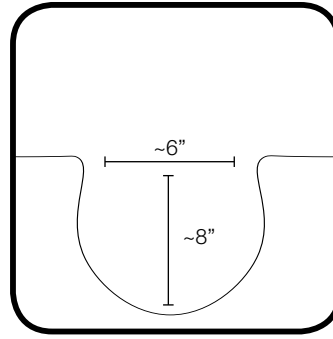
### 1. Layout Design

Determine the layout of your system. Place each speaker in the general location it will be installed. Also place your amplifier where it will be installed.



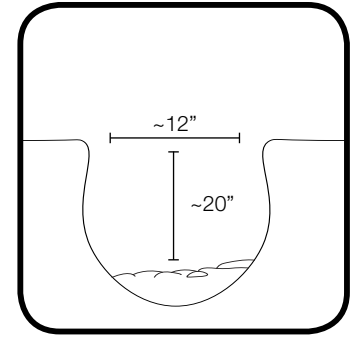
### 2. Measure Wiring

Measure, cut, and lay your wire runs between your speakers and the amplifier for a total of 6 wire runs (see diagram above). Add an extra 6" of length to each wire run.



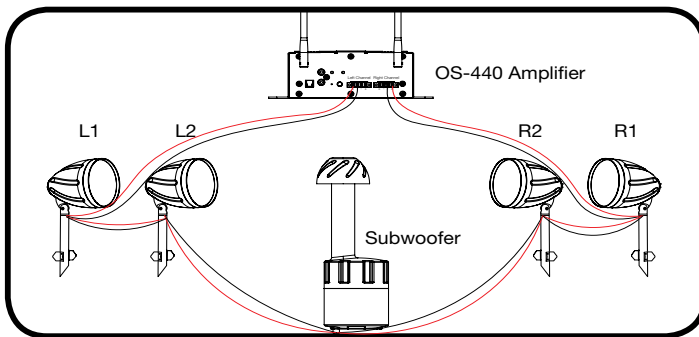
### 3. Dig Your Holes

Dig a hole for each satellite (x4) where you've determined they will be installed.



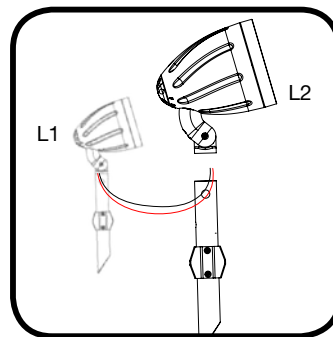
### 3A. Keep Digging!

The port tube should extend 3-5" above the final landscaping grade. Be sure to accommodate any bark mulch or ground cover when determining the burial depth of the subwoofer.



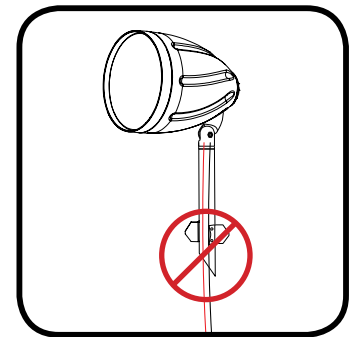
### 4. Wiring Diagram

Start wiring (See Diagram above). You have 2 left channel satellite speakers, 2 right channel satellite speakers, a subwoofer, and an amplifier that are all wired together.



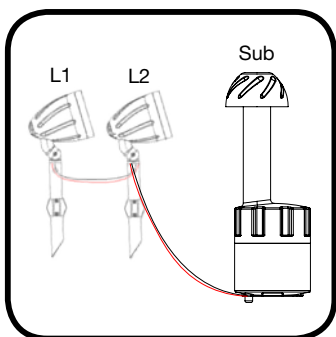
### 5. Wiring (L1 to L2)

For convenience, temporarily twist the two red wire leads and the two black wire leads together.



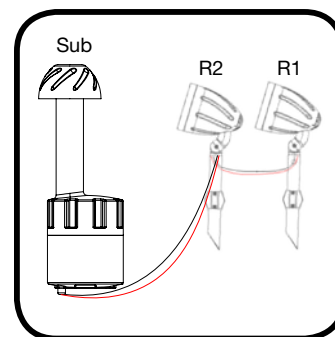
### 5A. DO NOT!

**DO NOT RUN THROUGH THE BOTTOM OF THE SPIKE! RUN THROUGH THE ACCESS HOLE!**



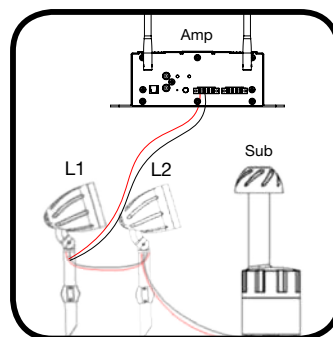
### 6. Wiring (L2 to Sub)

-Using the included waterproof wire nuts, connect the RED wire coming from L2 to the BLUE wire coming out of the Sub.  
-Connect the BLACK wire coming from L2 to the BLACK wire coming out of the sub.



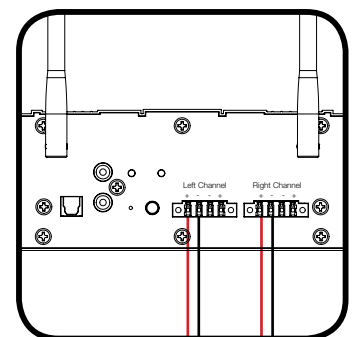
### 7. Wiring (R2 to Sub)

-Using the included waterproof wire nuts, connect the RED wire coming from R2 to the YELLOW wire coming out of the Sub.  
-Connect the BLACK wire coming from R2 to the BROWN wire coming out of the sub.



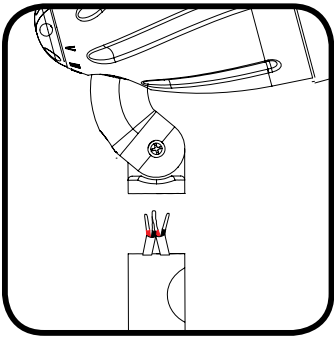
### 8. Wiring (L1 to Amp)

Run your left channel wiring from the amp to the L1 speaker through the wire access hole in the ground spike.



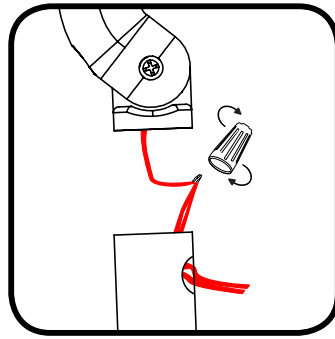
### 8A. OS-440 Amp Wiring

Rockustics recommends that you use Phase Technology's OS-440 amplifier to power your new speaker system. Refer to the OS-440 manual for amp configuration and follow the wiring diagram above.



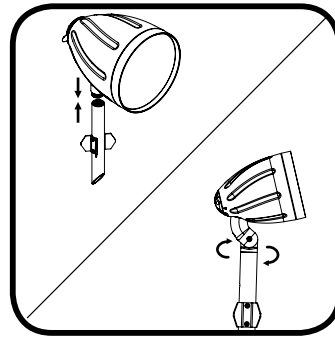
### 9. Splices

You should now have 4 wires (2 wire pairs) entering each MG4 mounting pole.



### 10. Securing Wires

Using the included waterproof wire nuts, connect all of the red wires to the red wire from the speaker. Repeat with the black wires.



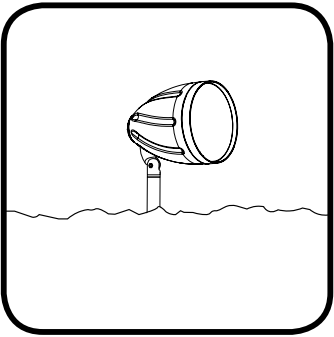
### 11. Twist On

Insert wire pairs secured with included weatherproof wire nuts into the hollow mounting spike. Insert threaded speaker head onto the mounting spike and screw on until speaker head is fully attached.



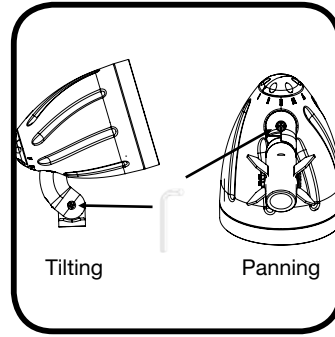
### 12. Test

Once your amp is set up, test your speakers by playing music from a source routed through your amplifier. If no sound is coming from a unit, check for loose wires from one of the wire nut connections made during the wiring process.



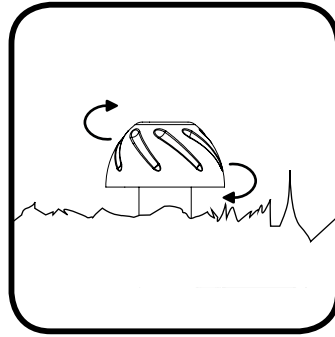
### 13. Bury Speakers

Place your speakers in each hole, and begin filling back up. Pack down the dirt. Repeat for the sub.



### 13A. Fine-Tune Aiming

Angle the satellite speakers in your desired position with the allen wrench.



### 13B. Screw Sub Cap

Screw the sub cap onto the subwoofer until it is secured in place.



### 14. Party!

Throw a party and play your favorite songs for your guests. Make your neighbors jealous of your marvelous party lifestyle and your world-class Rockustics audio system. Repeat step 14 as needed.

## Limited Warranty:

Rockustics warrants its loudspeakers to be free from defects in material and workmanship for a period of ten (10) years for speaker product and three (3) years for the electronic components to the original purchaser. Purchase must be made from an authorized Rockustics dealer.

This warranty does not cover service or parts to repair damage caused by misuse, abuse, damage while in transit, alterations, unauthorized repairs, failure to follow instructions, fire, flood, or any other cause beyond the reasonable control of Rockustics. Defects in speaker cabinets or grilles must be brought to the attention of your dealer immediately after purchase. This warranty will be void if the products' serial number has been altered or removed.

Should your Rockustics product require service, please call the MSE Audio customer service department for a return authorization. All merchandise returned to Rockustics without prior authorization will be refused. For your return authorization number, please call 913.663.5600 or email sales@mseaudio.com