

SPF-55

5.25" 2-Way Omnidirectional Outdoor Speaker



Specifications: SPF-55

Mounting hardware included

Nominal Impedance	4 ohms
Sensitivity dB @ 2.83V/1M	86 dB
Frequency Response (1)	49 Hz - 22 kHz
Recommended Power	15 - 120 Watts
Tap Selector	5-Position Rotary Switch w/ Transformer Bypass Position
Transformer Options	32 W for 25/70.7/100 Volt Applications
Transducer - Low Frequency Driver	5.25" Polypropylene Cone w/ Butyl Rubber Surround
Transducer - High Frequency Driver	1" Aluminum Dome
Colors	Green Granite, Sandstone
Grille - material	Stainless Steel w/ Powder Coated Finish
Tweeter - part	1" Aluminum Dome
Woofers/ Driver	5.25" Polypropylene w/ NBR Surround
Inputs	18-Gauge Wire Lead
Height (SM = Height)	394.0 mm / 15.51"
Diameter (SM = Width)	358.1 mm / 14.10"
Weight	5.9 kg / 13 lb
Shipping Weight	8.6 kg / 19 lb
Regulatory - CE	approved
Regulatory - RoHS	approved

SPF-55

5.25" 2-Way Omnidirectional Outdoor Speaker



Description

The Solaris SPF-55 is a durable, in-ground landscape speaker that comes standard with anti-theft brackets that anchor it deep into the ground. With its 5.25" mineral-filled polypropylene woofer and 1" aluminum dome tweeter, the SPF-25 delivers maximum coverage with full-frequency 360° dispersion. Speakers can be placed 25' apart and still attain maximum coverage, SPL, and intelligibility.

Its sealed enclosure, powder coated stainless steel grille and fasteners allow the SPF-55 to deliver lasting performance and stand up to outdoor exposure, weed whackers, collisions with lawn mowers, and other outdoor equipment. Available in Sandstone or Green, the SPF-55 is designed to blend unobtrusively in any outdoor setting.

Patented Rockustics Technologies

Rockustics and MSE Audio Group constantly develop new technologies that enhance audio product

performance. Rockustics innovations are protected by multiple U.S. and international patents, which explicitly cover Rockustics dispersion, enclosure and dome technologies. MSE Audio Group actively defends its patents in order to protect Rockustics resellers and end users.

Technical Data and Specification Tools

Technical Data

SoundTube Entertainment strives to provide complete and effective technical information and data to dealers, engineers and designers. All data are available from SoundTube Entertainment or at www.soundtube.com. Technical data and downloads include: EASE™ data - 3-D polar plots. EASE™ Address - 2-D modeling for distributed systems Autodesk® Revit® software Tech Sheets - Technical information and architectural specs for system engineers SoundTubeSPEC™ - Proprietary speaker placement software

Data Acquisition and Verification

All data for SoundTube speakers are independently collected from and verified by NWAALabs (www.nwaalabs.com) using their proprietary MACH testing system. All data are collected and analyzed according to ASTM, ISO and AES standards using EASRA, TEF and MLSSA. Full balloon data including both phase and magnitude are compiled into a variety of formats including EASE 4.x, GLL and CLF.

Architectural Specifications

No specifications currently.

Rockustics

8005 W 110th Street, Suite 208
Overland Park, KS 66210
Phone 913.663.5600
Fax 913.663.3200
Toll Free (855) 663-5600
<https://rockustics.mseaudio.com>
All SoundTube products come with a 5-year limited warranty.

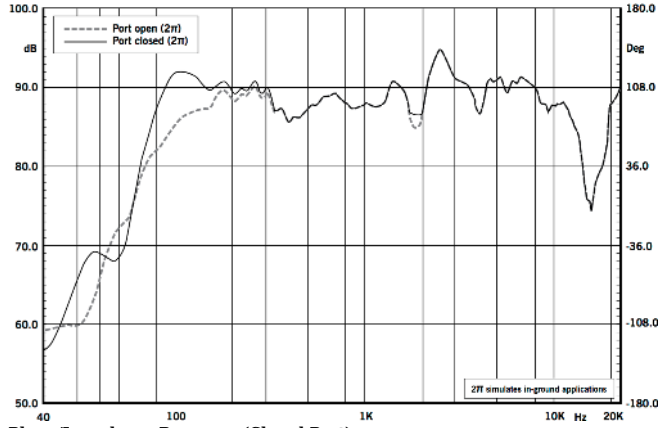
SPF-55

5.25" 2-Way Omnidirectional
Outdoor Speaker

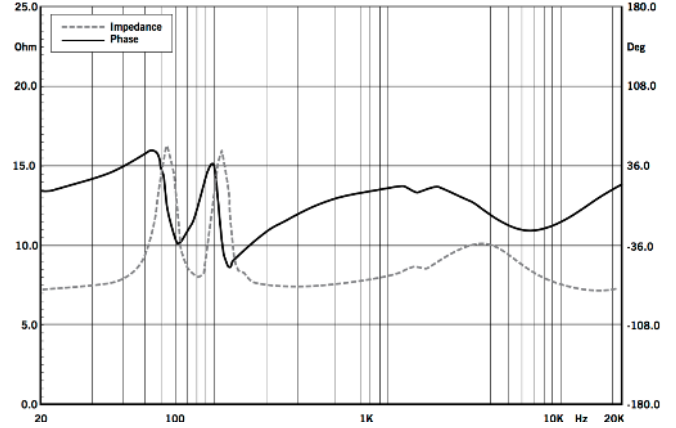


Graphs and Plots

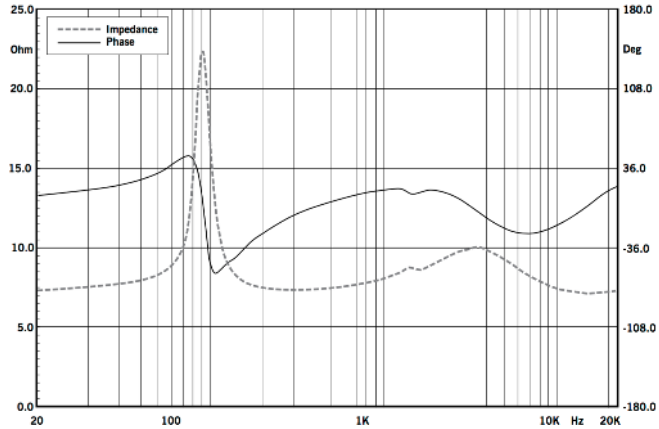
Frequency Response (Open/Closed Port)



Phase/Impedance Response (Open Port)



Phase/Impedance Response (Closed Port)

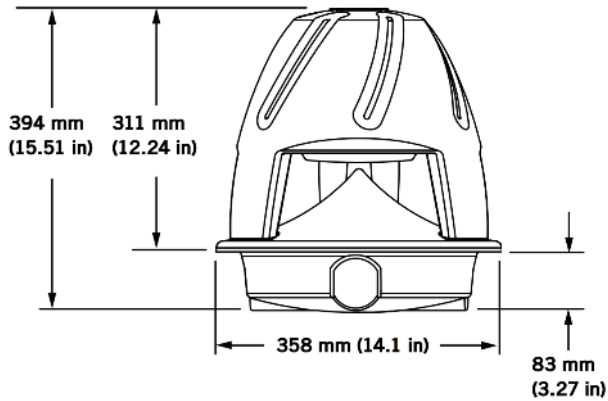


SPF-55

5.25" 2-Way Omnidirectional
Outdoor Speaker



Mechanical Drawings



Included Accessories

Anti-Theft Brackets

Water-tight strain relief