



Description:

The CI1.5 is a full-range 3-inch in-ceiling speaker, incorporating a low-profile grille and a total visible 6.3 inch diameter with an integrated metal backcan.

The CI1.5 features a six-position tap switch with a transformer bypass position. Features a secure constant tension SpeedWing™ mounting system.

Features:

- One 3 inch polypropylene woofer with butyl rubber surround
- Six position tap switch for commercial applications, or bypass transformer and run as standard 8Ω
- Limited Lifetime Warranty
- Auto-Reset Overload Protection
- Absolute Phase Crossover Network
- Magnetic Micro-Flange Grille
- Optional accessories: pre-construction bracket (AC-CI1.5-PCB), tile bridge (AC-CI1.5-TB)
- UL 1480 (UEAY) and 2043 approved

Applications:

Engineered for home theater or distributed audio applications where high-efficiency, added bass response and rapid installation are paramount, such as smaller rooms, hallways and small commercial installations.

Transformer Taps:

70.7V OUTPUT	100V OUTPUT	25V OUTPUT
10W 95.0 dB	10W 95.0 dB	1.3W 96.0 dB
5W 92.0 dB	5W 92.0 dB	0.7W 83.5 dB
2.5W 89.0 dB	2.5W 89.0 dB	0.4W 81.0 dB
1.3W 86.0 dB	1.3W 86.0 dB	0.2W 78.0 dB
0.7W 83.5 dB		0.1W 75.0 dB

Warranty Information:

The CI1.5 comes with a limited lifetime warranty. Products not sold through an authorized dealer/distributor will not be supported by the factory warranty. Warranties are non-transferable.

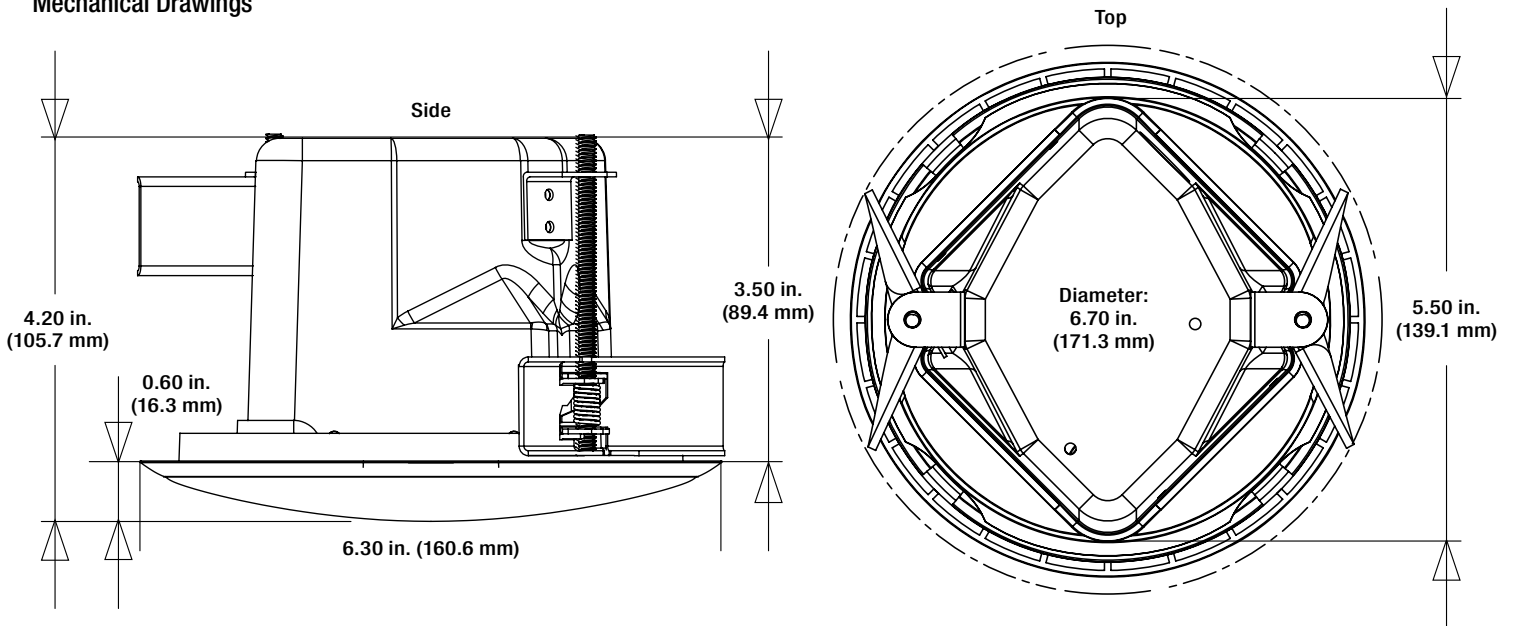
Phase Technology:

8005 W 110th St
Suite 208
Overland Park, KS 66102
Phone: 913.663.5600
Toll Free: 855.663.5600
Fax: 913.663.3200
www.phasetech.com

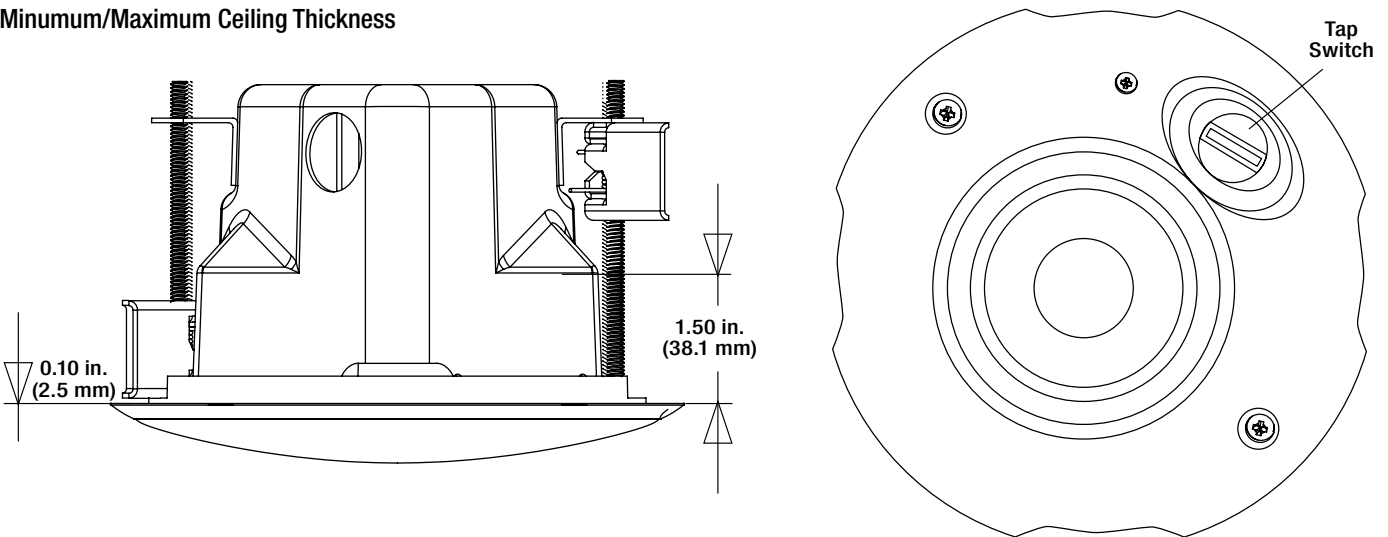
CI1.5 PRODUCT SPECIFICATIONS

NOMINAL IMPEDANCE	8Ω
SENSITIVITY dB @ 2.83V/1M	84 dB
FREQUENCY RESPONSE	115 Hz - 22 kHz
RECOMMENDED POWER	5 - 60 Watts
TAP SELECTOR	Six-Position Rotary Switch or Transformer Bypass Position
TWEETER	N/A
MIDRANGE	N/A
WOOFER	3" (76.2 mm) Polypropylene w/ NBR Surround
ENCLOSURE MATERIAL	Steel
ENCLOSURE TYPE	Sealed/ ABS Baffle
INPUTS	Hardwire Lead
GRILLE	White ABS/ Aluminum (paintable)
COLOR OPTIONS	Black or White
DIMENSIONS	6.3" (160 mm) Diameter x 4.2" (105.7 mm) Depth
CUTOUT DIMENSIONS	5.5" (139.7 mm) Diameter
MOUNTING DEPTH	3.5" (89.4 mm)
WEIGHT	3.1 lbs
SHIPPING WEIGHT	4 lbs
INCLUDED ACCESSORIES	Tile Bridge, Conduit Connector, Paint Mask, Wire Nuts
OPTIONAL ACCESSORIES	Pre-Construction Bracket (AC-CI1.5-PCB)
REGULATORY - UL	UL 1480 (UEAY) and 2043 Approved
REGULATORY - CE	Approved
RoHS	Approved

Mechanical Drawings

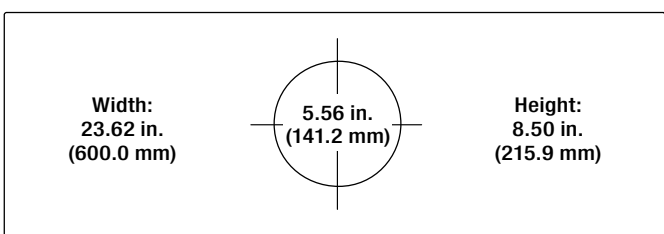


Minimum/Maximum Ceiling Thickness



Optional Accessories

Tile Bridge (AC-CI1.5-TB)



Pre-Construction Bracket (AC-CI1.5-PCB)

