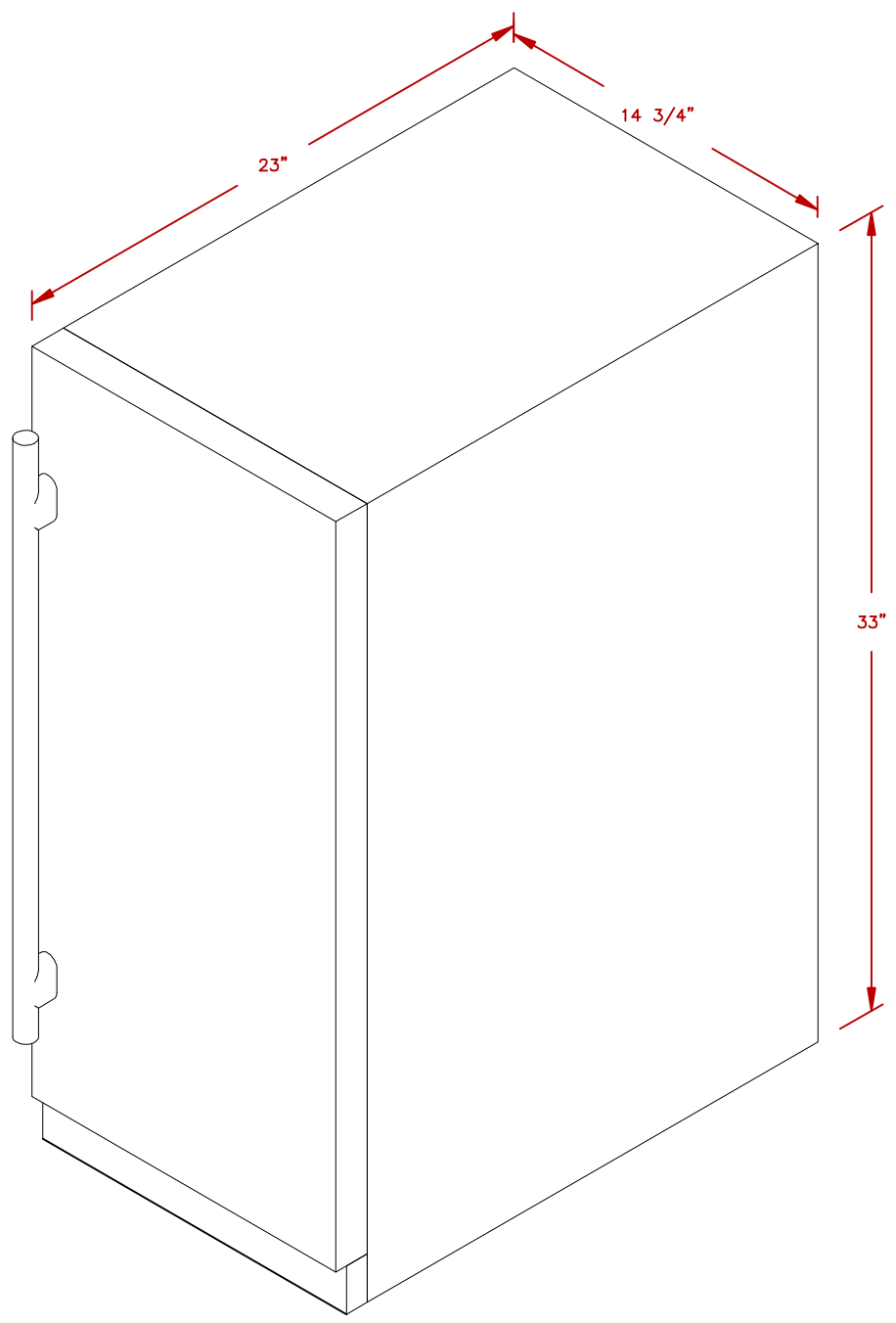
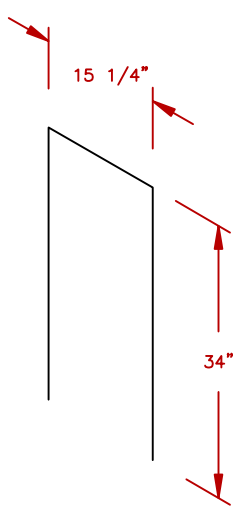


LINE	BBQ LINE
MODEL	OUTDOOR SST REFR.
NUM	



ISOMETRIC VIEW



CUT-OUT DIMENSIONS

NOTE:
DUE TO OUR CONTINUOUS IMPROVEMENT PROGRAM, ALL MODELS
AND SPECIFICATIONS ARE SUBJECT TO CHANGE WITHOUT NOTICE.

	TITLE 2019 BARBECUE LINE OUTDOOR SST REFR.	
	SCALE:	DWG NO. BBQ10710
REVISED	REV. DESCR.	DWG BY J.ORNELAS
		DATE 11/13/18