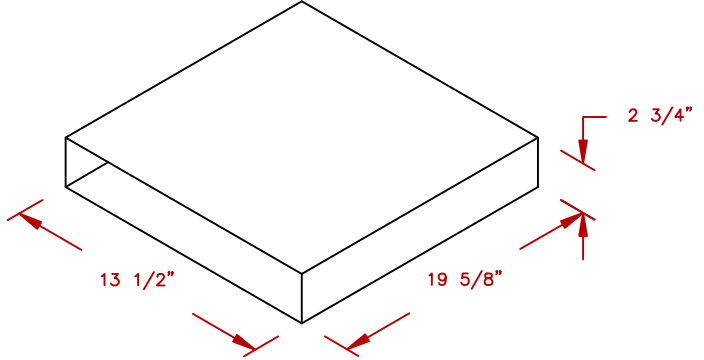
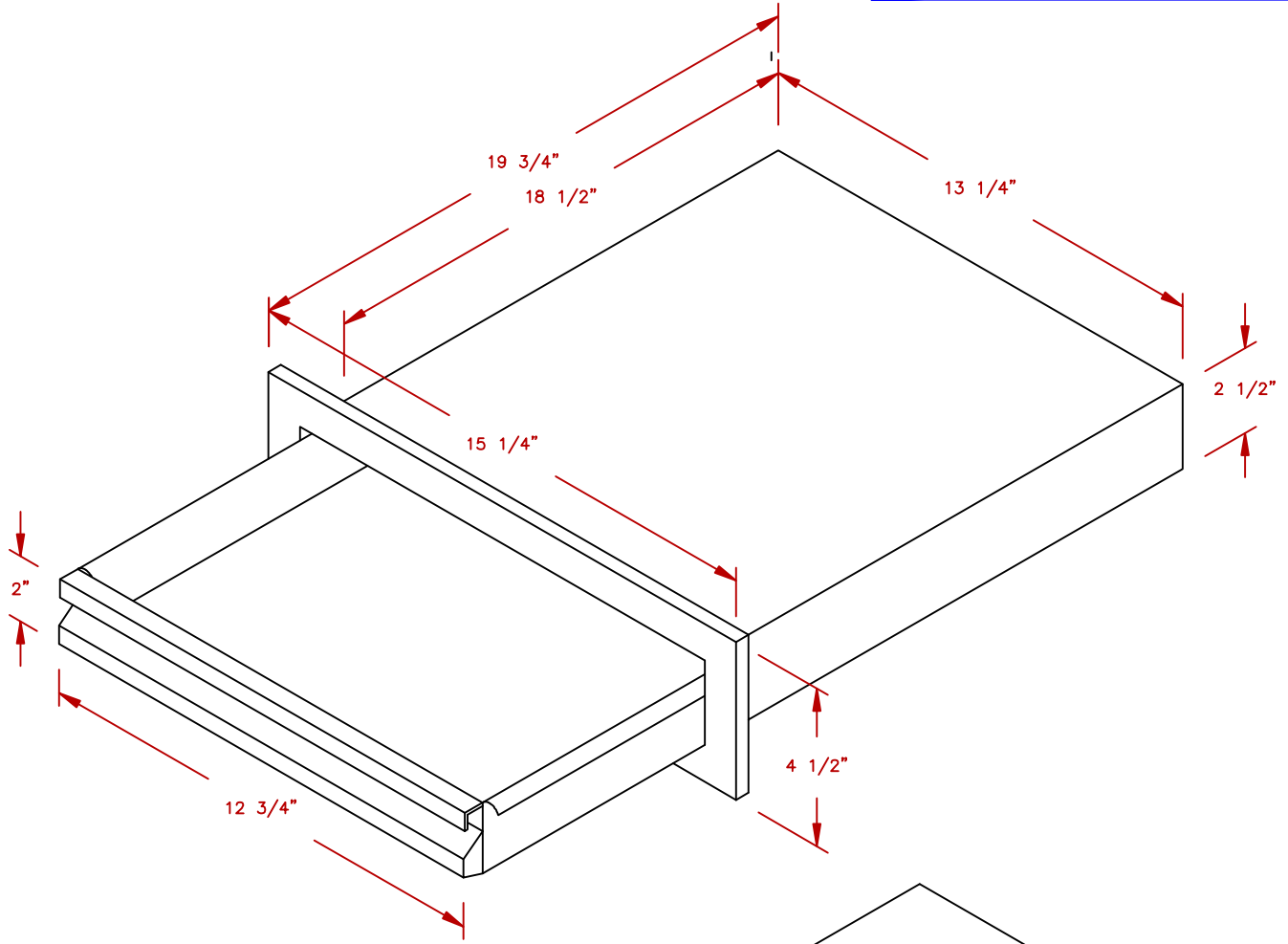


|       |                    |
|-------|--------------------|
| LINE  | BBQ LINE           |
| MODEL | GRIDDLE W/ STORAGE |
| NUM   |                    |



CUT OUT DIMENSIONS

NOTE:  
DUE TO OUR CONTINUOUS IMPROVEMENT PROGRAM, ALL MODELS  
AND SPECIFICATIONS ARE SUBJECT TO CHANGE WITHOUT NOTICE.

|   |             |           |  |
|---|-------------|-----------|--|
|  | TITLE       |           | 2019 BARBECUE LINE<br>GRILL ACCESORIES<br>GRIDDLE W/ STORAGE |
|   | SCALE:      | DWG NO.   | DWG BY   |
| REVISED   | REV. DESCR. | DATE      |  |
|   | BBQ07862P   | J.ORNELAS | 11/12/18   |