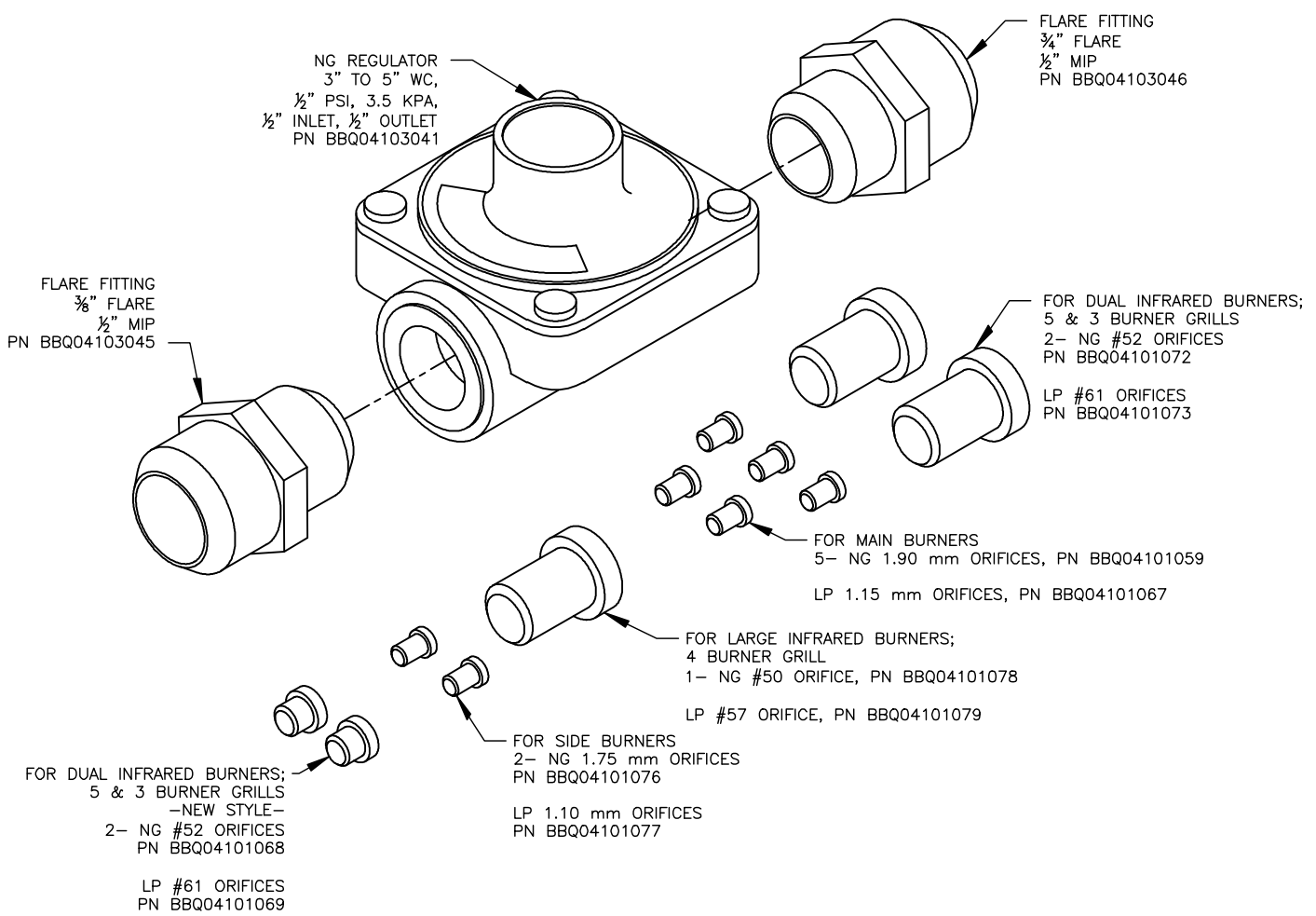

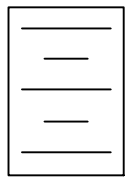


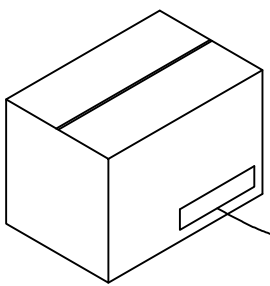
LINE	BBQ LINE
MODEL	NG CONVERSION KIT
NUM	



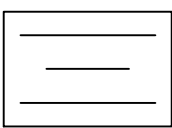
 **WARNING!** You must have an authorized service technician perform this procedure. If these instructions are not followed exactly, a fire or explosion may result causing property damage, personal injury or loss of life. California Acrylics Industries (C.A.I.) will not be held responsible for an improperly converted gas grill.



INSTALLATION INSTRUCTIONS



ALL ITEMS CONTAINED IN CAL FLAME BOX W/PART NUMBER



CONVERSION TO NG LABEL

**NOTE:**  
DUE TO OUR CONTINUOUS IMPROVEMENT PROGRAM, ALL MODELS AND SPECIFICATIONS ARE SUBJECT TO CHANGE WITHOUT NOTICE.

	TITLE 2019 BARBECUE LINE GRILL ACCESORIES NG CONVERSION KIT	
	SCALE:	DWG NO. BBQ07101045
REVISED	REV. DESCR.	DWG BY J.ORNELAS
		DATE 11/12/18