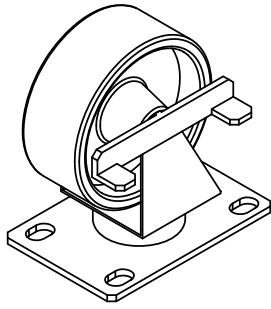


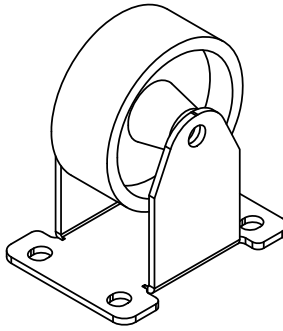
DEL SOL 25"/32"/40" GRILL BASE  
ASSEMBLY INSTRUCTIONS

NOTES:

1. \* (DSGB25)



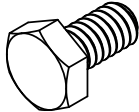
A: 3" CASTER W/ BRAKE (2x)  
PN: 14404



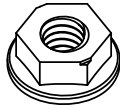
B: 3" STATIONARY CASTER (2x)  
PN: 14455



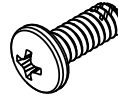
A: TANK CHAIN  
PN: 13927



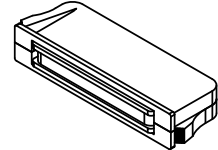
C: 1/4-20  
HEX BOLT (16x)  
PN: 14125



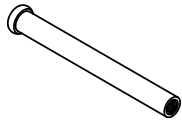
D: 1/4-20  
NUT (16x)  
PN: 14105



E: 10-24 X 1/4 PH  
TYPE-F SCREW (49x) (\*43x)  
PN: 14275



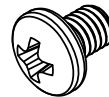
F: DOOR MAGNET  
(2x) (\*1x)  
PN: 14460



G: HINGE PIN  
(4x) (\*2x)  
PN: 14461

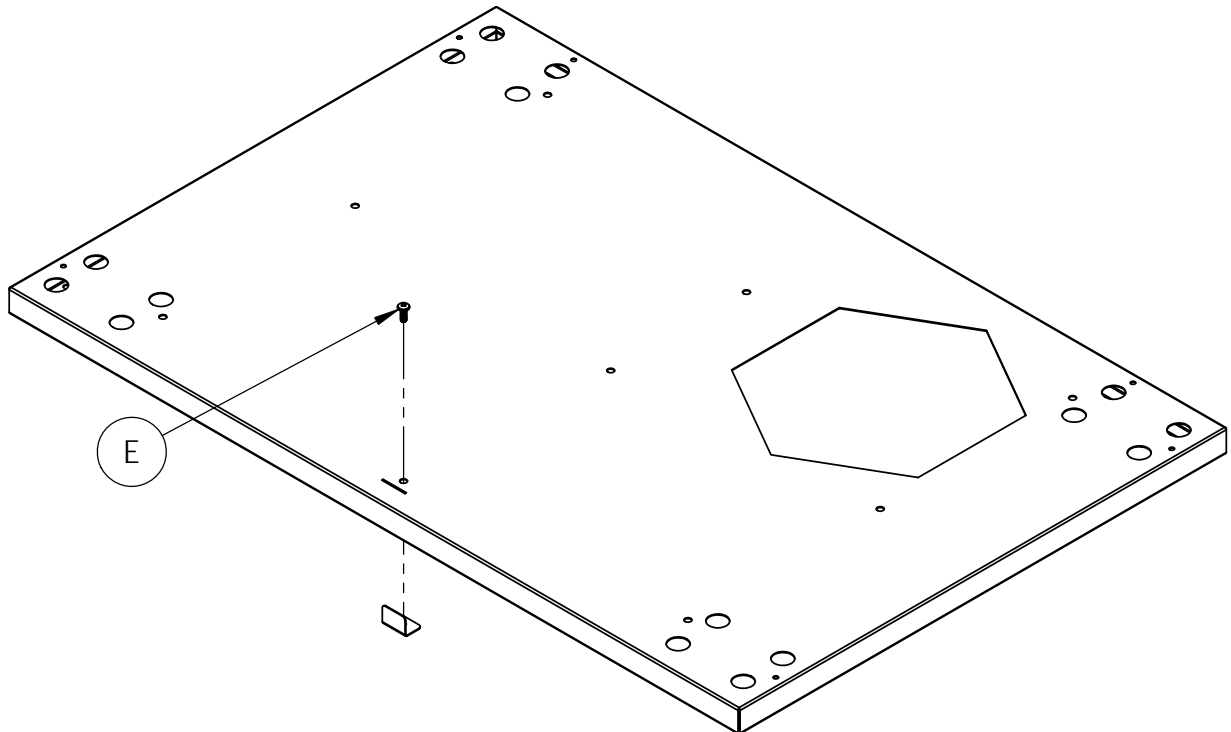


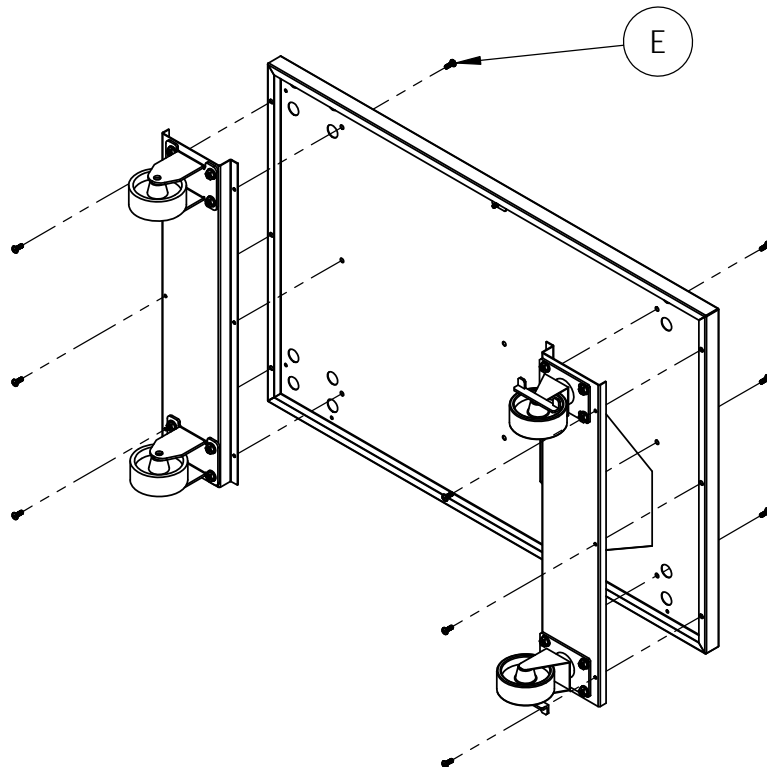
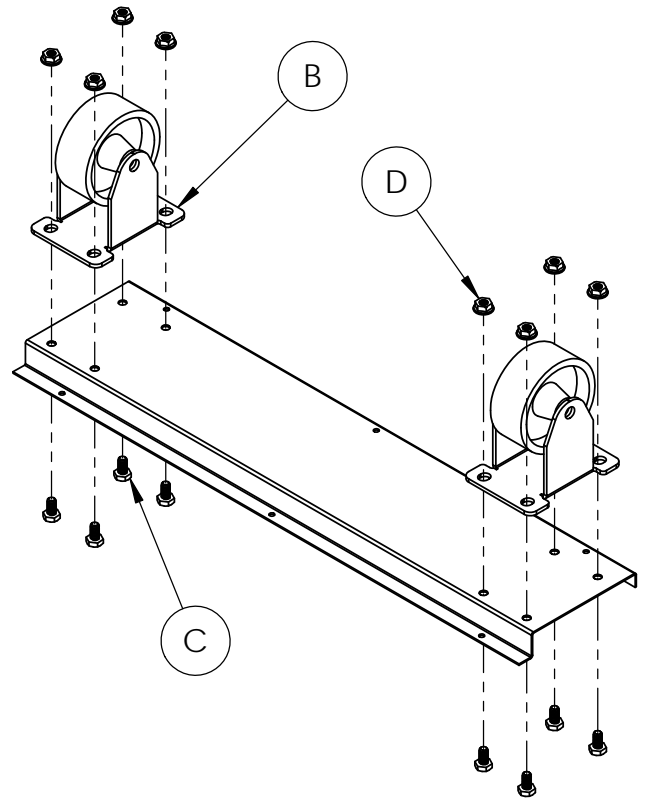
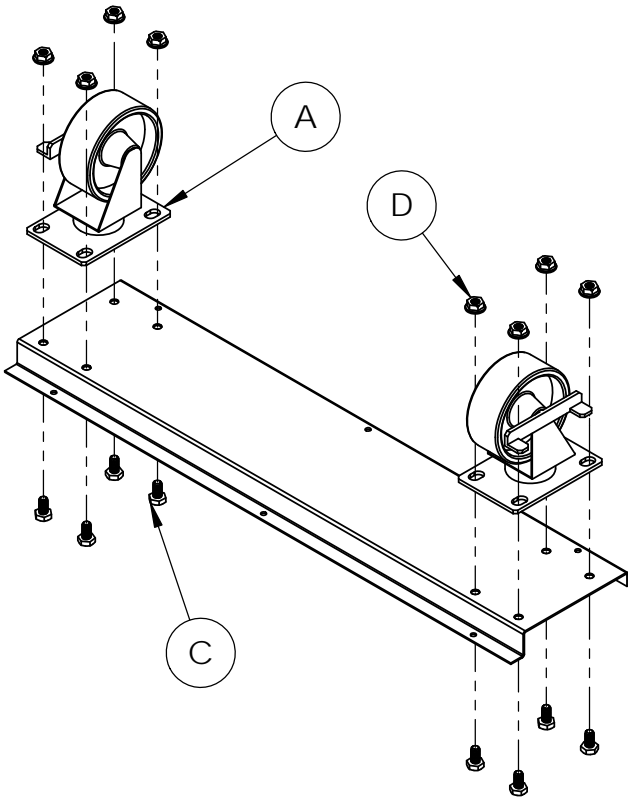
H: HINGE SCREW  
(4x) (\*2x)  
PN: 14294

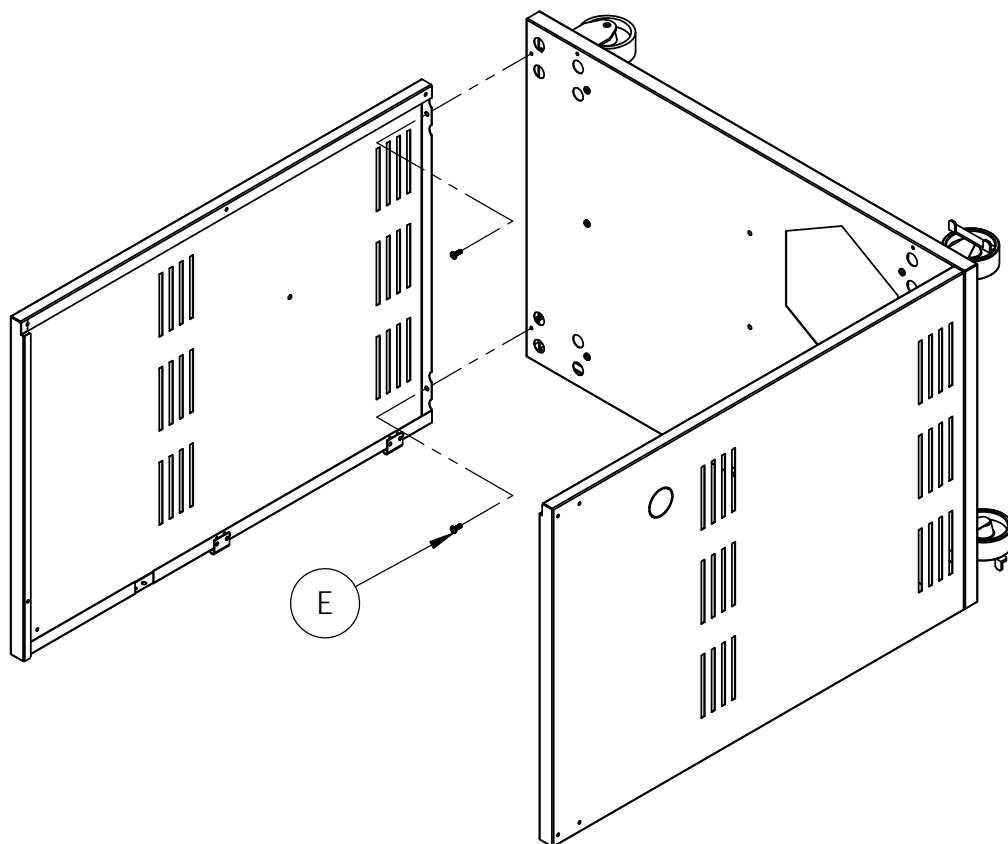
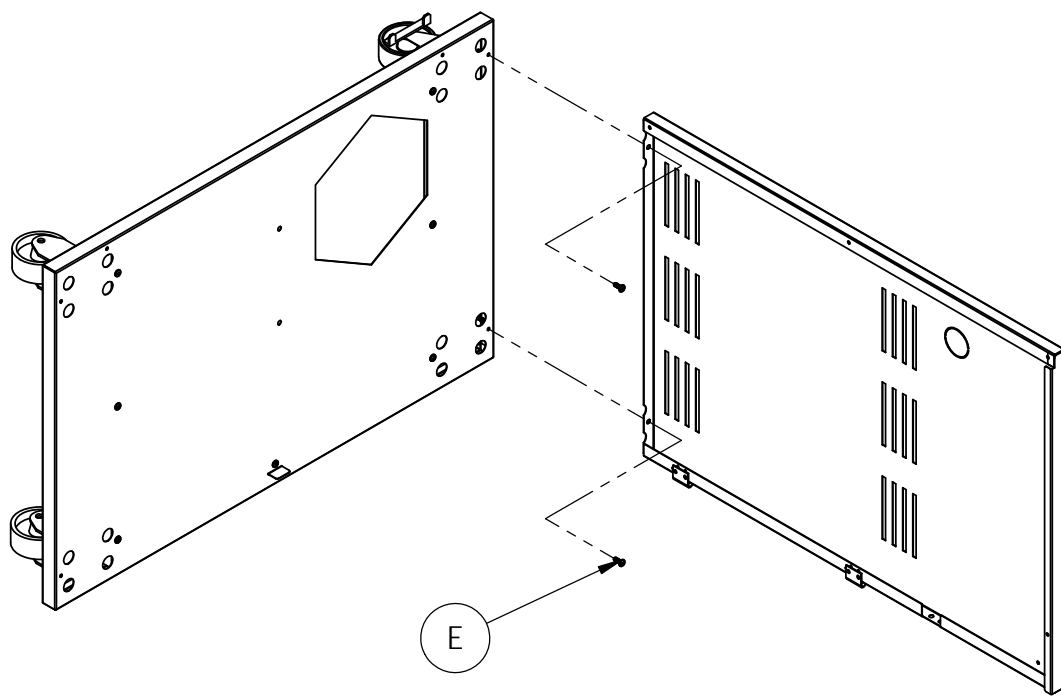


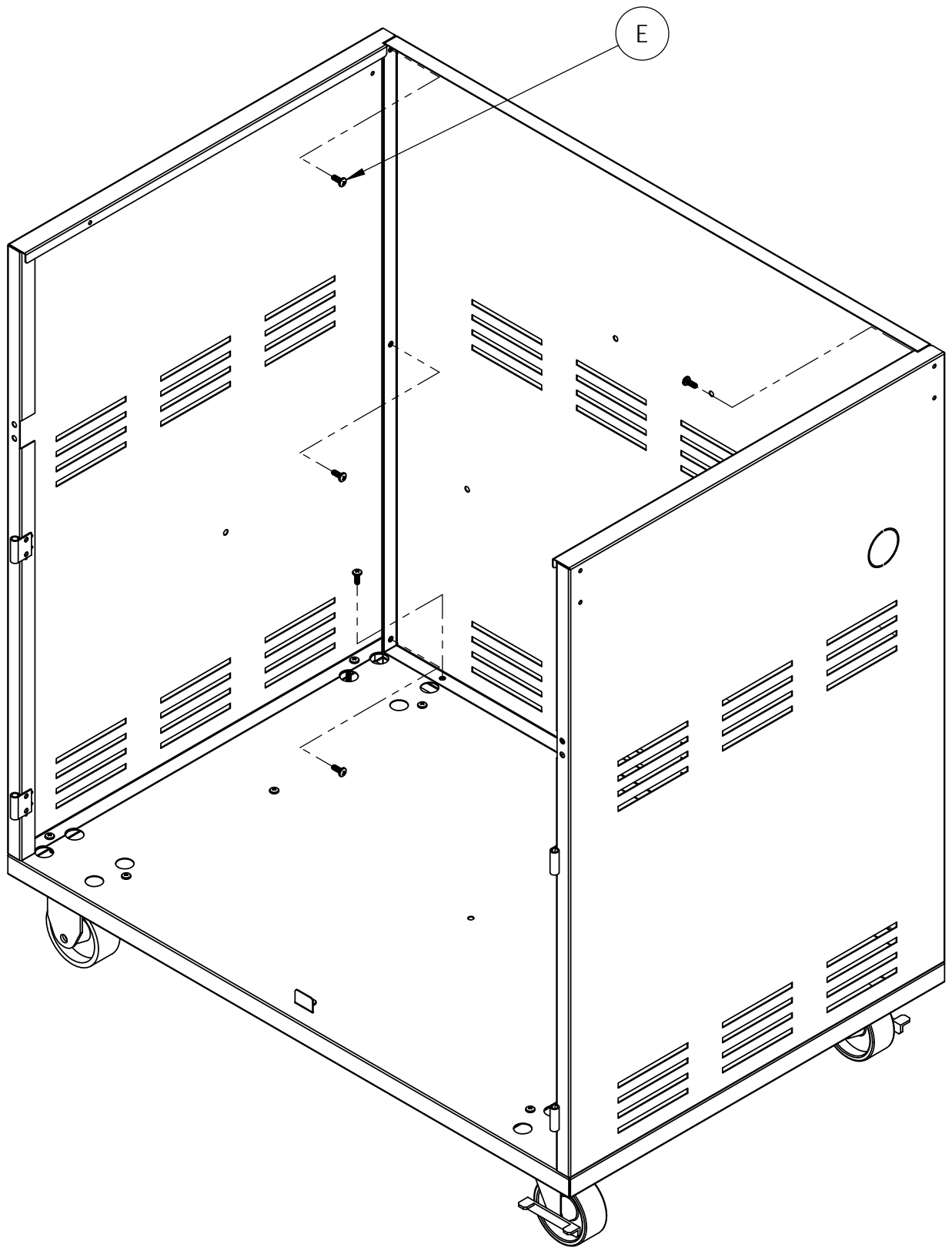
I: DOOR SCREW  
(4x) (\*2x)  
PN: 14299

1. PHILLIPS SCREWDRIVER
2. 7/16 SAE WRENCH









NOTE:

1. DOOR MAGNET MAY COME PRE-INSTALLED TO THE MULLION.

