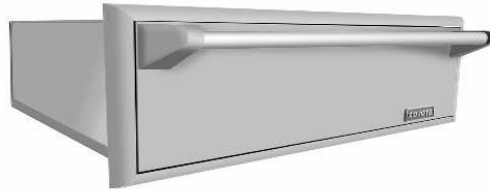


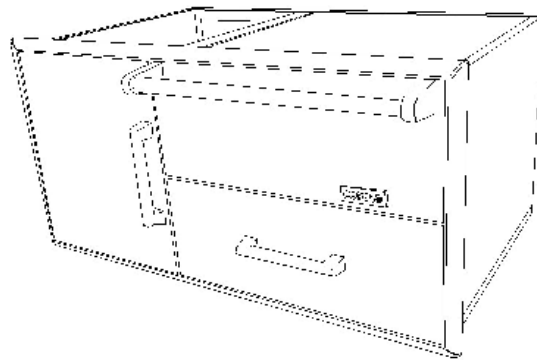
# COYOTE

## Use and Care Manual Warming Drawer & Warming Drawer Combo

### CWD



### CCD-WD



## **Important Instructions**

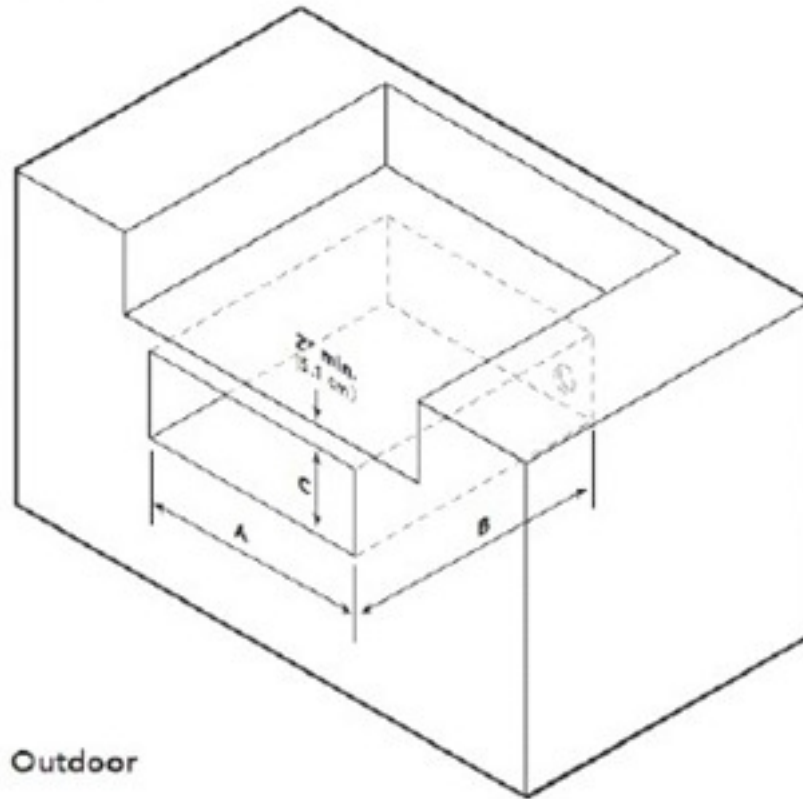
1. Proper Installation – be sure your appliance is properly installed and grounded by a qualified technician.
2. Never Use Your Appliance for Warming or Heating the Room.
3. Do Not Leave Children Alone – Children should not be left alone or unattended in area where the appliance is in use. They should never be allowed to sit or stand on any part of the appliance.
4. Wear Proper Apparel – Loose fitting or hanging garments should never be worn while using the appliance.
5. User Servicing – Do not repair or replace any part of the appliance unless specifically recommended in the manual. All other servicing should be referred to a qualified technician.
6. Storage in or on Appliance – Flammable materials should not be stored near surface units.
7. Do Not Use Water on Grease Fires – Smother fire or flame or use dry chemical or foam-type extinguisher.
8. Use Only Dry Potholders – Moist or damp potholders on hot surfaces may result in burns from steam. Do not let potholder touch hot heating elements. Do not use a towel or bulky cloth.
9. Use Proper Pan Size – This appliance is equipped with one or more surface units of different size. Select utensils having flat bottoms large enough to cover the surface unit heating element. The use of undersized utensils will expose a portion of the heating element to direct contact and may result in ignition of clothing. Proper relationship of utensil to burner will also improve efficiency.
10. Never Leave Surface Units Unattended at High Heat Settings – Boilover causes smoking and greasy spillovers that may ignite.
11. Make Sure Reflector Pans or Drip Bowls Are in Place – Absence of these pans or bowls during cooking may subject wiring or components underneath to damage.
12. Protective Liners – Do not use aluminum foil to line surface unit drip bowls or oven bottoms, except as suggested in the manual. Improper installation of these liners may result in a risk of electric shock, or fire.
13. Glazed Cooking Utensils – Only certain types of glass, glass/ceramic, ceramic, earthenware, or other glazed utensils are suitable for range-top service without breaking due to the sudden change in temperature.
14. Utensil Handles Should Be Turned Inward and Not Extend Over Adjacent Surface Units – To reduce the risk of burns, ignition of flammable materials, and spillage due to unintentional contact with the utensil, the handle of a utensil should be positioned so that it is turned inward, and does not extend over adjacent surface units.
15. Do Not Stack Removable Heating Elements – Heating elements should never be immersed in water.
16. Do Not Cook on Broken Cook-Top – If cook-top should break, cleaning solutions and spillovers may penetrate the broken cook-top and create a risk of electric shock. Contact a qualified technician immediately.
17. Clean Cook-Top with Caution – If a wet sponge or cloth is used to wipe spills on a hot cooking area, be careful to avoid steam burn. Some cleaners can produce noxious fumes if applied to a hot surface.

**CAUTION** – Do not store items of interest to children in cabinets above a range or on the backguard of a range – children climbing on the range to reach items could be seriously hurt.

DO NOT TOUCH SURFACE UNITS OR AREAS NEAR UNITS – Surface units may be hot even though they are dark in color. Areas near surface units may become hot enough to cause burns. During and after use, do not touch, or let clothing or other flammable materials contact surface units or areas near units until they have had sufficient time to cool. Among these areas are the cook-top and surfaces facing the cook-top.

**SAVE THESE INSTRUCTIONS**

## Cutout Dimensions for CWD



Cutout Measurements for CWD	
Cutout Width - A	28-1/4"
Cutout Depth - B	23-1/2"
Cutout Height - C	9-1/2"

Cutout Measurements for CCD-WD	
Cutout Width - A	40 5/8"
Cutout Depth - B	25 1/4"
Cutout Height - C	19 1/2"

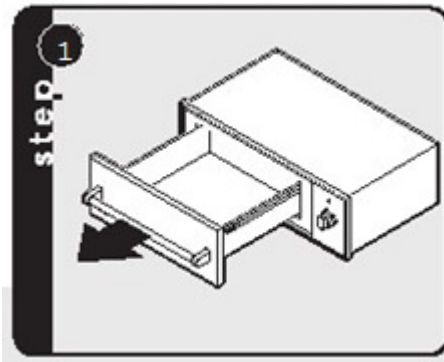
### General Information:

- When installing this unit directly below other units, we highly recommend that Coyote built-in products are used.
- Remove warming drawer carefully from carton. Remove all loose packaging and accessories.
- It is the responsibility of the installer to comply with local codes. If no local codes are applicable, wire in accordance with the National Electrical Code, AINSUNFPA 70 (latest edition).
- This appliance is not fused. Protect with a proper sized fuse or circuit breaker and a GFI.
- Line disconnect switch, circuit breaker, GFI, or a plug/receptacle of power cord connection should be readily accessible to the operator.
- Ground unit per applicable electrical codes.
- Any installation not matching the specifications discussed in these instructions will void Coyote's warranty.

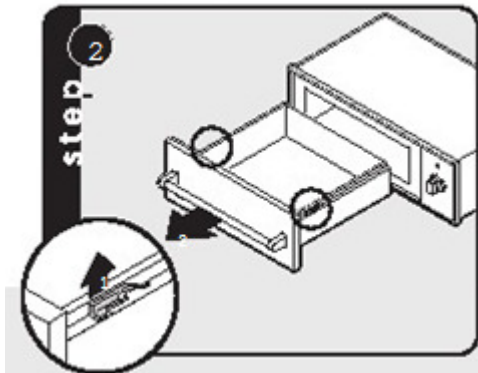
## **Electrical Connection:**

- Grounding Instructions:
  - This appliance must be connected to a grounded metal, permanent wiring system, or an equipment-grounding conductor must be run with the circuit conductors and connected to the equipment-grounding terminal or lead on the appliance.
- Electrical Requirements:
  - Hard wire direct with separate 120v/15 amp minimum 2-wire with ground circuit.
  - Maximum amp usage is equal to 400 watts / 3.3 amps.
  - AC 120V / H60

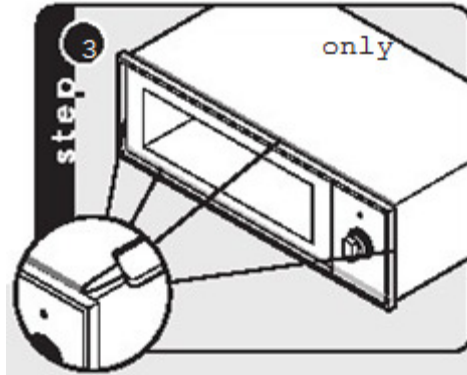
## **Installation:**



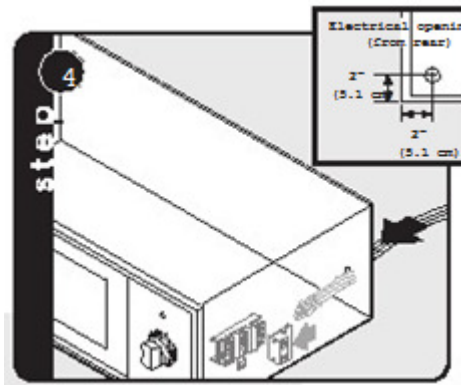
Pull out drawer assembly until fully extended



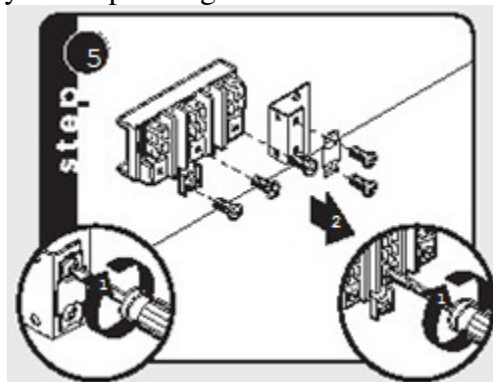
Slide finger along right and left side until you reach the black hand latches (located at the front of the rails). Pull up on both the right and left latches and pull out drawer pan support.



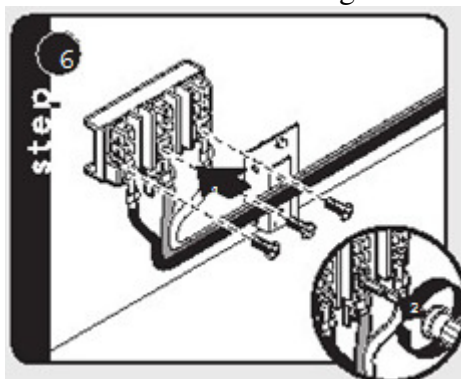
Apply silicone caulk around the back of the warming drawer trim.



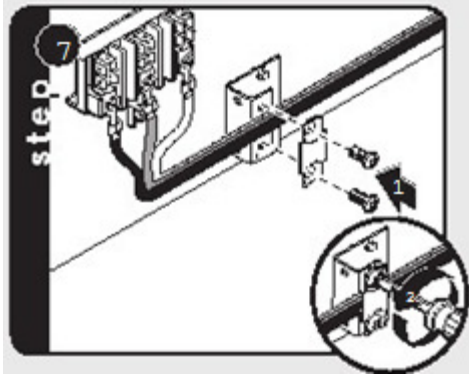
Feed supply cord up through hole in rear of warming drawer.



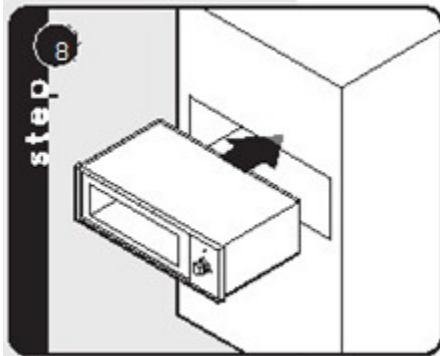
Remove strain relief bracket and mounting screws on the terminals.



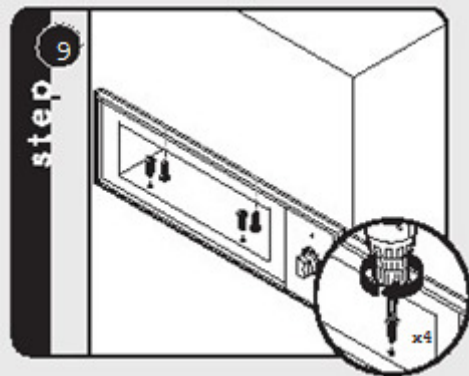
Attach the white (neutral) and black (line) lead to terminals. Attach ground wire to the center terminal.



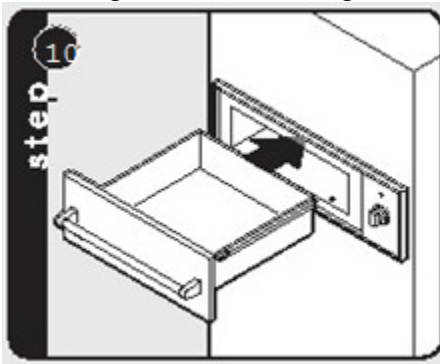
Push supply cord toward terminal block to relieve strain, reattach supply cord strain relief bracket over supply cord.



Slide entire warming drawer cabinet assembly into the cabinet opening.



Secure the warming drawer using four #8 mounting screws (four screws provided).



Replace drawer assembly.

## **CCD-WD Installation:**

- If you are installing the CCD-WD combo cabinet, you will want to make sure that you follow the directions stated for the CWD, only applying the anchoring to the cabinet instead of the individual door.
- Depending on your building material, you will want to support the weight of the cabinet from underneath, or through strapping around the cabinet.
  - As each install, or island build is unique, the installer must decide on the best choice to support the weight of the CCD-WD (or CWD) to avoid damage to the structure.

# **IMPORTANT SAFETY INFORMATION**

## **PLEASE READ AND FOLLOW**

- Before beginning, please read these instructions completely and carefully.
- DO NOT remove permanently affixed labels, warnings, or plates from the product. This may void the warranty. Please observe all local and national codes and ordinances.
- The installer must leave these instructions with the consumer who should retain for local inspector's use and for future reference.
- Please ensure that this product is properly grounded.
- Installation must conform with local codes, or in the absence of codes, the National Electrical Code, ANSI/NFPA70 – latest edition.

**Your safety and the safety of others is very important. We have provided many important safety messages in this manual and on your appliance. Always read and obey all safety messages.**



**This is the safety alert symbol. This symbol alerts you to hazards that can kill or hurt you and others.**

**All safety messages will be preceded by the safety alert symbol and the word “DANGER,” “WARNING,” or “CAUTION.”**



 **DANGER**

**DANGER** Hazards or unsafe practices WILL result in severe personal injury or death

 **WARNING**

**WARNING** Hazards or unsafe practices COULD result in severe personal injury or death

 **CAUTION**

**CAUTION** Hazards or unsafe practices COULD result in minor personal injury or property damage

 **WARNING**



**FIRE AND ELECTRICAL SHOCK HAZARD**

To reduce the risk of electric shock and fire, DO NOT use a flexible power-supply cord with this appliance.

 **WARNING**

For outdoor installation, installer must install a ground fault interrupt.

 **WARNING**

Make sure that incoming voltage is the same as unit rating. An electric rating plate specifying voltage, hertz, wattage, amps and phase is attached to the product. Wiring the warming drawer with more voltage than it is rated for may cause sever damage to the thermostat, element, and other components. Wiring the warming drawer with less voltage than it is rated for may cause significant decrease in performance

 **WARNING**

To reduce the risk of fire, electric shock, or injury to persons, installation work must be done by qualified people in accordance with all applicable codes and standards, including fire-rated conditions.

# Limited Warranty

Coyote Outdoor warrants to the original purchaser at the original site of delivery with proof of purchase of each Outdoor Warming Drawer that when subject to normal residential use, it is free from defects in workmanship and materials for the periods specified below. This warranty excludes grills used in rental and commercial applications. This warranty excludes surface corrosion, scratches, and discoloration which may occur during regular use. It **does NOT** cover labor or labor related charges. There will be shipping and handling charge for the delivery of the warranty part(s).

<u>COMPONENT</u>	<u>WARRANTY PERIOD</u>
Stainless Steel Frame/Housing (no burn or rust through).....	Limited Lifetime
Heating Elements.....	5 years (limited)
All other Components.....	1 years (limited)

Our obligation under this warranty is limited to repair or replacement, at our option, of the product during the warranty period. The extent of any liability of Coyote under this warranty is limited to repair or replacement. This warranty does not cover normal wear of parts, damage resulting from any of the following: negligent use or misuse of the product, use on improper fuel/gas supply, use contrary to operating instructions, or alteration by any person other than a factory service center. The warranty period is not extended by such repair or replacement.

**WARRANTY CLAIM PROCEDURE:** If you require service or parts for your Coyote Grill, please contact our Warranty Service Center for factory direct assistance. Our hours of operation are 8am to 4 pm CST. The phone number is 855.520.1559 and the Fax number is 214.520.1450. You may also fill out warranty claims online at [www.coyoteoutdoor.com](http://www.coyoteoutdoor.com). **Please have your model number, serial number and proof of purchase available for any warranty claim.**

Coyote Outdoor may require the return of defective parts for examination before issuing replacement parts. If you are required to return defective parts, shipping charges must be prepaid by the customer. Upon examination and to Coyote Outdoor's determination, if the original part is proven defective, Coyote Outdoor, may approve your claim and elect to replace such parts without charge. In any instance, customer is responsible for shipping and handling of the replacement parts. Product repair as provided under this warranty is your exclusive remedy. Coyote Outdoor shall not be liable for any incidental or consequential damages for breach of any express or implied warranty on its products.

This warranty does not cover any failures of operating difficulties or operating difficulties due to accidents, abuse, misuse, alteration, misapplication, vandalism, improper installation, maintenance or service, damages caused by flashback fire or grease fires, as set out in the Owner's Manual. This warranty does not cover scratches, dents, corrosion or discoloration caused by weather, heat, abrasive and chemical cleaners, pool or spa chemicals, and/or any tools used in the assembly or installation of this unit. This warranty does not cover paint loss, surface rust, corrosion or stainless steel discoloration which is considered normal wear and tear. This warranty does not cover the cost of any inconvenience, personal injury, or property damage due to improper use or product failure. Deterioration or damage due to severe weather conditions such as hail, hurricanes, earthquakes, tsunamis, tornadoes, terrorism, discoloration due to exposure to chemicals either directly or in the atmosphere, Acts of God/forces of Nature are not covered by this limited warranty.