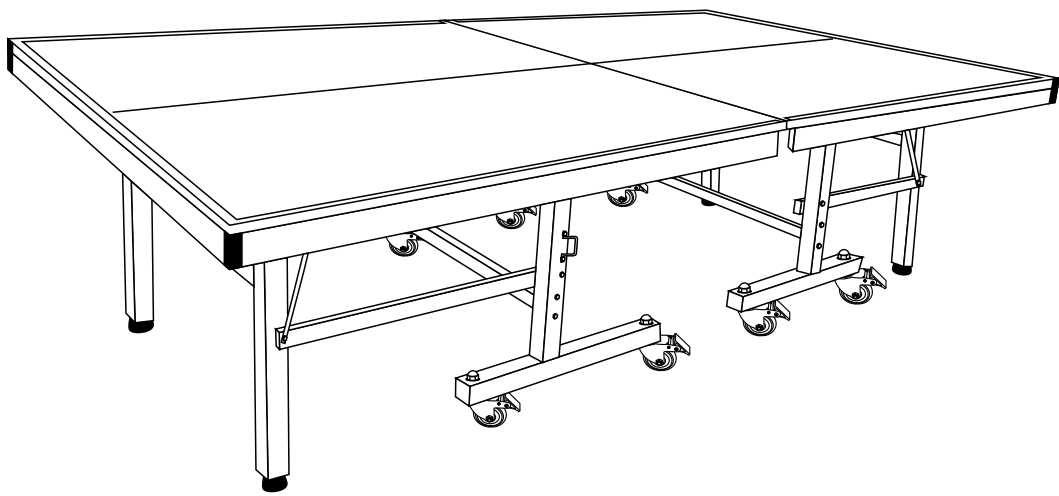


ASSEMBLY INSTRUCTION

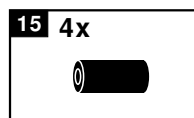
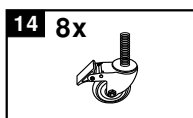
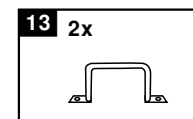
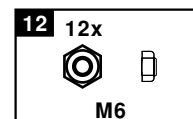
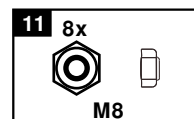
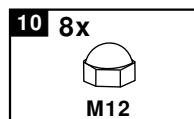
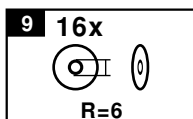
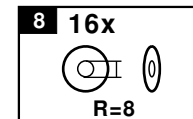
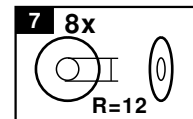
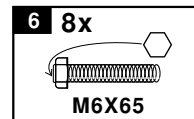
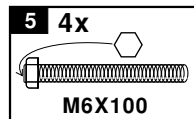
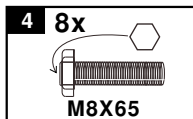
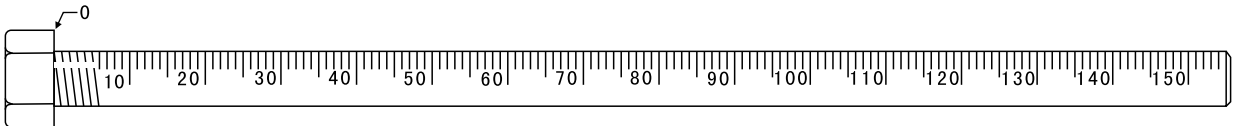
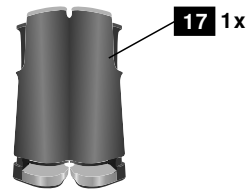
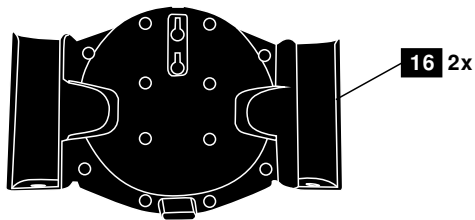
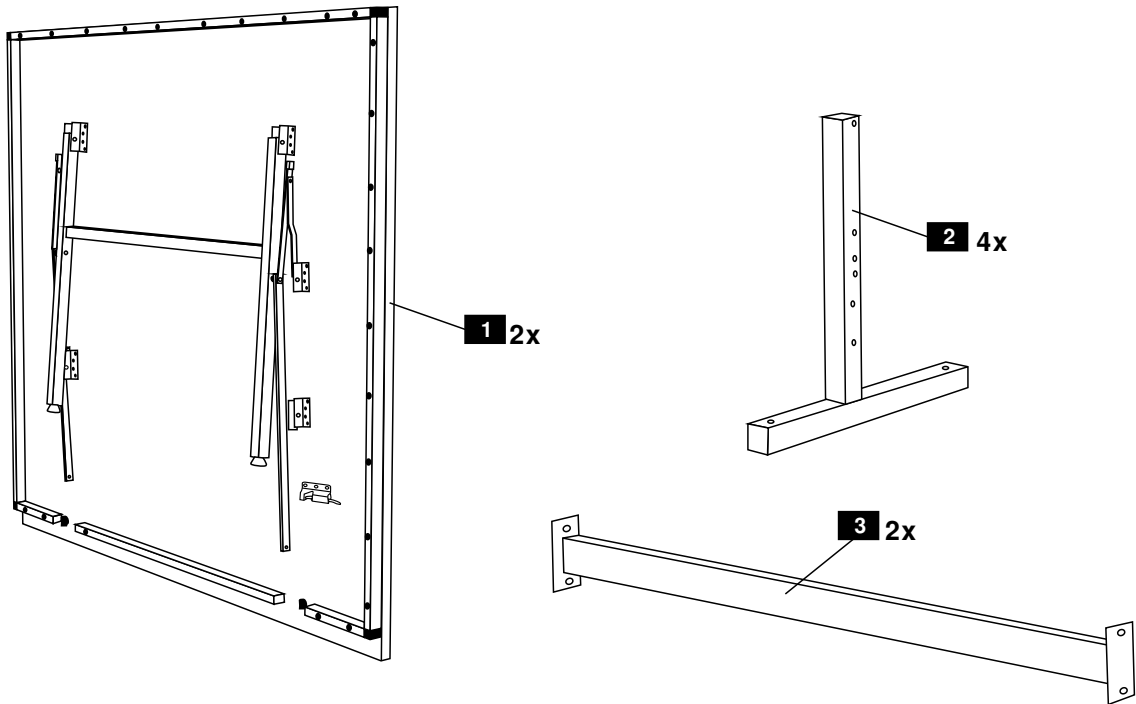


21-380

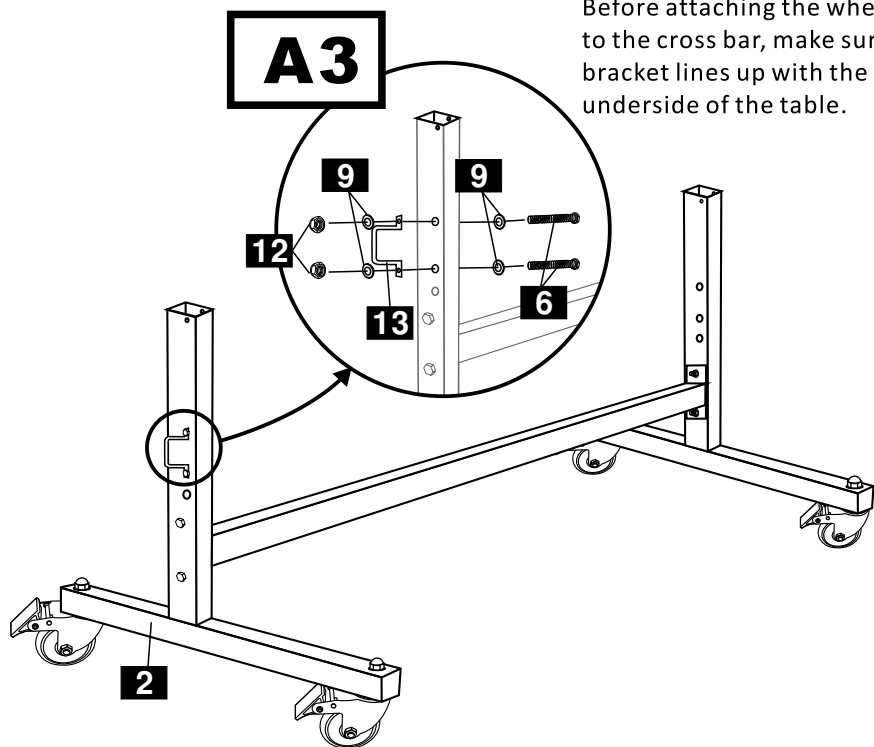
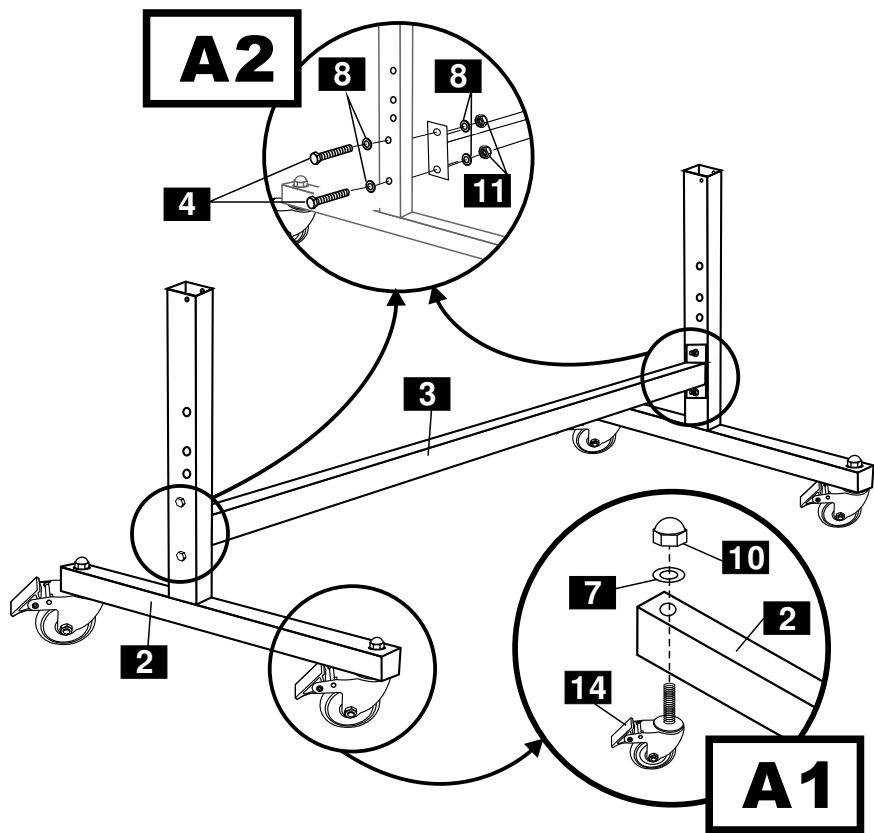
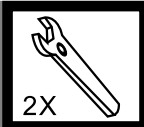


INDOOR

PARTS LIST



A

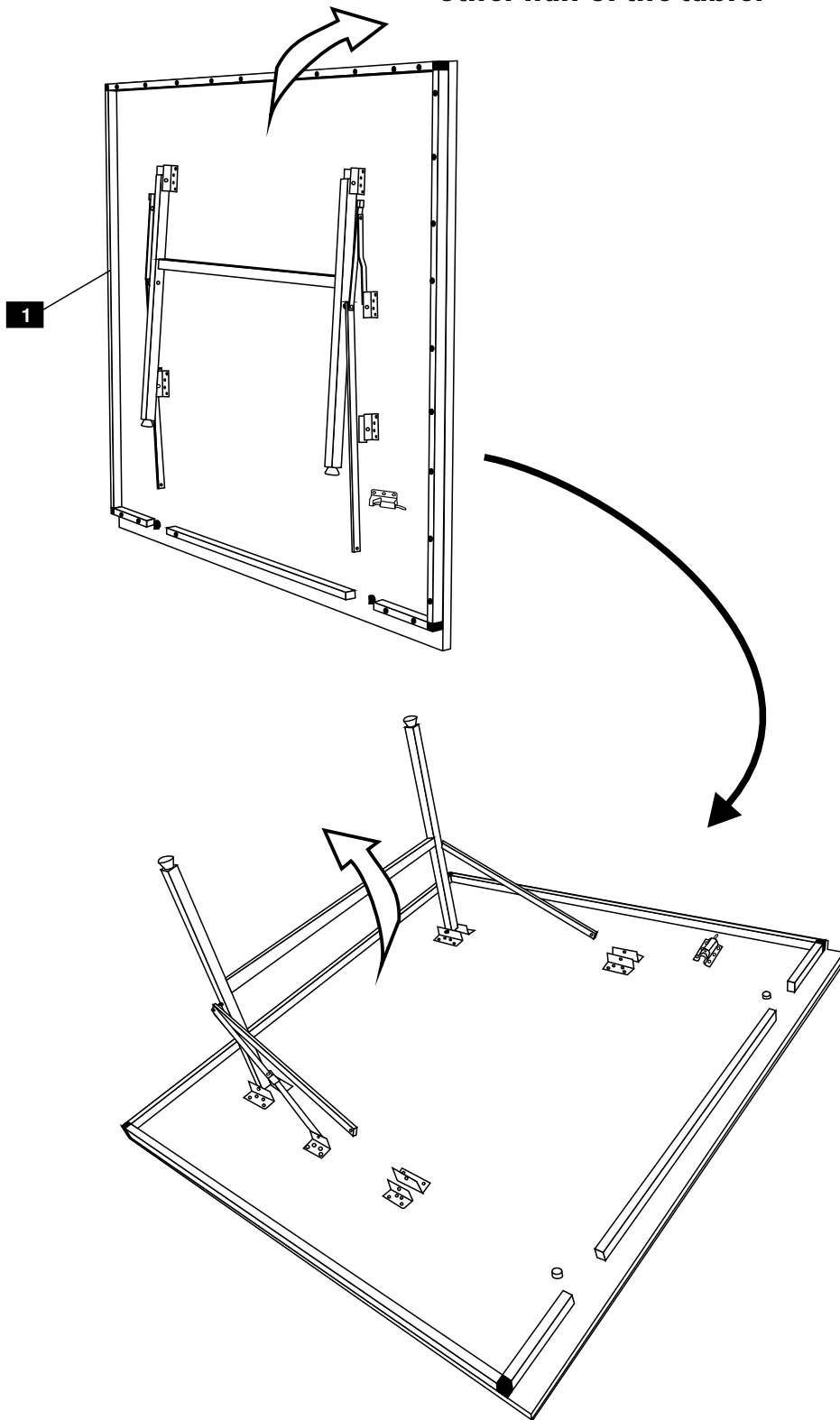


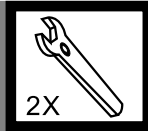
Before attaching the wheel assembly to the cross bar, make sure the locking bracket lines up with the latch on the underside of the table.

B

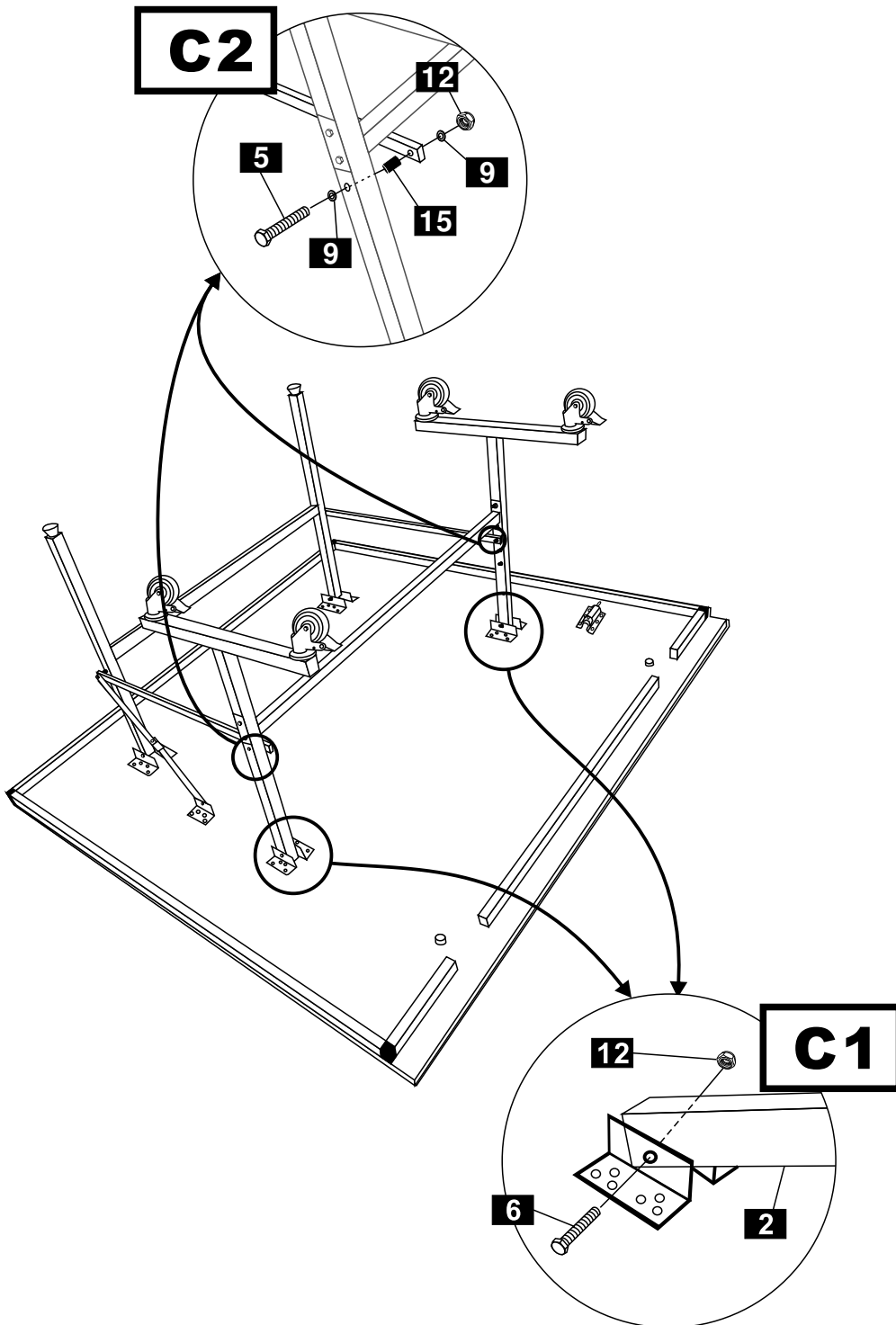


****Repeat these assembly steps with the other half of the table.***





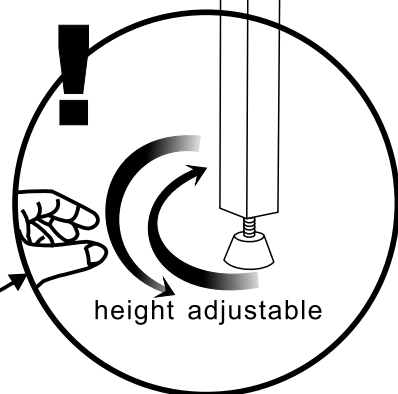
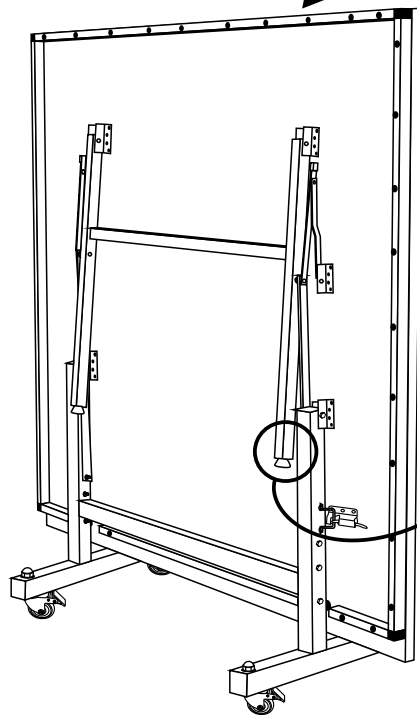
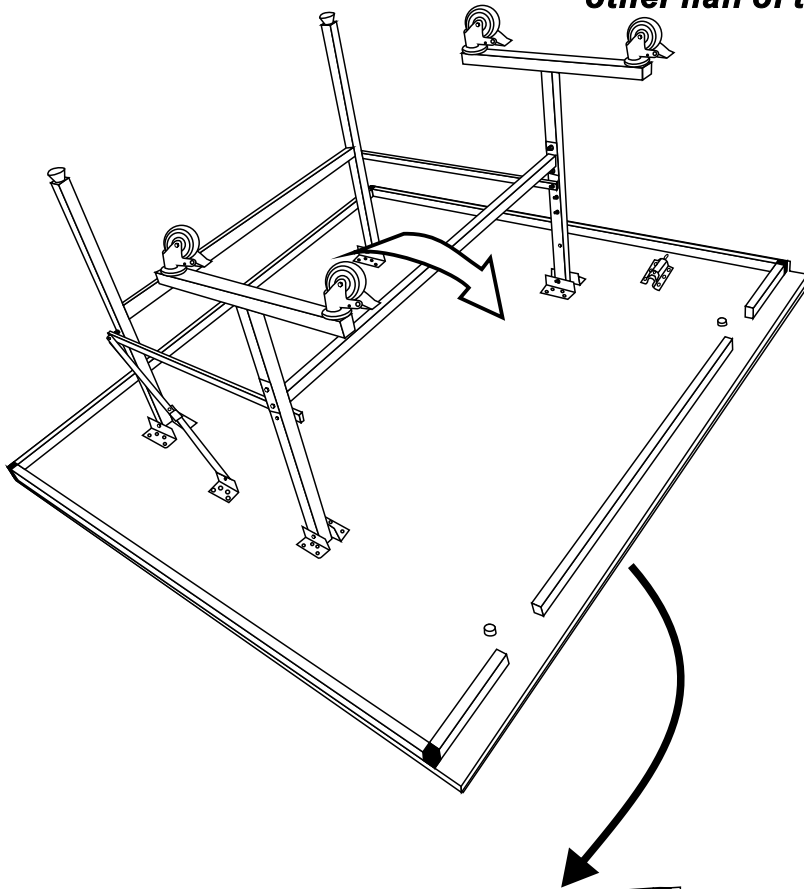
***Repeat these assembly steps with the other half of the table.**



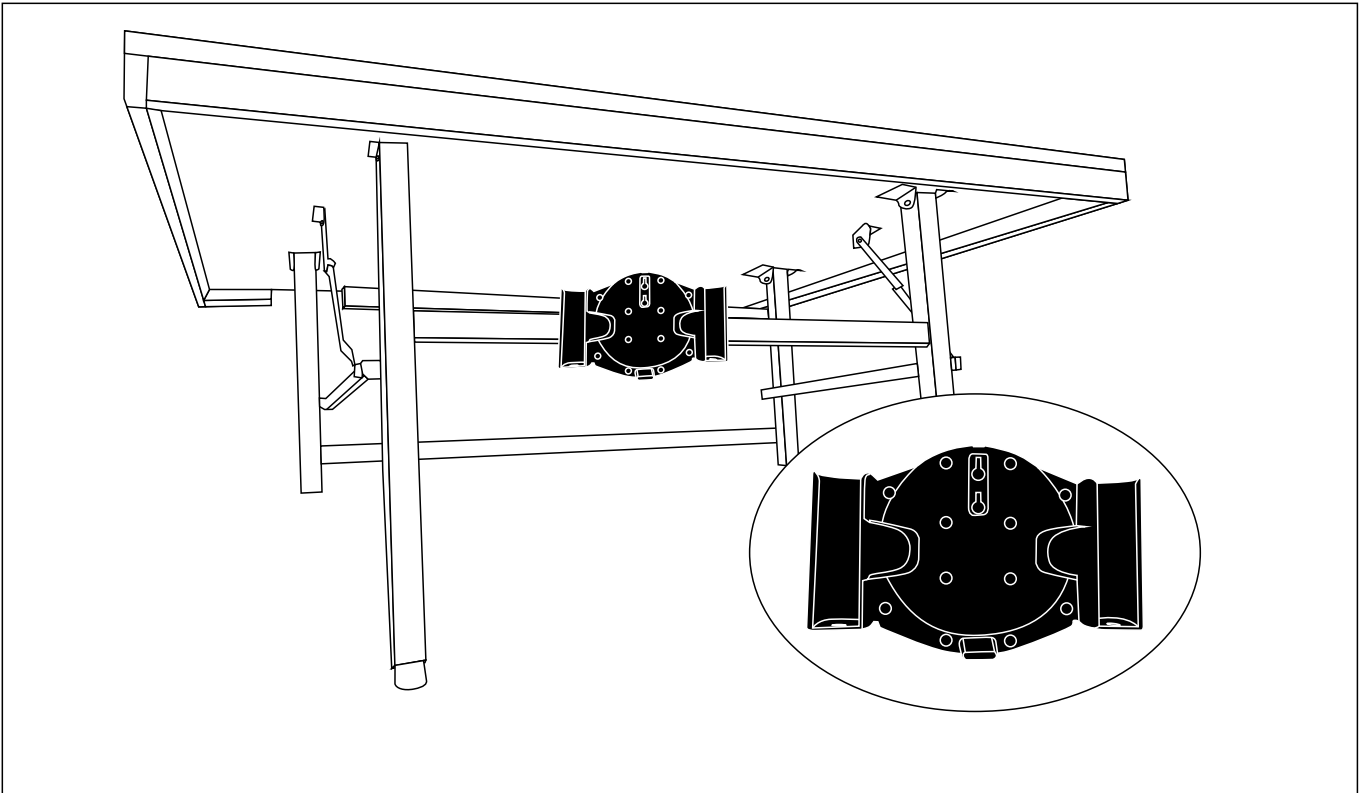
D



****Repeat these assembly steps with the other half of the table.***



WARNING: PLS OPEN ALL THE LOCK ON THE WHEELS WHEN MOVE THE TABLES. OTHERWISE, THE WHEELS WILL BE EASY TO DAMAGE.



ASSEMBLE INSTRUCTION

