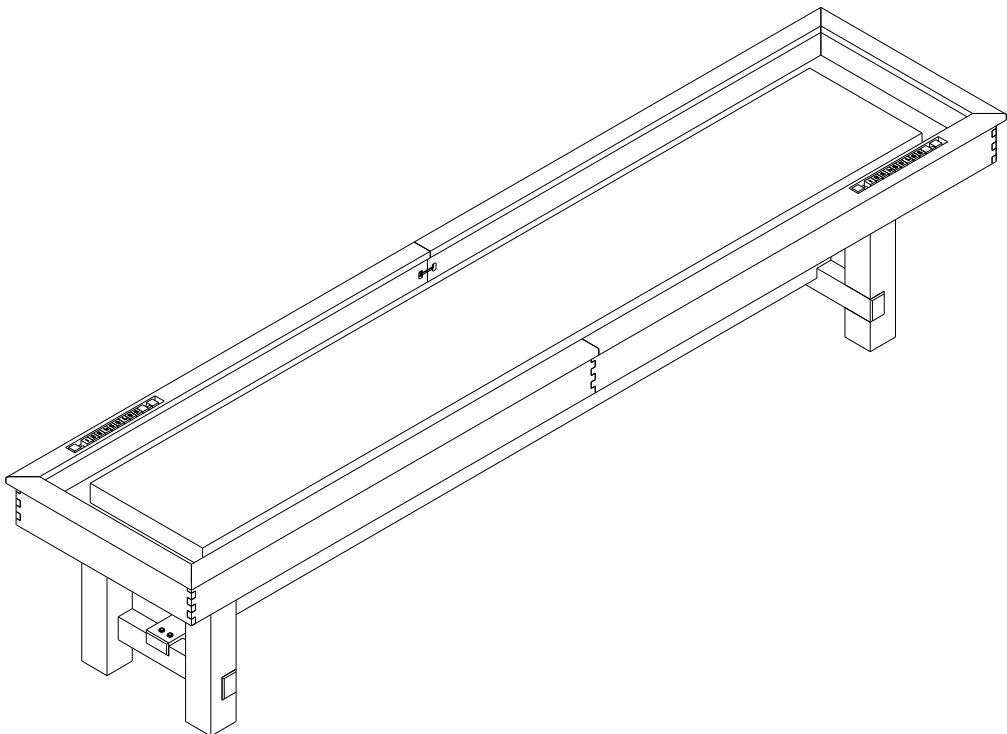


12' RENO



SHUFFLEBOARD TABLE ASSEMBLY INSTRUCTIONS

REPLACEMENT PARTS LIST(HARDWARE)









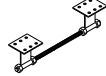
PACKAGE	ITEM#	SAMPLE	DESCRIPTION	QTY.
LEG	H1		HEX HEAD CROSS BOLT 3/8" X 3-1/8" (M10X80mm)	8
	H2		FLAT WASHER 3/8" I.D.	8
	H3		HEX HEAD CROSS BOLT 3/8" X 3-1/8" (M10X80mm)	12
	H4		FLAT WASHER 3/8" I.D.	12
CABINET	H5		HEX HEAD CROSS BOLT 5/16" X 2" (M8X51mm)	6
	H6		FLAT WASHER 5/16" I.D.	6
	H7		HEX HEAD CROSS BOLT 5/16" X 11/16" (M8X17mm)	48
	H8		FLAT WASHER 5/16" I.D.	48
	H9		CLIMATIC ADJUSTERS	4

FIG.1

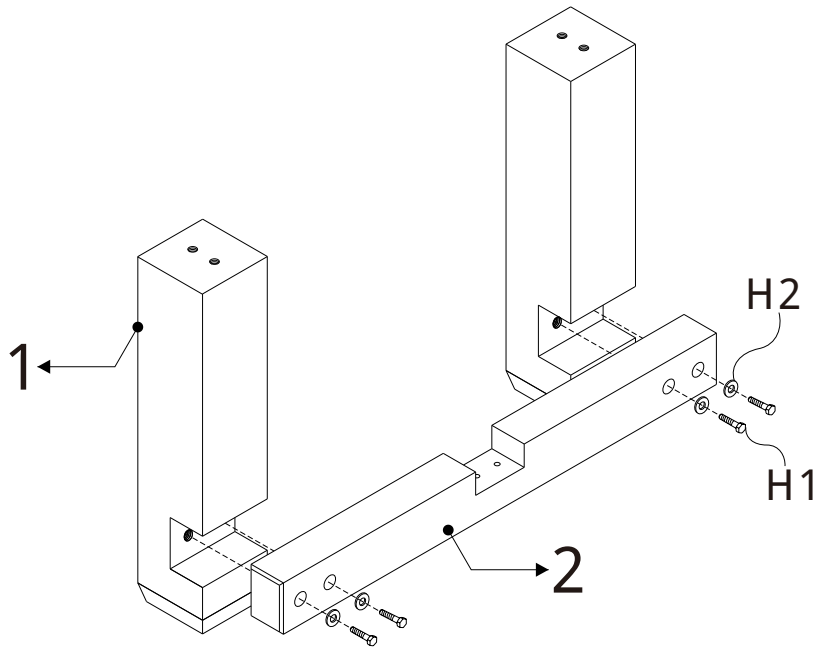


FIG.2

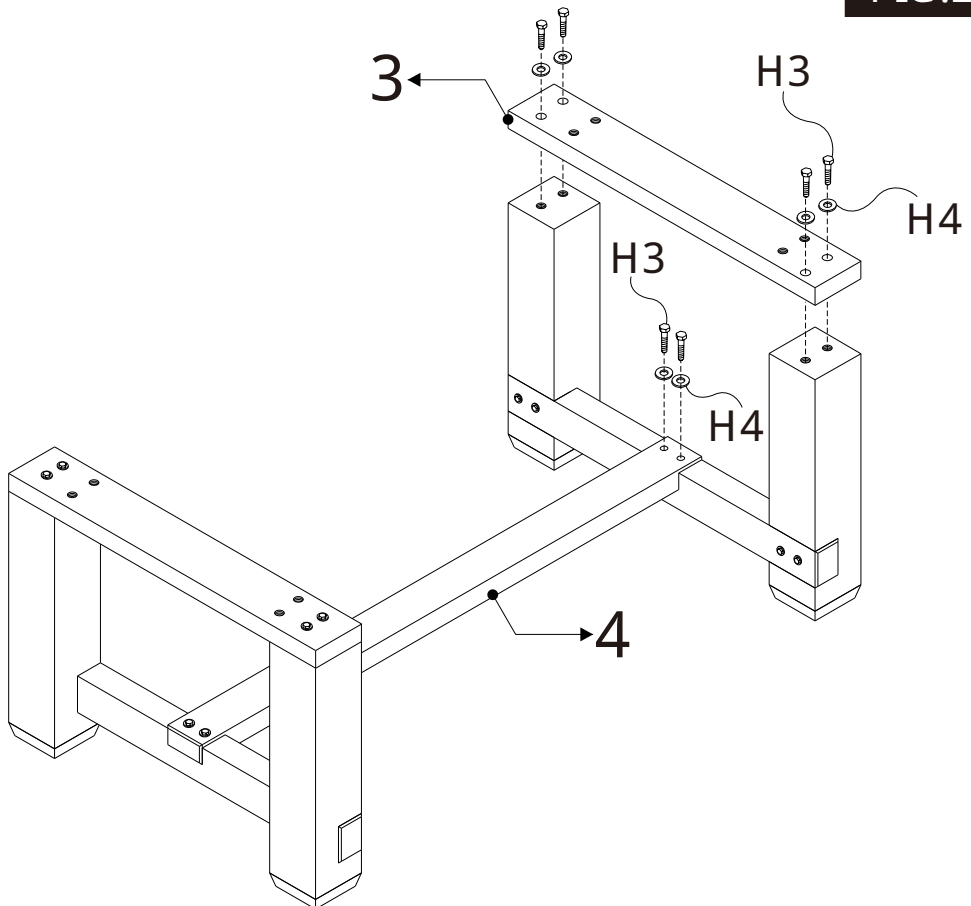


FIG.3

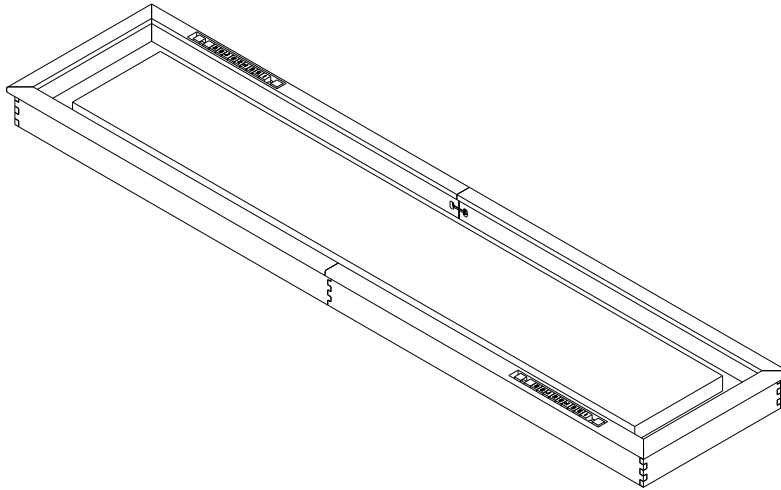
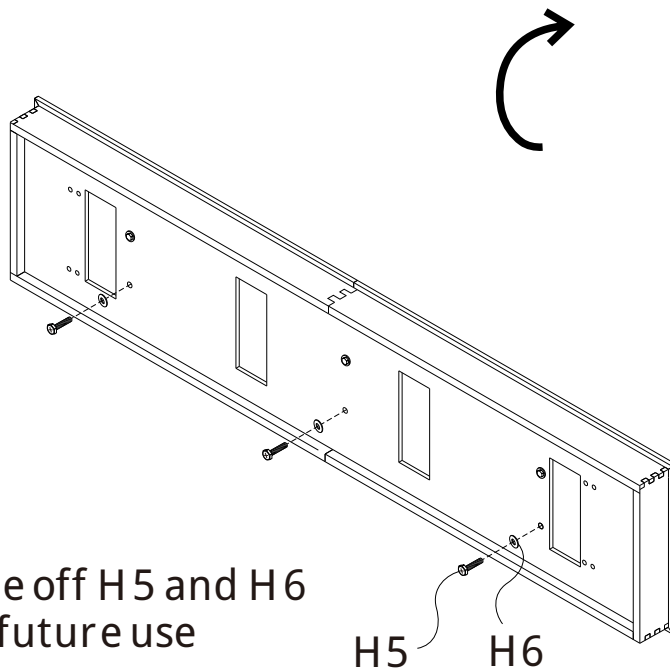


FIG.4



* Take off H5 and H6
for future use

FIG.5

* Remove playboard

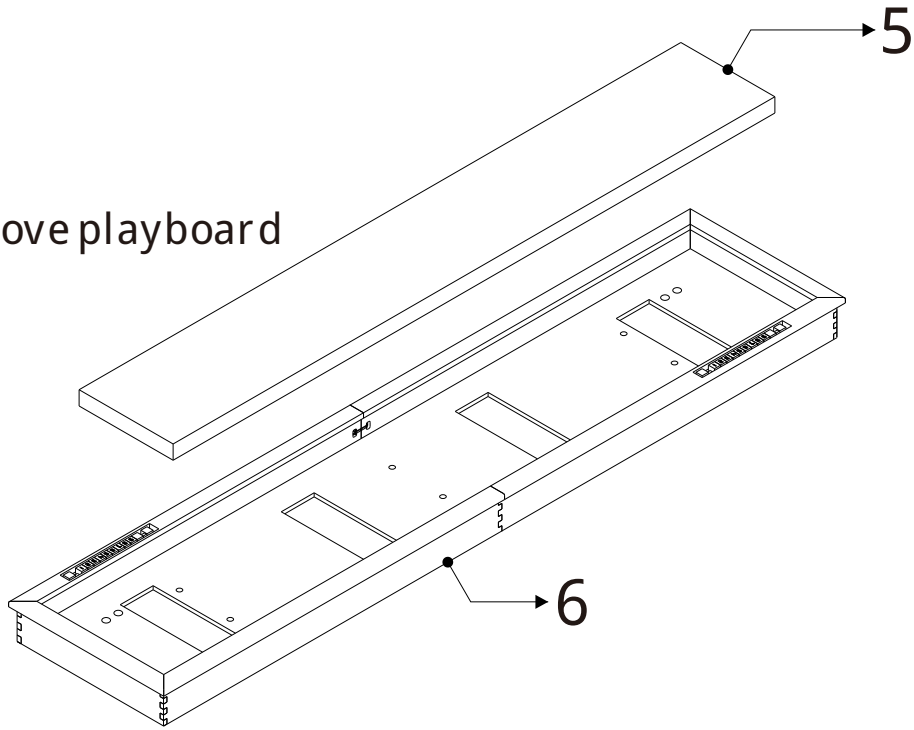
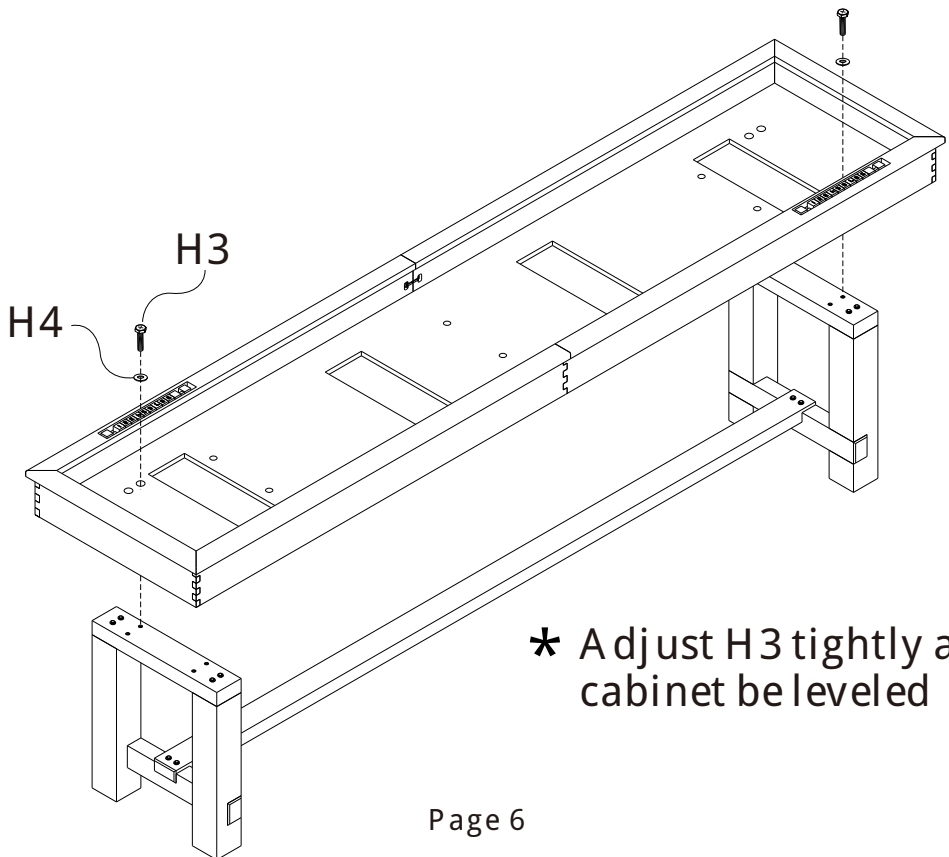


FIG.6



* Adjust H3 tightly after cabinet be leveled

FIG.7

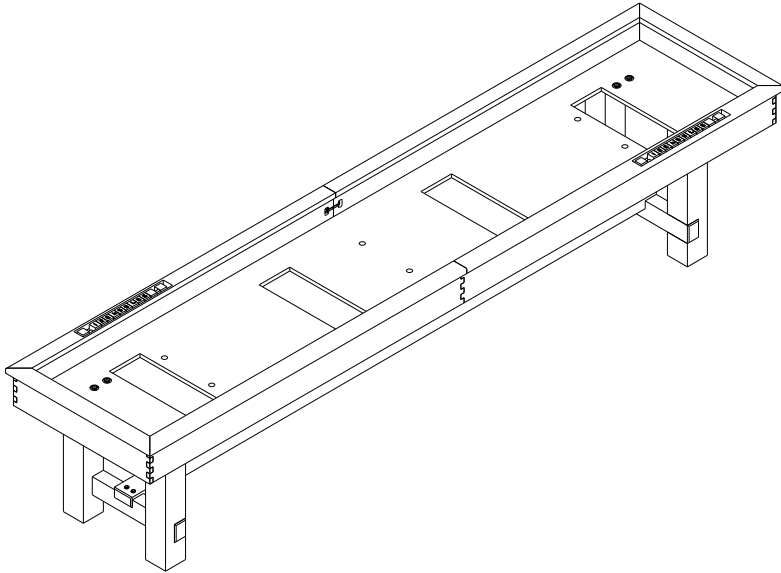


FIG.8

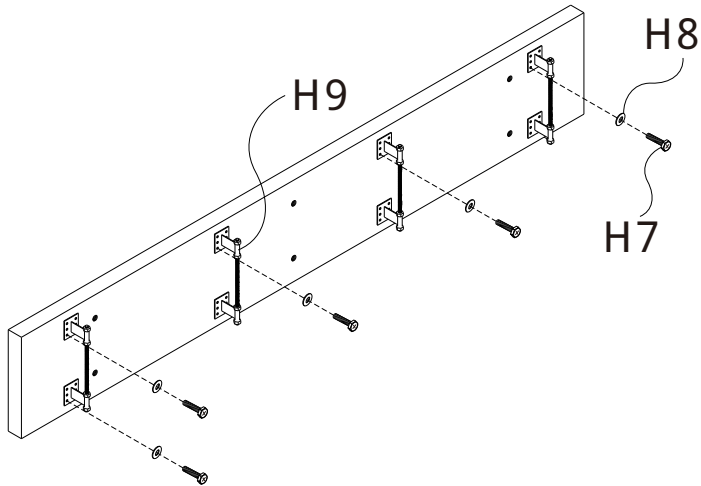
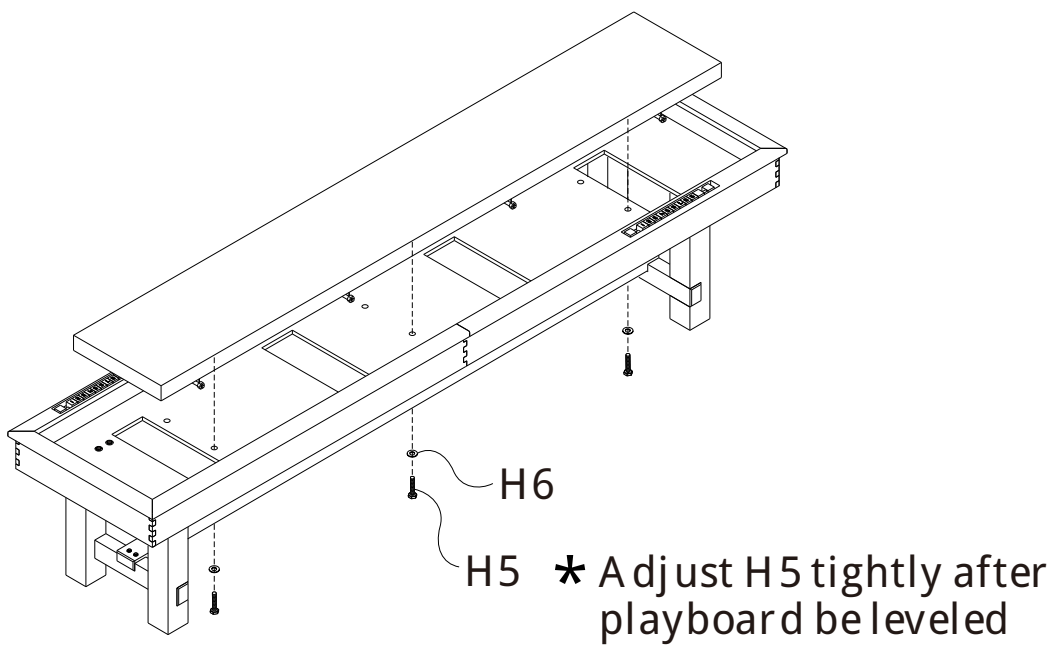


FIG.9



Finish

