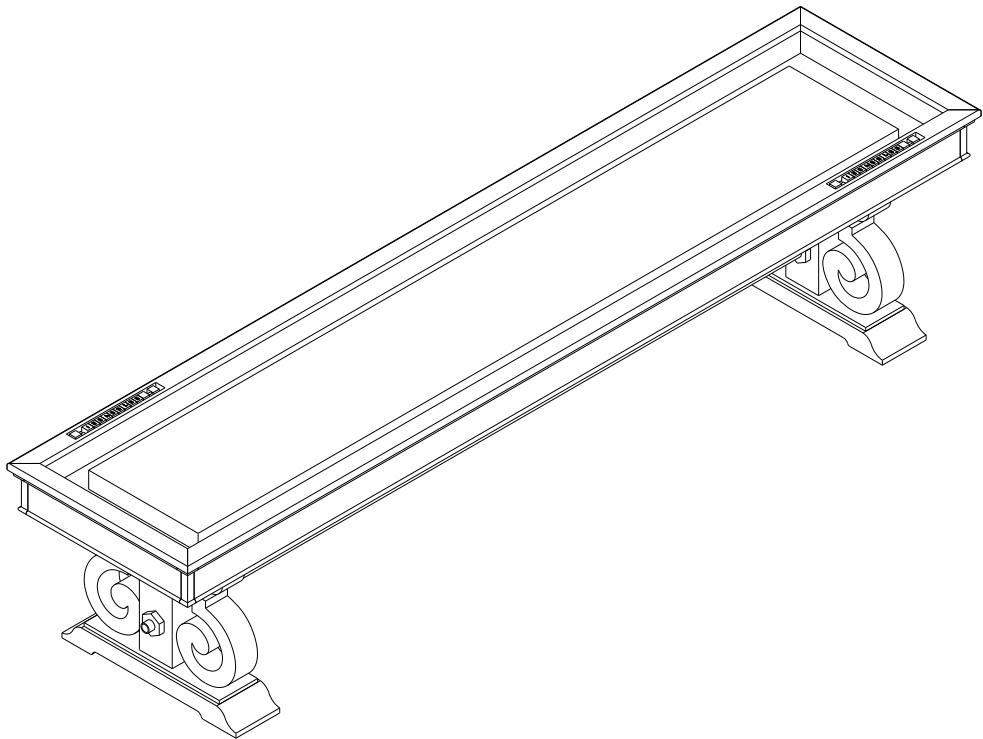
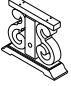
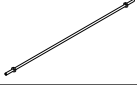
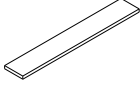
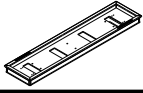


12' BARNSTABLE



SHUFFLEBOARD TABLE ASSEMBLY INSTRUCTIONS

REPLACEMENT PARTS LIST

PACKAGE	ITEM#	SAMPLE	DESCRIPTION	QTY.
LEG	1		LEG	2
	2		LEG BEAM	1
CABINET	3		PLAYBOARD	1
	4		CABINET	1

REPLACEMENT PARTS LIST(HARDWARE)

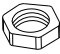






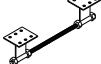
PACKAGE	ITEM#	SAMPLE	DESCRIPTION	QTY.
LEG	H1		HEX NUT 1-1/2" I.D.	2
	H2		HEX HEAD CROSS BOLT 5/16" X 2"(M8X51mm)	8
	H3		FLAT WASHER 5/16" I.D.	8
CABINET	H4		HEX HEAD CROSS BOLT 5/16" X 2"(M8X51mm)	6
	H5		FLAT WASHER 5/16" I.D.	6
	H6		HEX HEAD CROSS BOLT 5/16" X 1"(M8X25mm)	48
	H7		FLAT WASHER 5/16" I.D.	48
	H8		CLIMATIC ADJUSTERS	4

FIG.1

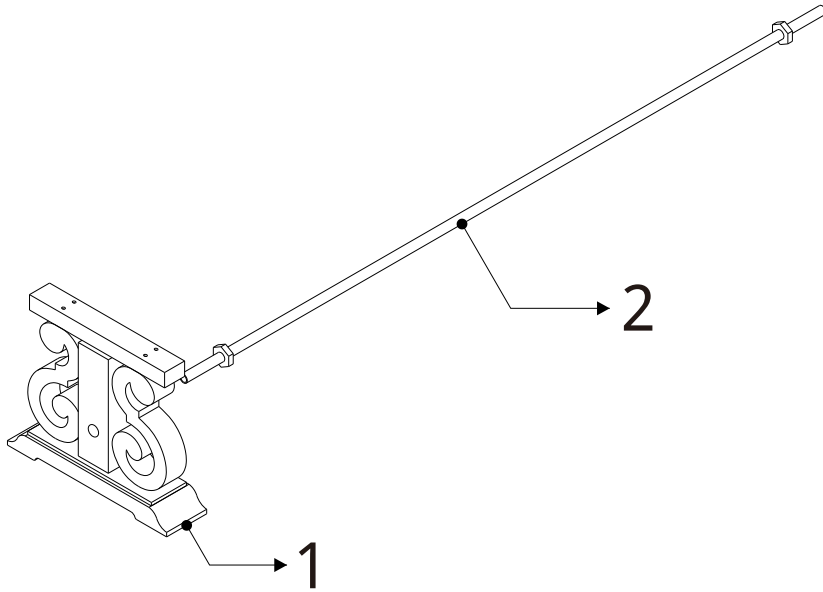


FIG.2

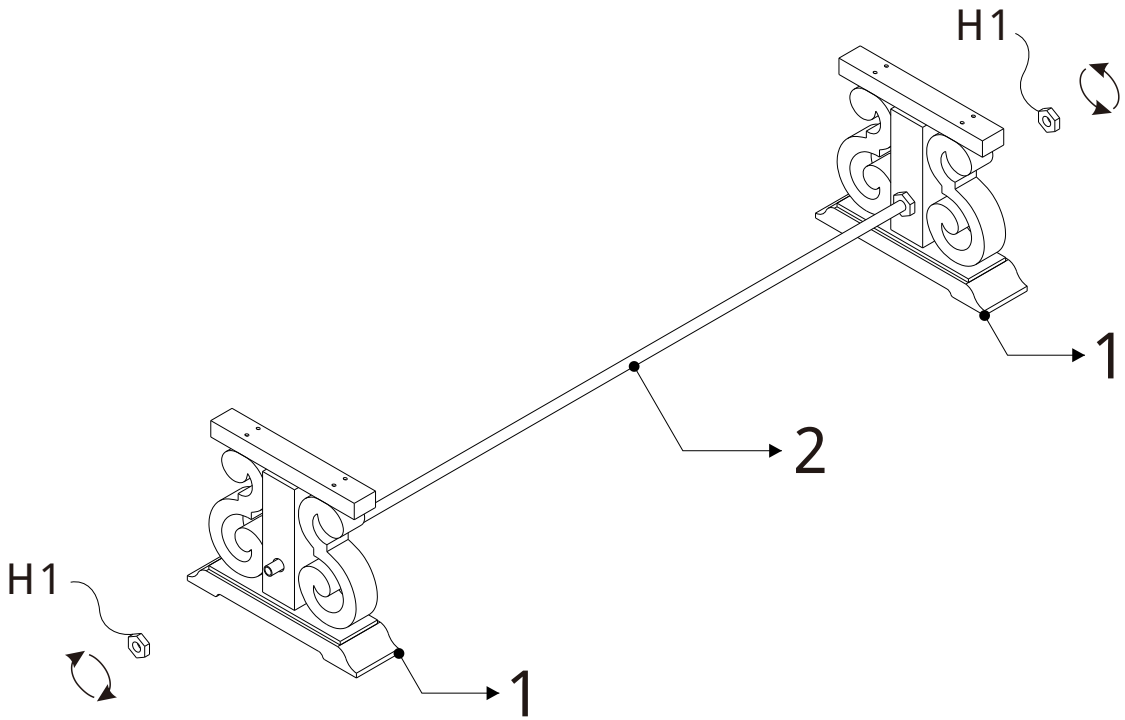


FIG.3

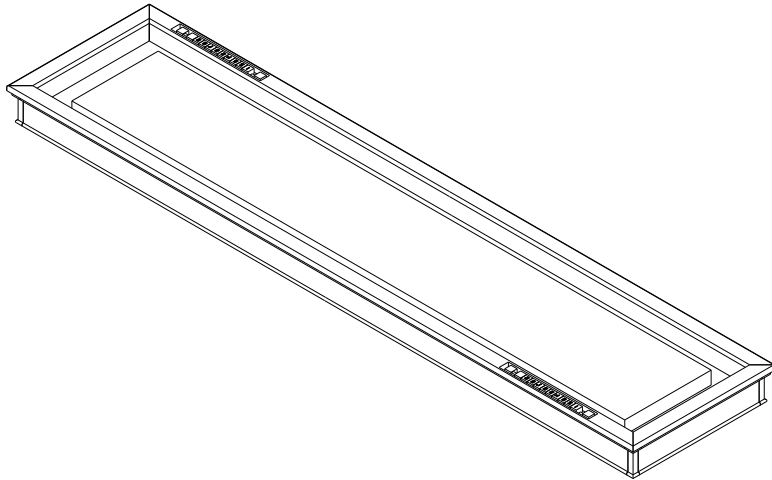
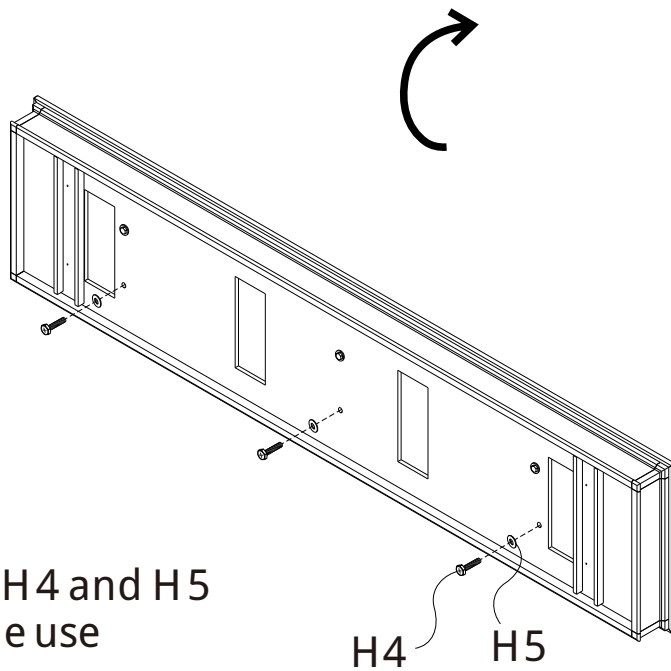


FIG.4



* Take off H4 and H5
for future use

FIG.5

* Remove playboard

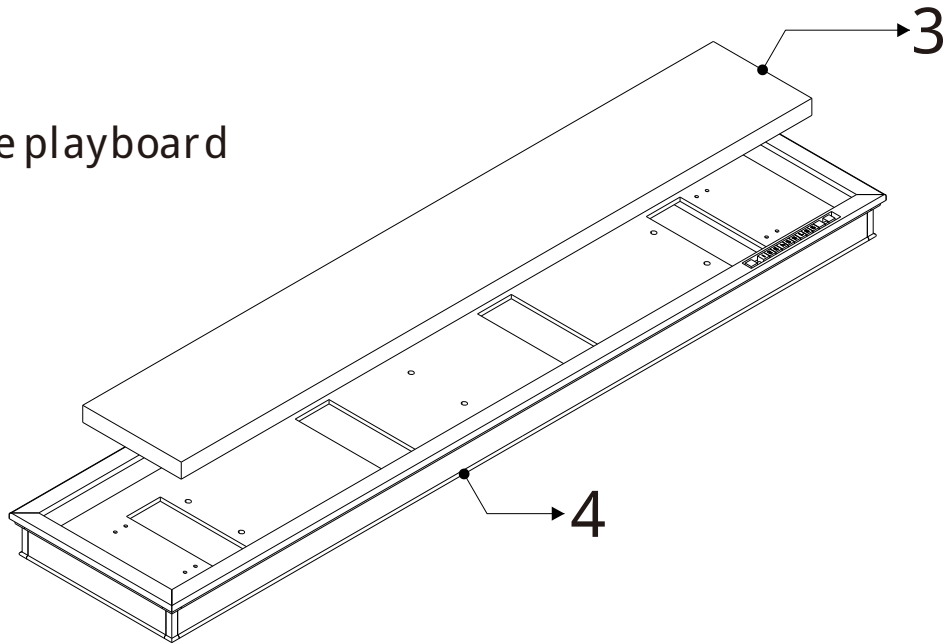
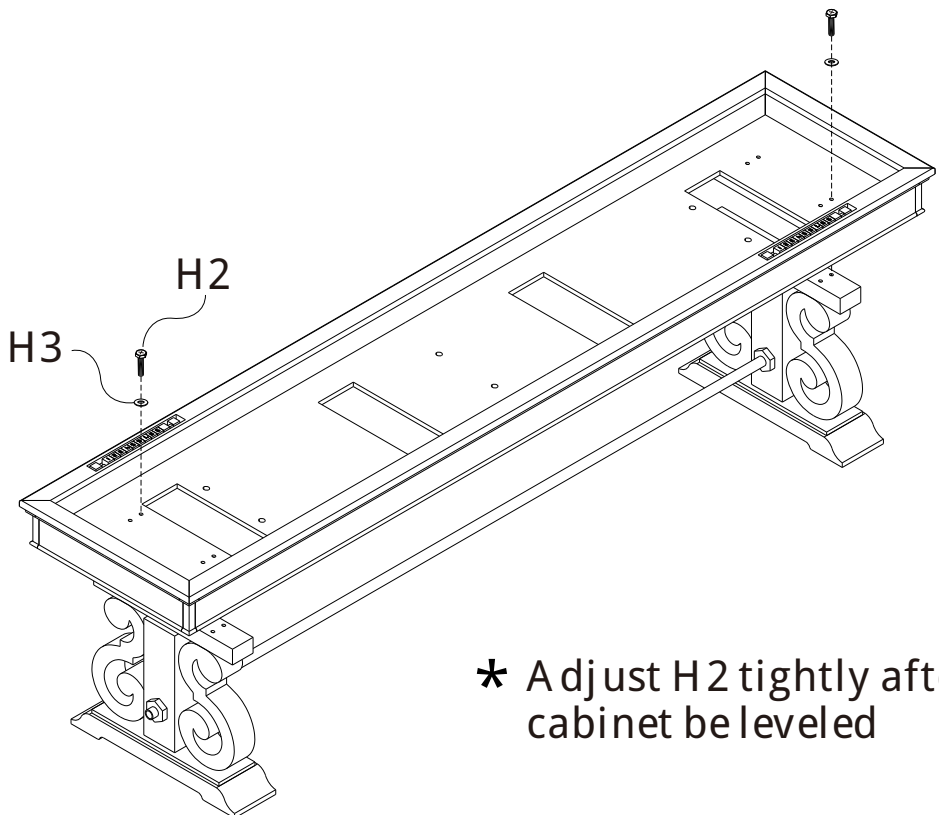


FIG.6



* Adjust H2 tightly after cabinet be leveled

FIG.7

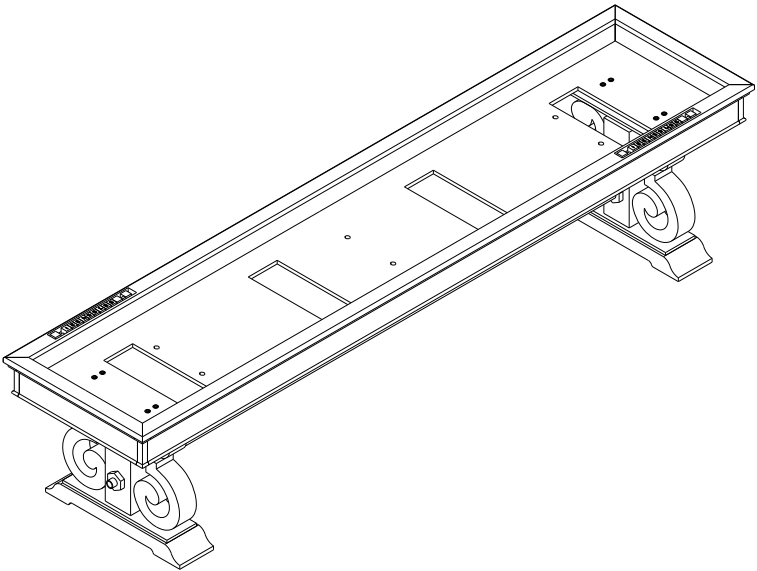


FIG.8

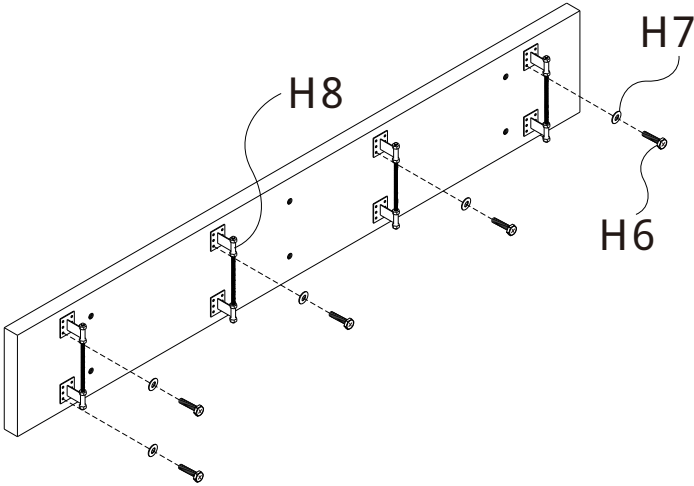
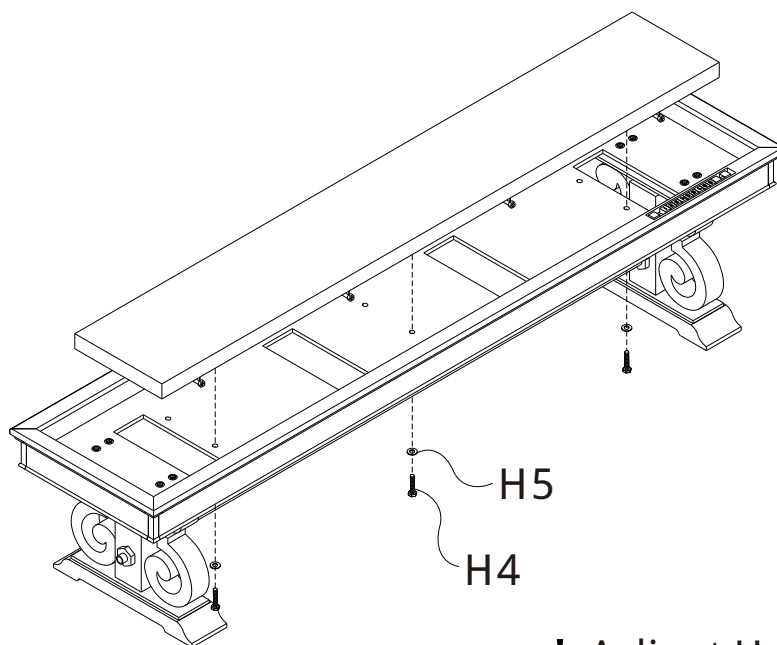


FIG.9



* Adjust H4 tightly after playboard be leveled

Finish

