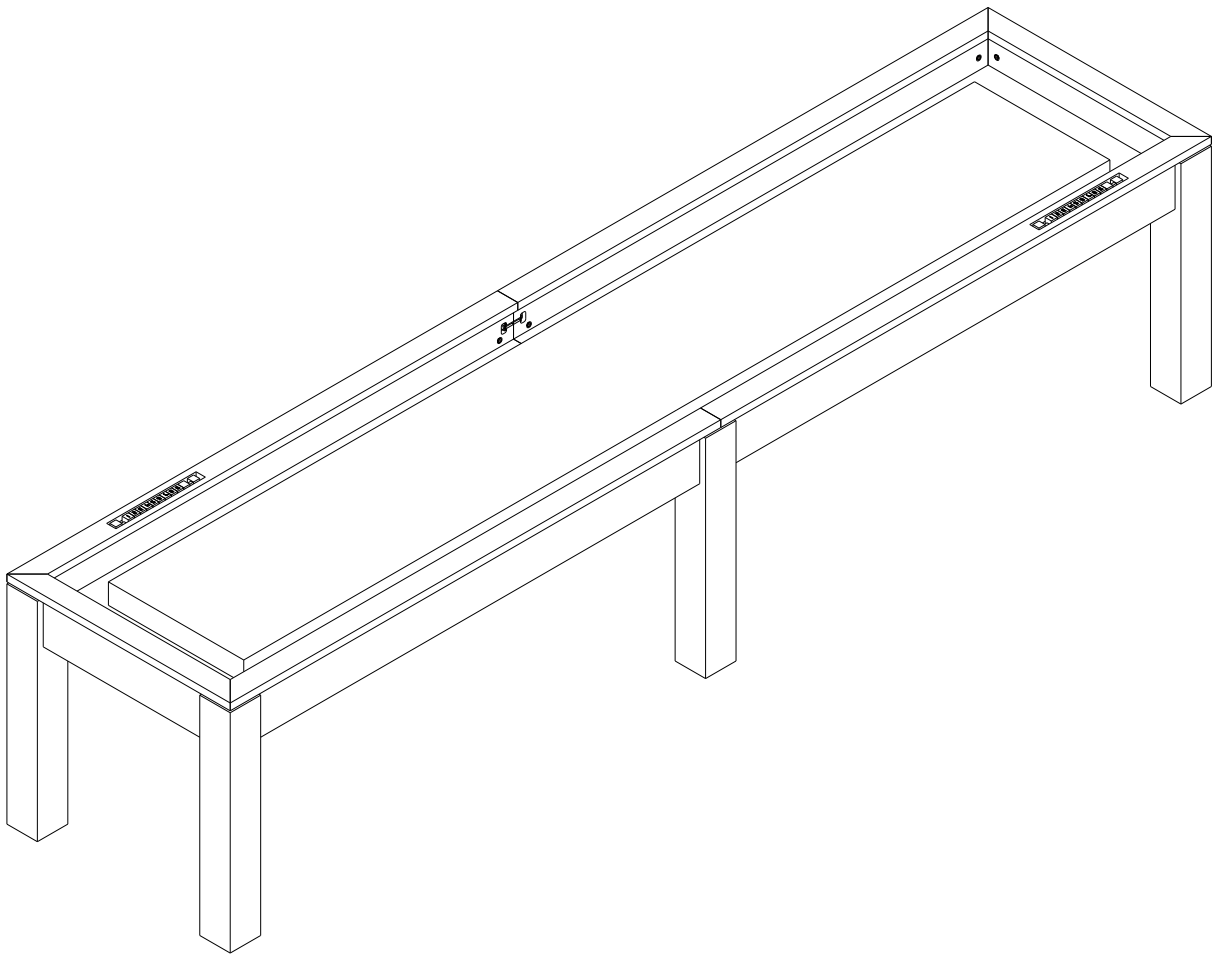




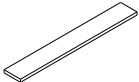
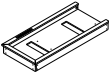

IMP26-0398  
IMP26-12298

# *12' PENELOPE*

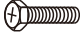








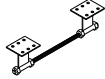


## **SHUFFLEBOARD TABLE ASSEMBLY INSTRUCTIONS**

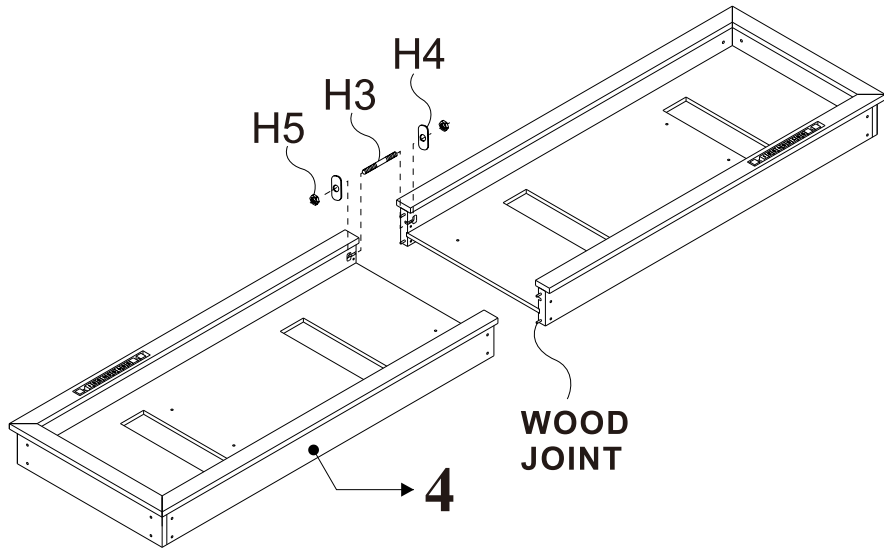
## REPLACEMENT PARTS LIST

PACKAGE	ITEM#	SAMPLE	DESCRIPTION	QTY.
<b>LEG</b>	<b>1</b>		<b>CORNER LEG</b>	<b>4</b>
	<b>2</b>		<b>MIDDLE LEG</b>	<b>2</b>
<b>CABINET</b>	<b>3</b>		<b>PLAYBOARD</b>	<b>1</b>
	<b>4</b>		<b>CABINET</b>	<b>2</b>
	<b>5</b>		<b>WOOD JOINT</b>	<b>4</b>

## REPLACEMENT PARTS LIST(HARDWARE)

PACKAGE	ITEM#	SAMPLE	DESCRIPTION	QTY.
LEG	H1		<b>HEX HEAD CROSS BOLT 5/16" X 1-1/2"(M8X37mm)</b>	24
	H2		<b>FLAT WASHER 5/16" I.D.</b>	24
CABINET	H3		<b>STUD BOLT 5/16" X 5-1/2"(M8X140mm)</b>	2
	H4		<b>FLAT WASHER 5/16" I.D.</b>	4
	H5		<b>HEX NUT 5/16" I.D.</b>	4
	H6		<b>HEX HEAD CROSS BOLT 5/16" X 1"(M8X25mm)</b>	6
	H7		<b>FLAT WASHER 5/16" I.D.</b>	6
	H8		<b>HEX HEAD CROSS BOLT 5/16" X 1"(M8X25mm)</b>	48
	H9		<b>FLAT WASHER 5/16" I.D.</b>	48
	H10		<b>CLIMATIC ADJUSTERS</b>	4

**FIG.1**



**FIG.2**

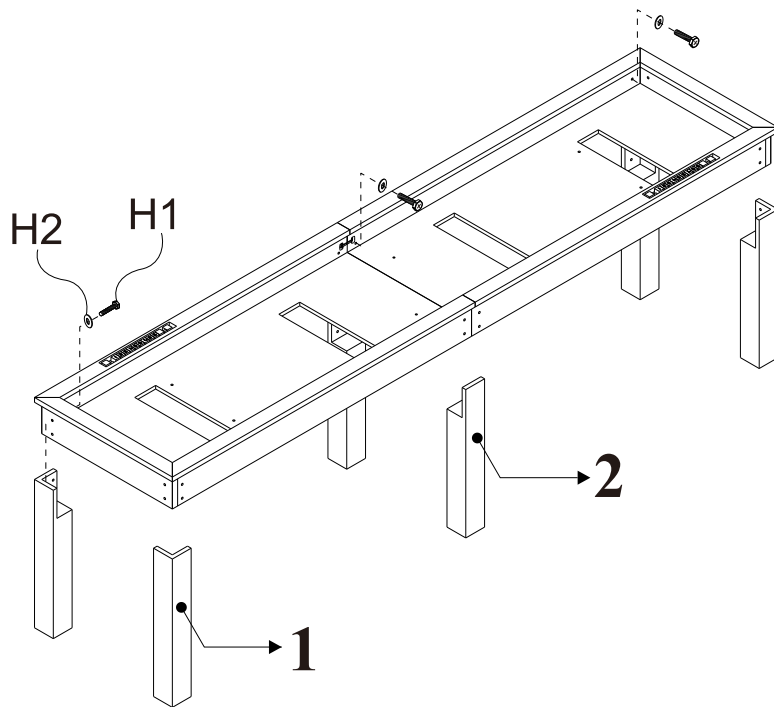


FIG.3

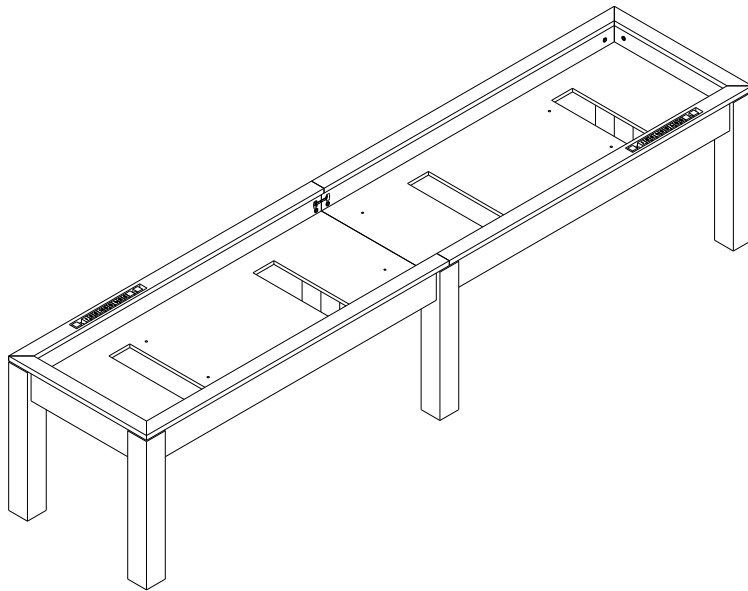


FIG.4

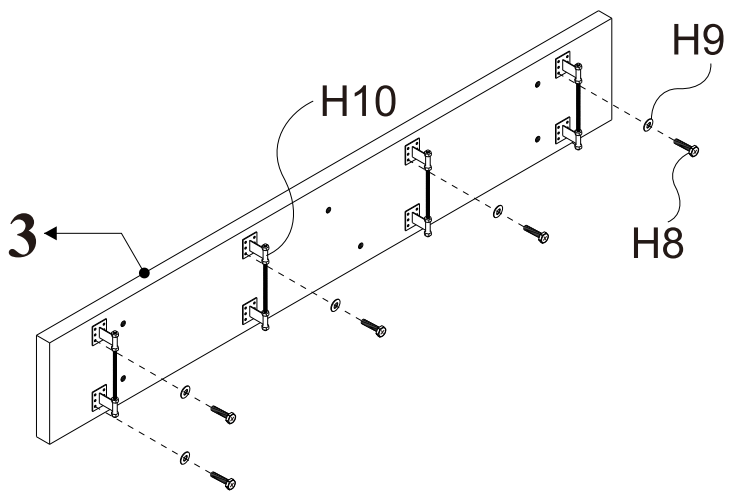
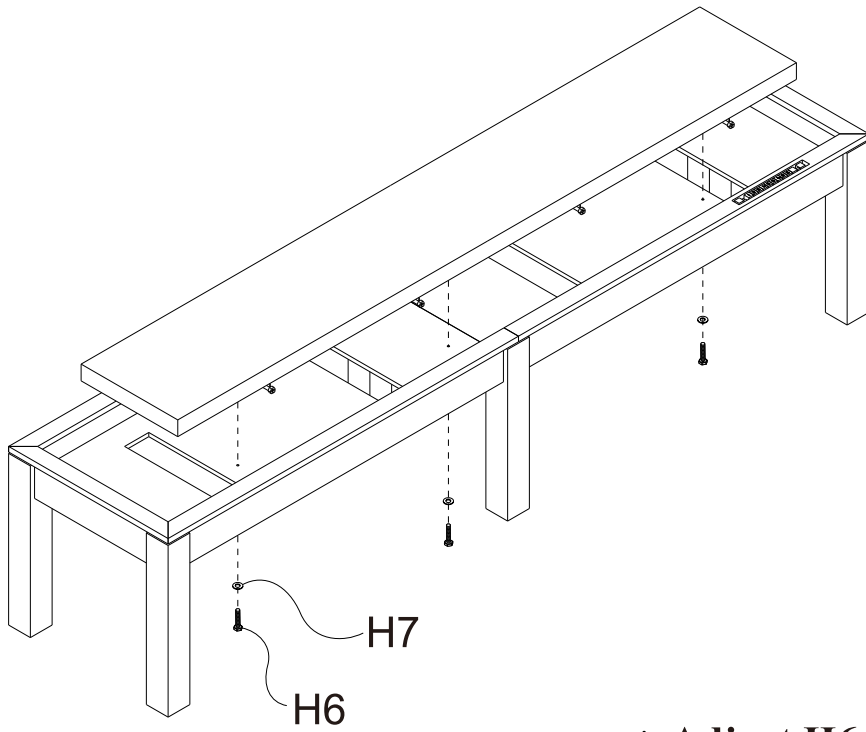


FIG.5



**\* Adjust H6 tightly after playboard be leveled**

Finish

