

**APEX**



**APEX-V1 Instruction Manual**

Thank you for purchasing this Massage Chair.  
Before using your massage chair, please read the contents of this  
instruction manual and refer to it when needed.

# Contents

Safety Precautions .....	1-3
Grounding Instructions .....	4
Chair Components .....	5
Product Function Features.....	6
Installation Instructions.....	7-10
Operation Instructions.....	11
Specifications .....	13
Troubleshooting .....	14
Cleaning and Maintenance .....	15-16
Moving the chair.....	17

---

## 01 Safety Precautions

Basic precautions should always be followed when using an electrical unit, including the following.

To reduce the risk of personal injury, read and understand all the instructions before using this product.

**Notice:** Please put relevant notice on visible area if necessary.

**DANGER** - To reduce the risk of electric shock:

1. Always unplug the unit when not in use.
2. Always unplug the unit before cleaning.

**WARNING** - To reduce the risk of burns, fire, electric shock, or injury please review:

1. Always unplug the unit when not in use.
2. Close and continuous supervision is necessary when the unit is used by people who are limited in their ability to move or communicate.

Only use the unit for the purpose described in these instructions.

3. Do not stand on the unit.
4. Do not use any accessories other than those recommended by the manufacturer.
5. This unit should not be used by children. Keep children away from the unit.
6. Never operate the unit if it has a damaged power cord or plug. Please contact the Titan Chair LLC's service department at 888-848-2630 if it is not working properly. If the chair has been severely damaged, dropped or if it has been in contact with liquids, do NOT use the chair.
7. Inspect the back cushion to check that the fabric of the backrest has not been ripped before using the unit. Please also check other areas to ensure that the fabric has not been ripped or worn out. No matter how small the rip, if you find one, immediately stop using the unit, unplug the power cord and have the unit repaired by ordering a replacement part before using again.
8. Keep the power cord away from heated surfaces or areas such as fire places, heating vents, etc.
9. Do not pull the unit by the power cord. Be sure the power cord is not near and debris, liquids and flammable gases or substances.
10. The unit should not be used on top of heated rugs or any surface that emits temperatures outside from room temperature, such as electric blankets, etc. Do not operate the unit under loose fabrics or cloths . Excessive heating can occur and cause fire, electric shock, or injury to persons.
11. Never block the air openings during operation and make sure that all air

---

openings are kept free of lint and hair, debris. Do not drop or insert anything into any of the openings of the unit.

12. The unit should not be used or placed in bathrooms or damp or humid places as this may cause electric shock and serious injury to the user and the chair.

13. Do not use the unit outdoors.

14. Do not use the unit in places where aerosol spray products are in use or where oxygen is being used.

15. When unplugging the unit, turn off all controls before removing the plug from power outlet. A transformer should not be used as this may cause an electric shock causing the unit to malfunction.

16. Connect this unit to a properly grounded outlet only. See grounding instructions.

17. Keep away from direct sunlight or strong lamps that may cause the chair overheat, melt or fade.

## **SAVE THESE INSTRUCTIONS**

### **WARNING:**

1. Persons with any of the conditions listed below or who are undergoing medical treatment should not use the unit:

- a) Pregnant women, people who any medical conditions. Consult with your doctor before using.
- b) People suffering from back, neck shoulder, or hip pain.
- c) People who have a pacemaker, defibrillator, or other personal medical devices implants must consult with your doctor. People with pacemakers or heart condition should NOT use. This product emits a magnetic field.
- d) People suffering from heart disease.
- e) People who are prohibited from receiving massage by a physician due to thrombosis or aneurism, acute varicose veins, or other circulatory disorders.
- f) People with irregular curvatures of the spine.

2. Make sure that no part of your body is between the massage heads as the squeezing action may cause serious injury. Your fingers and your feet should not be put in the gap between the backrest and the seat, the backrest and the armrest, the seat and the cover under the the armrest and the gap between the legrest and the footrest. Also, no part of your body, including your fingers, should be put in the mechanism below the legrest or between the legrest and the footrest.

3. The unit should not be used against bare skin, exposing the skin directly to the

---

unit may irritate the skin. Avoid wearing anything hard on your head like a hair accessory, clips, etc. when using this unit, excessively usage should be avoided to prevent injury.

4. Excessive massaging can overstimulate the muscles and nerves and result in an adverse effect or injury. The unit should not be used for more than a total of 30 minutes each session to avoid excessive massaging.
5. While using the unit, if you start feeling sick or if the massage seems painful, stop using it immediately.
6. You should not fall asleep while using the unit or use the unit after drinking alcohol.
7. If the unit functions abnormally, immediately turn off the power and contact the manufacturer.
8. Do not service or repair the chair unless properly instructed.
9. Sit on the unit after confirming there is no foreign matter between the parts of the unit. (Confirm that there are no foreign objects stuck in the back cushion, leg/sole massage section, or under the seat.) failure to observe this precaution may result in accident or injury.
10. Always return the legrest to its original position before moving the unit. Failure to observe this precaution may result in injury due to the legrest returning to its original position when the unit is being moved.

---

## 02 Grounding Instructions

The unit must be properly grounded. If it should malfunction or break down, grounding provides a path of least resistance for electric current in order to reduce the risk of electric shock.

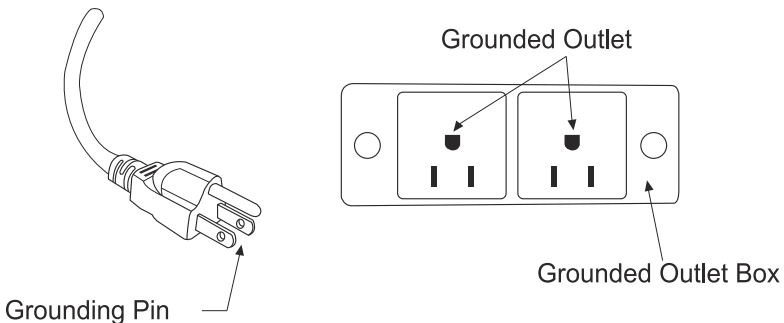
This unit is equipped with a cord equipped with a grounding conductor and a grounding plug. The plug must be plugged into an appropriate outlet that has been properly installed in accordance with all local codes and ordinances. Be sure the prongs of the plug are in perfect condition.

### **DANGER**

Improper connection of the equipment-grounding conductor may lead to electric shock. Check with a qualified electrician if you are in doubt as to whether or not the unit is properly grounded. Do not modify the plug provided with the unit if it will not fit the power outlet. Instead, have the plug replaced to avoid serious injury or damage to the chair.

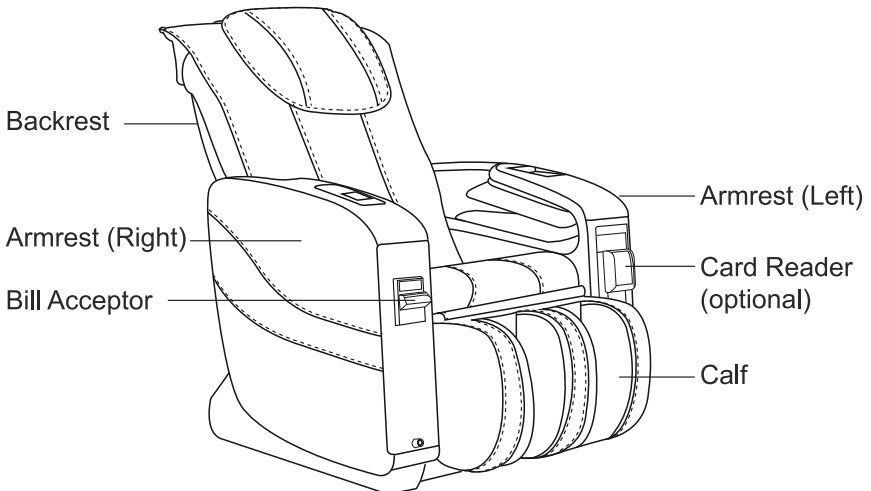
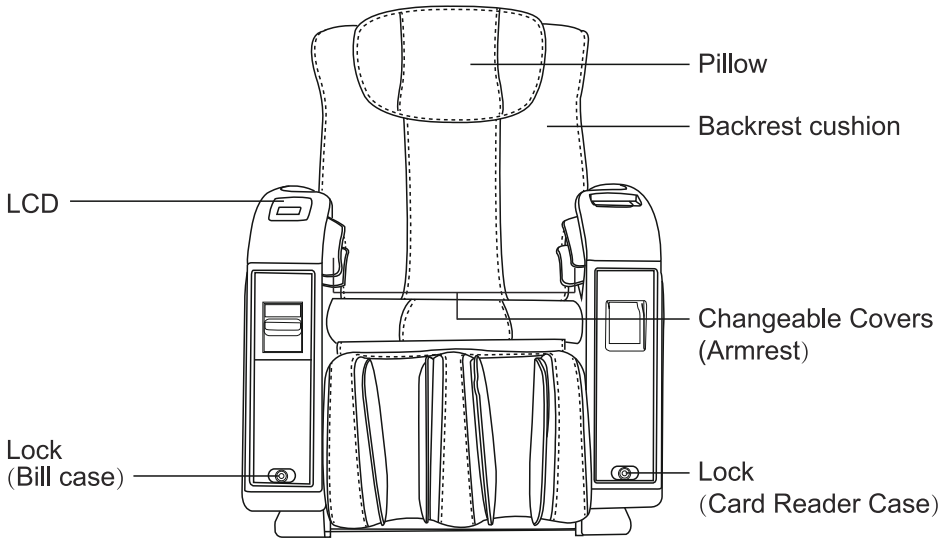
This unit has a grounding plug. Make sure that the product is connected to a power outlet with the same configuration as the plug.

Do not use an adapter with this unit and be sure the plug is firm insert on both ends.



---

## 03 Chair Components



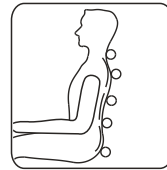
---

## 04 Product Function Features

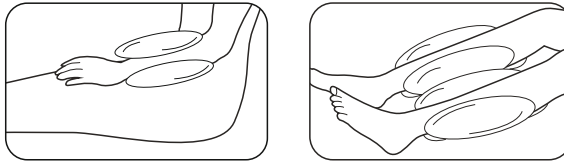
1. Automatic massage program combining six classical massage techniques: Kneading, Swedish, Tapping, Shiatsu, Clapping and Rolling.



2. Backrest ascending and descending structure can fit the body curve automatically with automatic detection of shoulder's height.



3. Air bag massage on the arms and calf.



4. Changeable covers on the air bags of armrest.

5. Alarm. When sat by person without inserting bill for over 30 seconds, the alarm will ring.

6. Bill acceptor in the right armrest panel. The cash box can hold the bill up to 500 pieces.

7. The degree of the backrest is fixed. The chair can be placed against the wall.

8. Debit or credit card reader can be optionally added so that customers can pay by card.



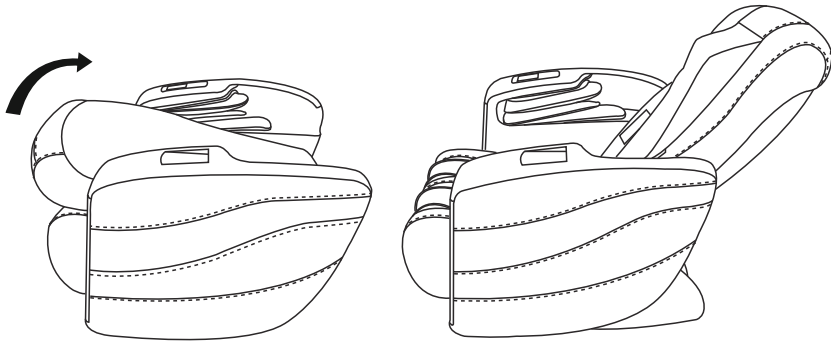
---

## 05 Installation Instructions

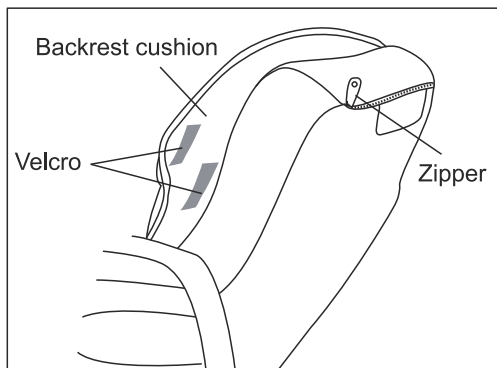
### Set up the chair

Step 1. Unpack the massage chair.

Step 2. Lift up the backrest, the backrest will be fixed while a locking sound shall be heard.



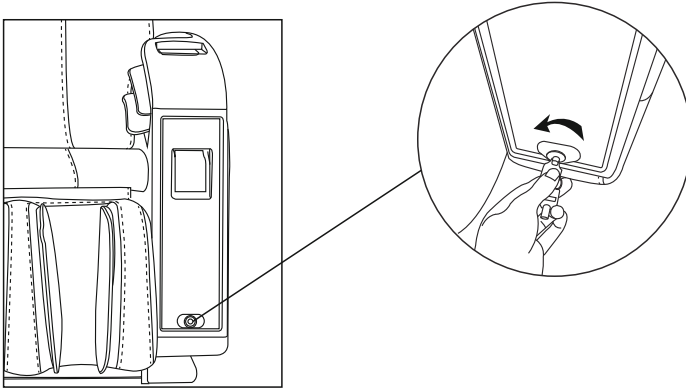
Step 3. Attach backrest cushion and pillow to the backrest with zipper and velcro.



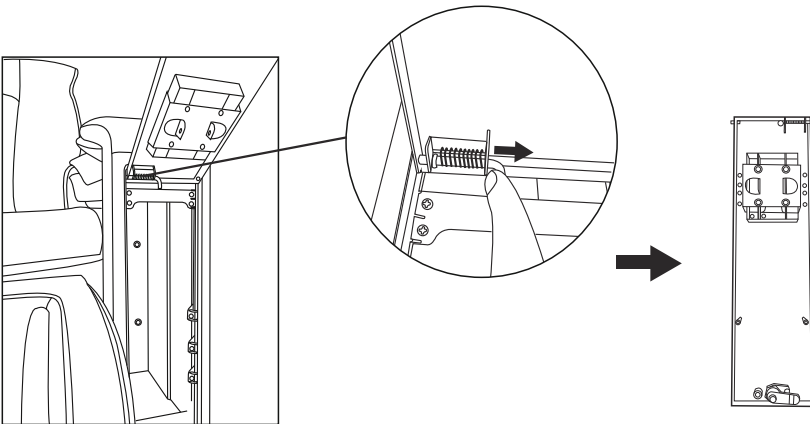
---

## Install the card reader (Optional)

Step 1. Unlock the lock on left side armrest panel by the key provided.

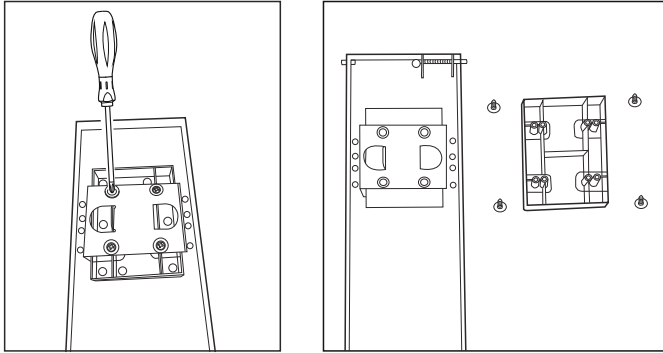


Step 2. Unbolt the bolt on the top of the panel inside. Take down the whole panel. Put it on the floor with the inside face up.



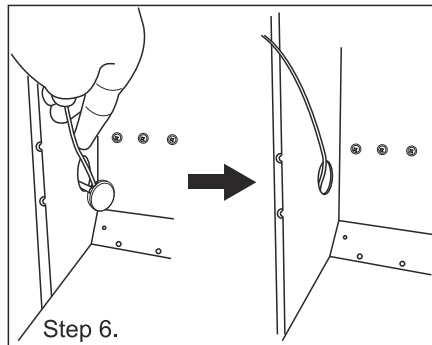
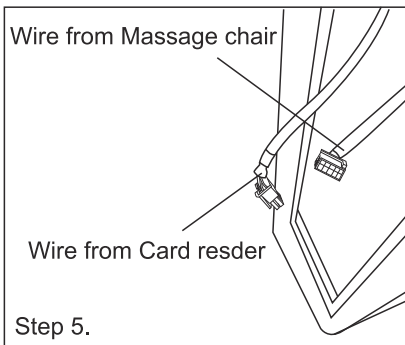
---

Step 3. Loosen the four screws as following pictures and take down the decorative plastic plate.



Step 4. Proceed in the reverse order of the step 3 to install the card reader.  
Step 5. Connect the wire from the card reader to the wire inside the armrest of the chair.

Step 6. Route the antenna through the hole in the card reader case of the armrest.  
Apply the magnetic mount to the outer of the armrest housing.



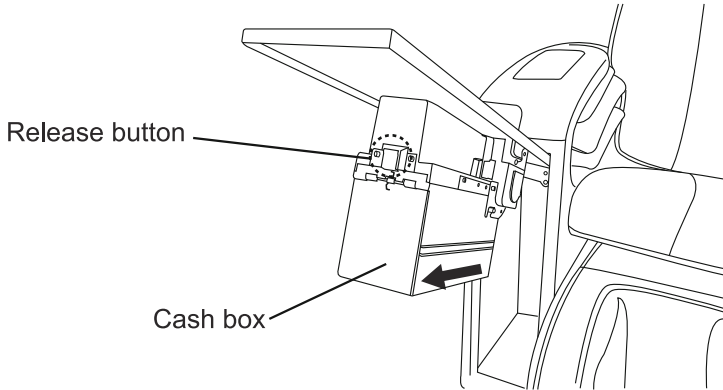
Step 7. Attach the panel back onto the armrest, insert the bolt on the top of it inside.  
Lock the lock by the key provided.

---

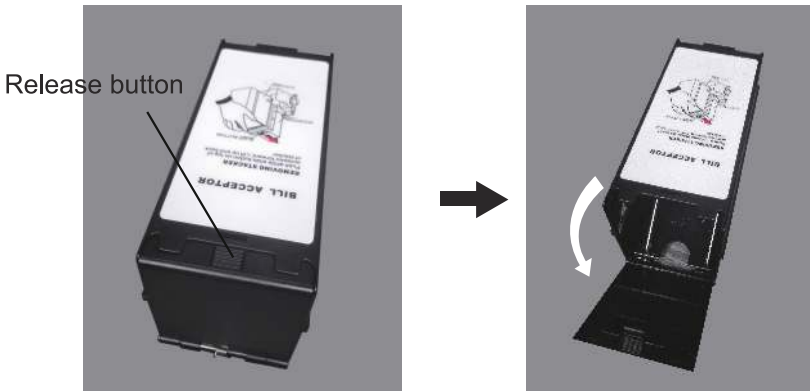
## Take out the cash

Step 1. Unlock the lock on the right side armrest by the key provided. Hold up the panel.

Step 2. Press the release button and pull the cash box. Take down the cash box.



Step 3. Press the release button of cash box to open it. Pull out the money.



Step 4. Proceed in the reverse order of the disassembly to install the cash box.

---

## 06 Operation Instructions

### Basic Instructions

1. Insert the plug into power supply, turn the switch to the "I" position.
2. Bill acceptor self-inspection. Colorful lights will flashing when the bill acceptor is working. Red light flashes when the bill acceptor malfunctions.
3. Insert dollar bill and the massage program will be started after about 10 seconds.
4. Chair will return to original position when the massage is finished.

### Controller

Note: Controller is in the bill acceptor case.



## Settings

SET	Press this button once to enter setup mode. Press again to exit setup mode.		
	Press this button to select modes from 01 to 04 when you are in setup mode.		
MODE	01	<b>Total amount quick inspection</b>	
		1. Select 01 mode by press "MODE". 01 will be showed on the LCD.	
		2. Press "OK" to check the cash amount. The number will be showed on the LCD.	
		3. Press "+"or"-" for 2 seconds to reset the total amount.	
		4. Press "SAVE" once to save the setting you did.	
	02	<b>Starting amount for massage</b>	
		1. Select 02 mode by press "MODE". 02 will be showed on the LCD.	
		2. Press "OK" to enter mode 02.	
		3. Press "+"or"-" to adjust the starting money amount you want.	
		4. Press "SAVE" once to save the setting you did.	
	03	<b>Message time for starting amount</b>	
		1. Select 03 mode by press "MODE". 03 will be showed on the LCD.	
		2. Press "OK" to enter mode 03.	
		3. Press "+"or"-" to adjust the massage time for starting amount you want.	
		4. Press "SAVE" once to save the setting you did.	
	04	<b>Message time for each one dollar after the starting amount</b>	
1. Select 04 mode by press "MODE". 04 will be showed on the LCD.			
2. Press "OK" to enter mode 04.			
3. Press "+"or"-" to adjust the massage time for following amount you want.			
	4. Press "SAVE" once to save the setting you did.		
OK	Press this button once to enter the mode you selected.		
SAVE	Press this button once to save the settings you did.		
+	Press these buttons to adjust the factors in mode 02 to 04.		
-	Press one of the buttons for 2 seconds to reset the total amount.		
NA1	Long press the button to automatic detection.		
NA2	Long press the button to manual detection.		

---

## 07 Specifications

Description	Specifications
Model No.	APEX-V1
Rated Voltage	110V~120V
Rated Frequency	50/60Hz
Rated Power Consumption	160W
Dimensions(L x W x H)	Chair: 63"x35.4"x43.3"
	Carton : 45.3"x37.4"x31.5"
Weight	Net Weight: 176 lbs
	Gross Weight: 207.2 lbs
Length of Wire	Power supply wire: 70.9"
Usage Condition	Environment temperature: 10°-40°
	Contrasting humidity: 30-85RH
Storage Condition	Storage temperature: 20°-60°
	Storage humidity: 30-85RH
Safety Feature	Equipped with overheated and power

---

## 08 Troubleshooting

This page summarizes the most common problems you could encounter with the product. If you are unable to solve the problem with the information below, contact service center immediately.

If the problem encountered is not listed, please try the following suggestions:

1. Turn off the product and unplug it.
2. Wait for 60 minutes.
3. Plug the product back to the recommended outlet and restart.
4. If the problem persists, contact the authorized service center.

Problem	Possible Cause	Suggestion
The product does not work	The product is not plugged in properly.	Ensure the voltage on the product corresponds to the local mains voltage and then plug in again. Make sure the outlet is properly working.
The product stopped working	The product has just finished its auto timer session and has automatically switched to standby mode.	If you want another session, press the Power button again.
The product stopped working	You may have used the product continuously for 45 minutes where the over heat protection has been activated.	Unplug the product and let it cool down for 60 minutes before you use it again.
The product does not work	An excessive load has been applied on the product.	Reduce the excessive load and start again.
The product is abnormally warm	The product is likely to be overused.	Unplug the product and let it cool down before using it again.
Noise can be heard from the	Noise is made by the mechanical parts of the	This is normal and does not mean that the product is faulty.

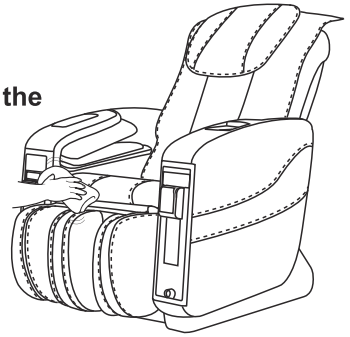


## 09 Cleaning and maintenance

### 1. Cleaning of the synthetic leather

Wipe the synthetic leather with a soft dry cloth.

- Do not clean the product with chemicals such as thinners, gasoline and alcohol.
- When using a leather maintenance product (cleaning cloth) sold on the market, follow its directions for use.
- If the synthetic leather is very dirty, wipe it with the method below.



- ① Put a piece of soft cloth into water or 3% to 5% neutral detergent contained hot water and wring it out.
- ② Wipe surface of the synthetic leather with the soft cloth.
- ③ Wipe the detergent with a piece of cloth once soaked in clean water and wrung out.
- ④ Wipe with a piece of wrung soft cloth.
- ⑤ Have the synthetic leather take natural air drying.



- If it is difficult to remove the stains on the synthetic leather, soak a piece of melamine foam bought from the market into a neutral detergent and use it wipe the product.
- Do not dry the surface by a hair drier.
- Surface of the synthetic leather may be dyed by fabric colors; therefore, be careful when wiping the product with denim or colored cloth.
- Synthetic leather may discolor, so the position in contact with the hair dye used should be covered by a towel.

---

## 2. Cleaning of the plastic parts

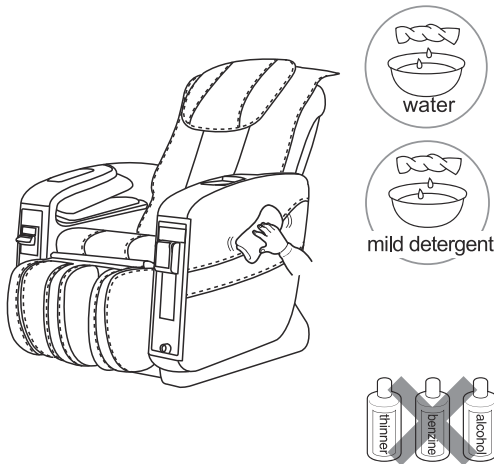
1) Put a piece of soft cloth into water or neutral detergent contained hot water, wring it out and wipe the plastic parts.

- Do not clean the product with chemicals such as thinners, gasoline and alcohol.

2) Wipe with a piece of cloth once soaked in clean water and wrung out.

- Wring the cloth out before using it to wipe the remote controller.

3) Have the plastic parts take natural air drying.

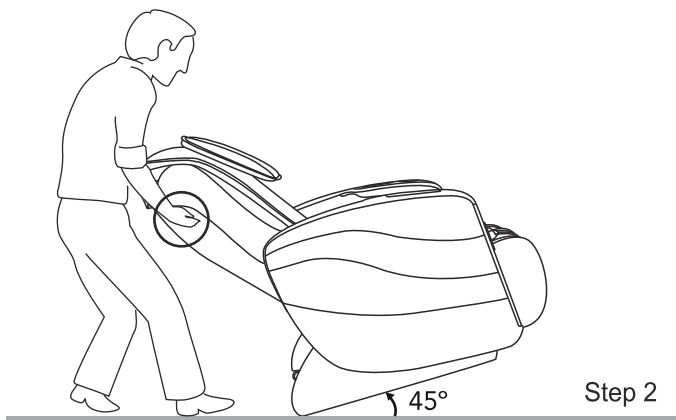
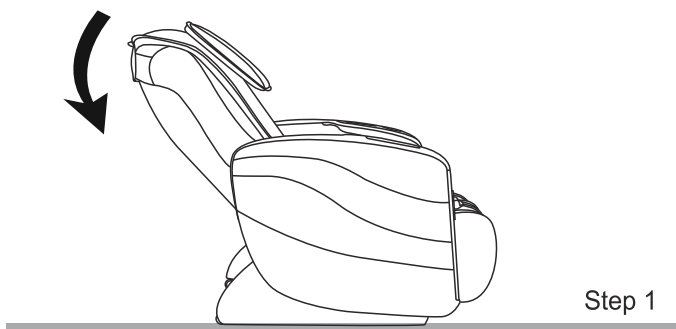


---

## 10 Moving The Chair

1. Restore the chair, turn the switch to the “O” position, remove the plug.
2. Use your hands to press the top of the backrest, recline it to 45°. Move the chair using the wheels.

**NOTE:** Make sure the plug is removed.  
Do not move the chair while a person is seated on it.  
Put a mat on the floor and gently roll the chair over it to avoid damaging the floor.



Publish:2016.12  
V1.0