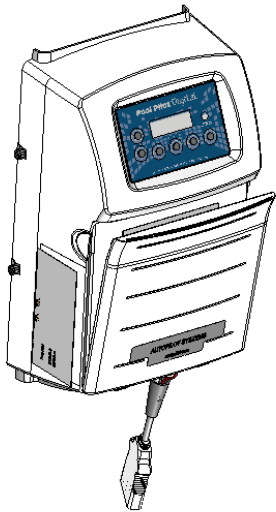
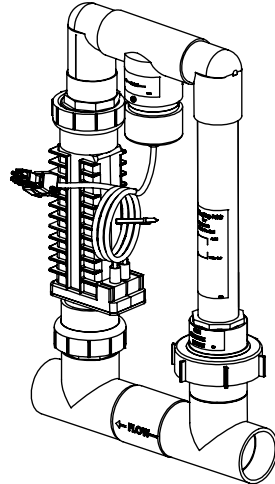


DIG-220

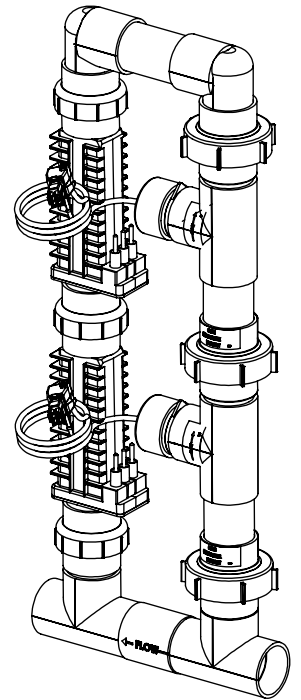
Digital



DIG-220



Single System Manifold



Dual System Manifold

Power Supply

PART #	DESCRIPTION
DIG-220	Digital Power Supply Eng, Esp, Fra, Ita Languages
DIG-220CE	Digital Power Supply CE Version Eng, Esp, Fra, Ita Languages
DIG-220CE-GERMAN	Digital Power Supply Ger, Eng, Esp, Fra, Ita Languages

Single System Manifold Types

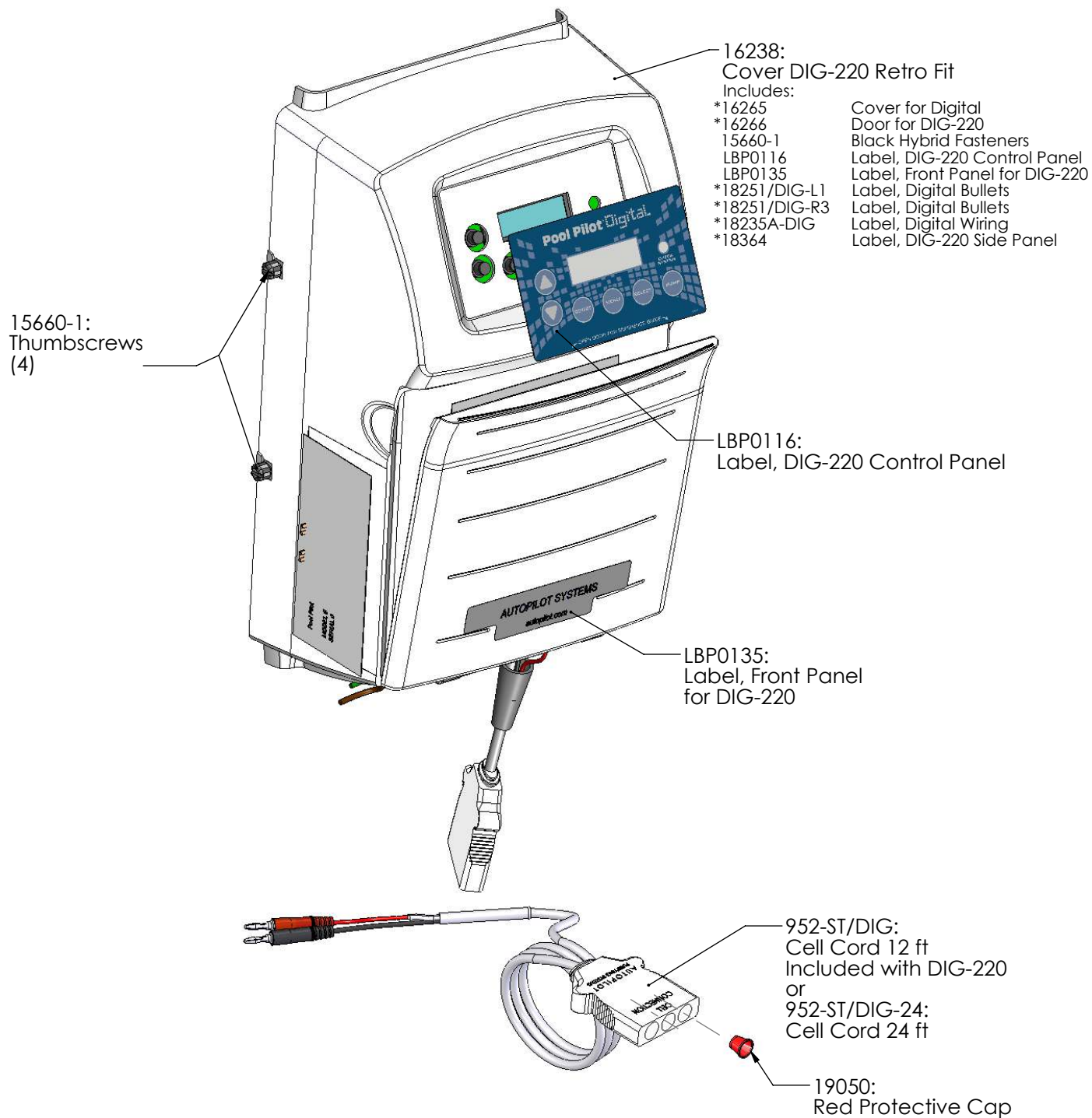
PART #	DESCRIPTION	PAGE #
94105	Manifold Assy with RC35/22 Cell	5
94107	Manifold Assy with RC42 Cell	5
94113	Manifold Assy with RC52 Cell	5
94115C	Manifold Assy with CC15-FF Cell	5
94105M	Manifold Assy with RC35/22 Cell and Metric Adapters	5
94107M	Manifold Assy with RC42 Cell and Metric Adapters	5
94113M	Manifold Assy with RC52 Cell and Metric Adapters	5
94115CM	Manifold Assy with CC15 Cell and Metric Adapters	5
APK0006	Spacer Cell for Maintenance	9

Dual System Manifold Types

PART #	DESCRIPTION	PAGE #
941-215C-A	Manifold Commercial	6
938-SC	Spacer Cell	9

Digital

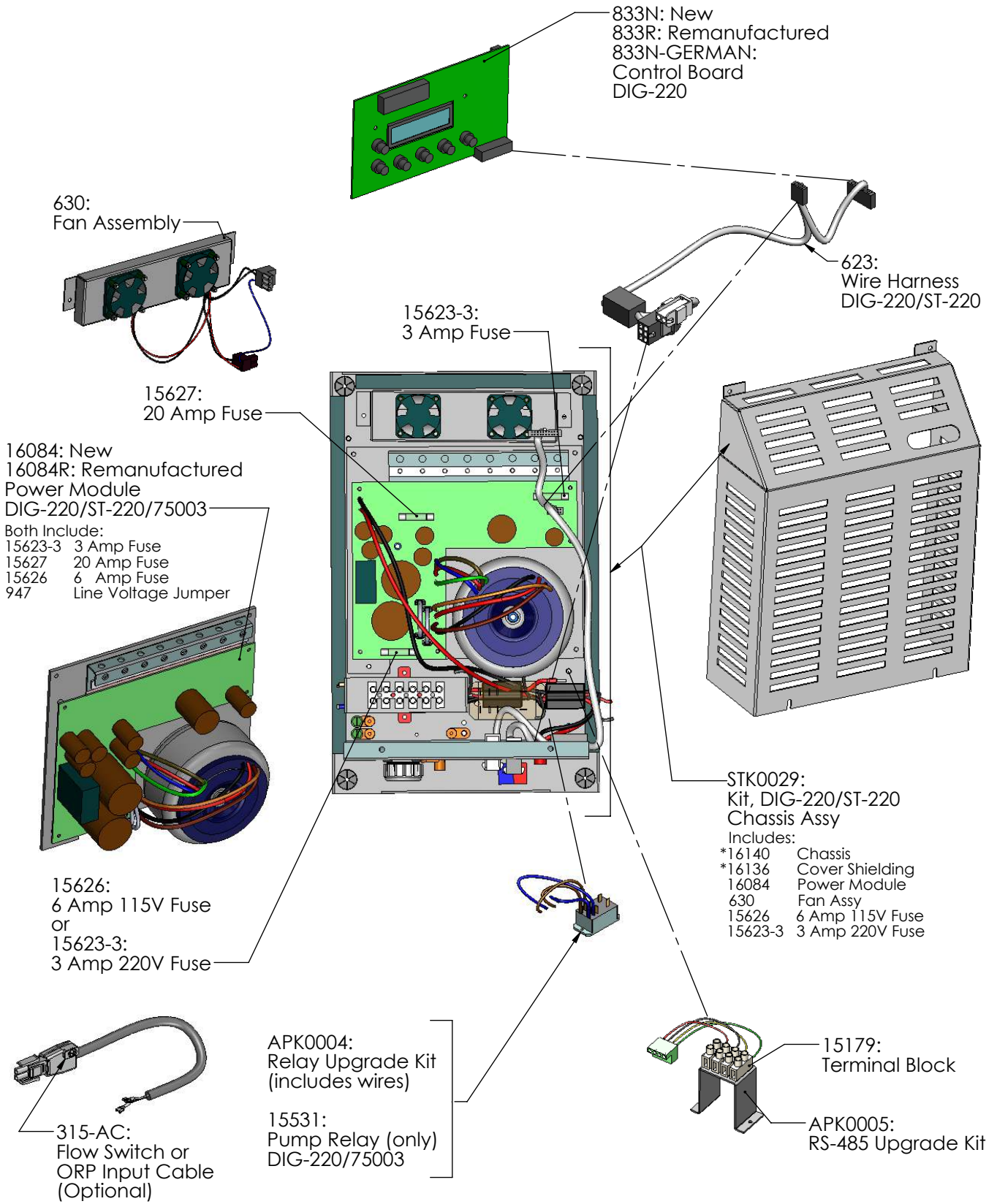
DIG-220 Power Supply Parts



*Cannot be ordered separately

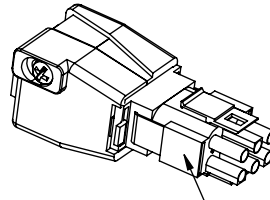
DIG-220 Power Supply Parts

Digital

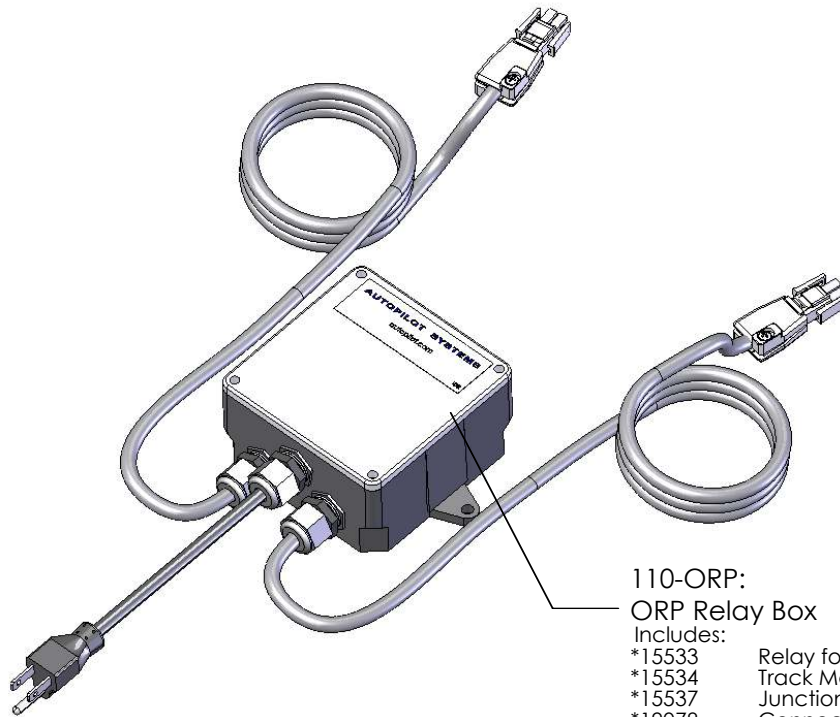


*Cannot be ordered separately

POWER SUPPLY ACCESSORIES



986-ST:
Tri-Sensor Simulator
(Simulates APA0003)



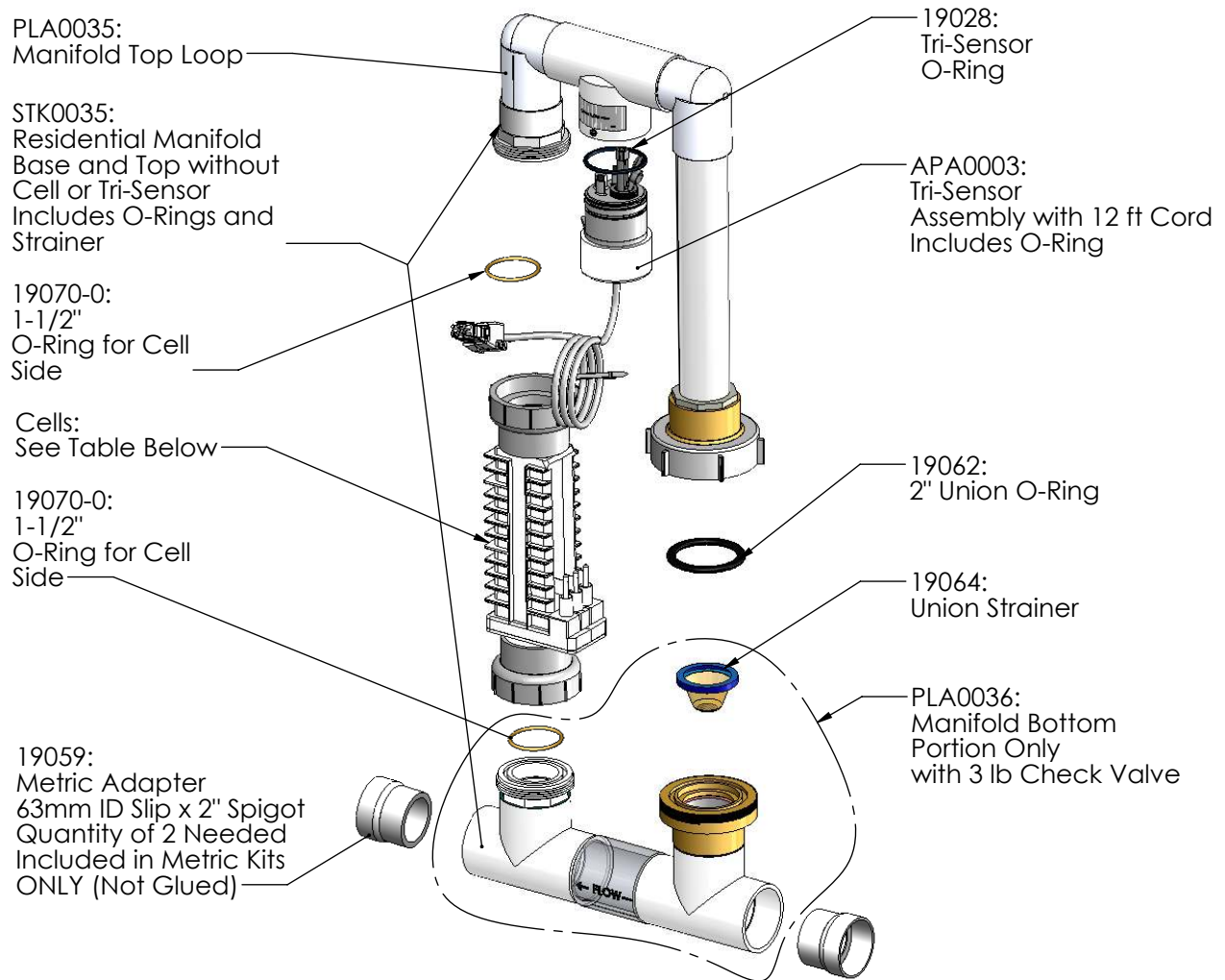
110-ORP:
ORP Relay Box

- Includes:
- *15533 Relay for ORP
 - *15534 Track Mount Socket
 - *15537 Junction Box 4x4x2
 - *19078 Connector Cable Clamp
 - *19078N Nut for Cable Clamp
 - *ECA0085 Flow Switch Cable Assy (12 ft),2X
 - *17220 Cord 110V #16 AWG (6 ft)
 - *15402-1 Screw(s) #6-32 x 1/4 PPMS S
 - *ECP0069 Cable Clamp

*Cannot be ordered separately

SINGLE SYSTEM MANIFOLDS

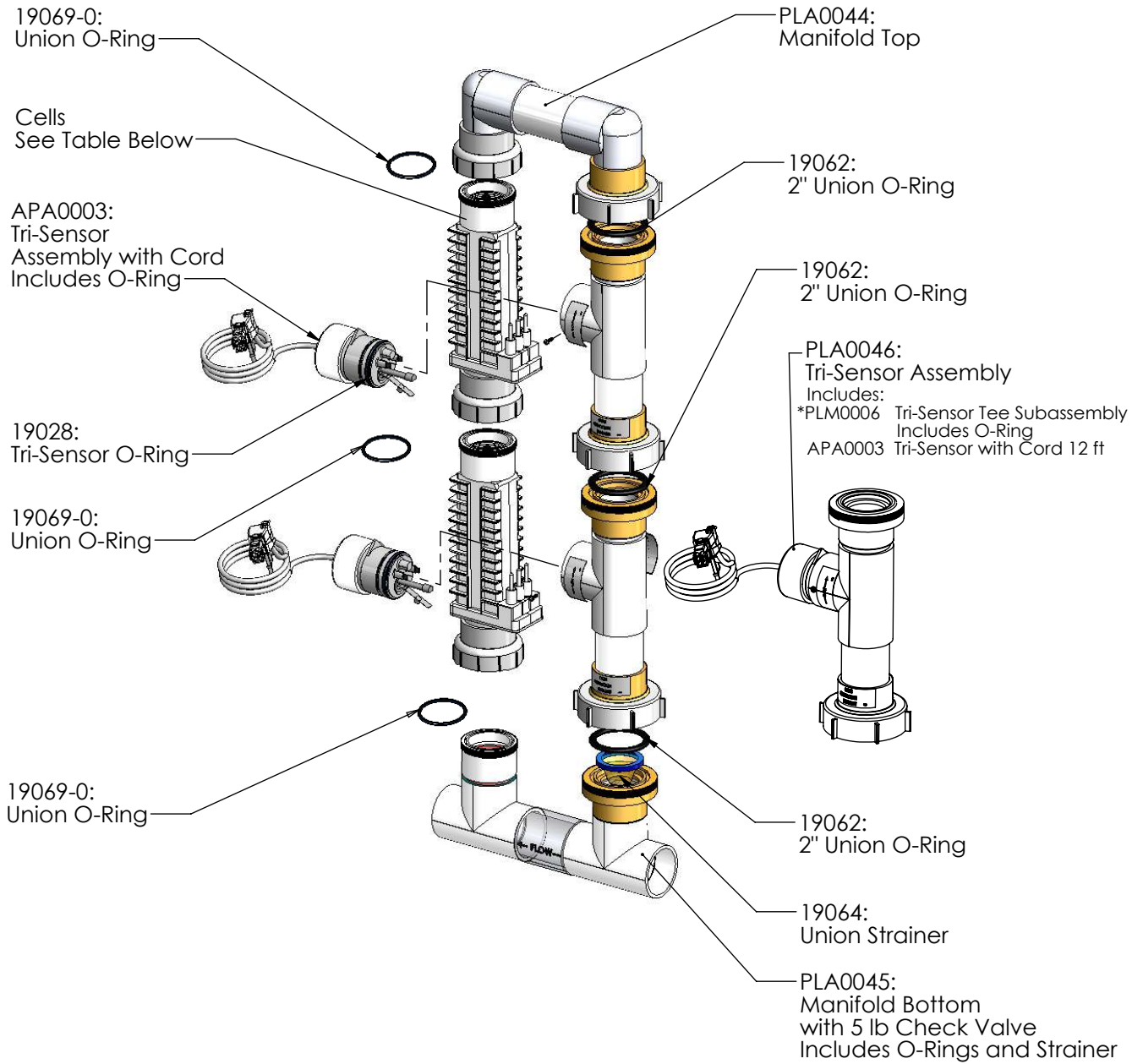
Digital



PART #	DESCRIPTION	PAGE
94105	Manifold Assy with RC35/22 Cell	7
94107	Manifold Assy with RC42 Cell	7
94113	Manifold Assy with RC52 Cell	7
94115C	Manifold Assy with CC15-FF Cell	7
94105M	Manifold Assy with RC35/22 Cell and Metric Adapters	7
94107M	Manifold Assy with RC42 Cell and Metric Adapters	7
94113M	Manifold Assy with RC52 Cell and Metric Adapters	7
94115CM	Manifold Assy with CC15 Cell and Metric Adapters	7
APK0006	Spacer Cell for Maintenance	9

MULTIPLE SYSTEM MANIFOLD

For Use with Dual Power Supply Systems



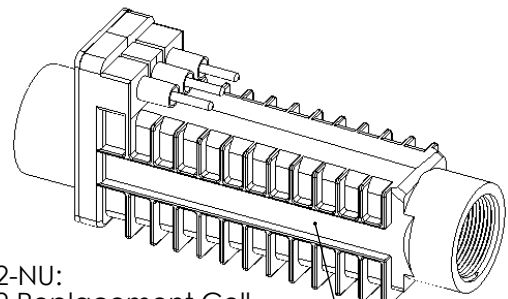
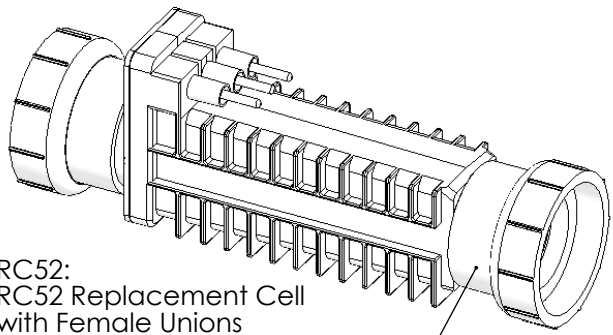
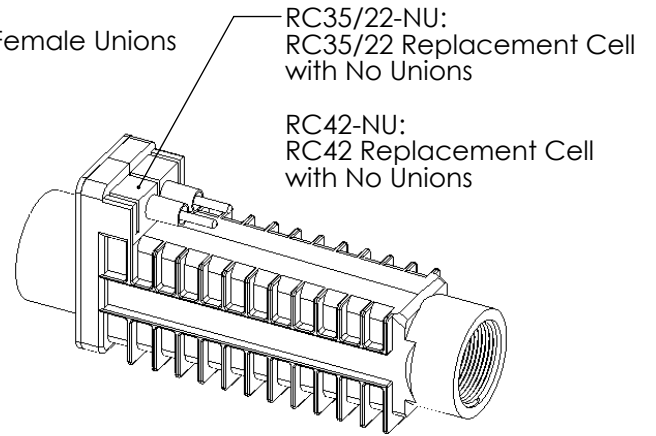
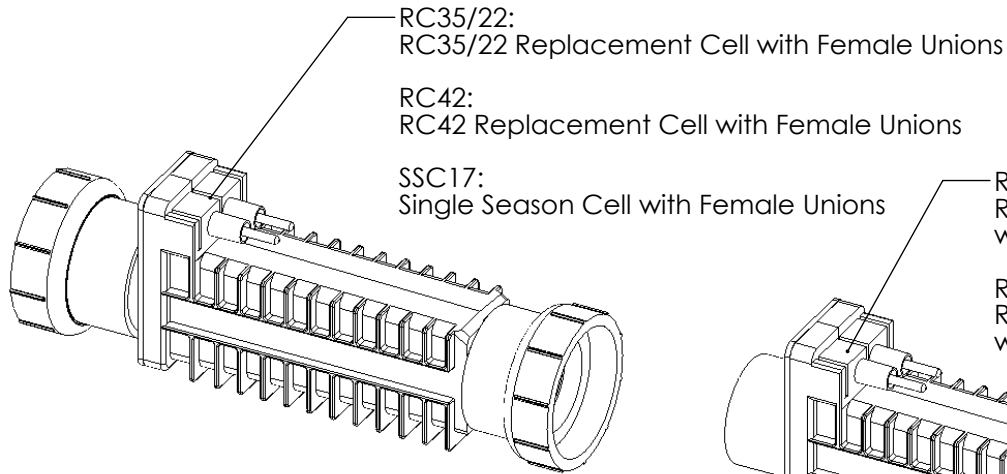
Part #	DESCRIPTION	PAGE #
941-215C-A	Manifold Commercial with 2 CC15-MF Cells	7
ALL	Spacer Cell for Maintenance	9

To convert from dual to triple system, add PLA0046, CC15-MF and Power Supply of choice, ST-220/DIG-220/75003, typically ST-220 is used.

*Cannot be ordered separately

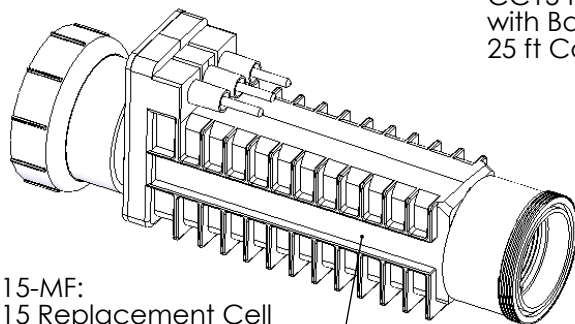
CELL OPTIONS

Digital

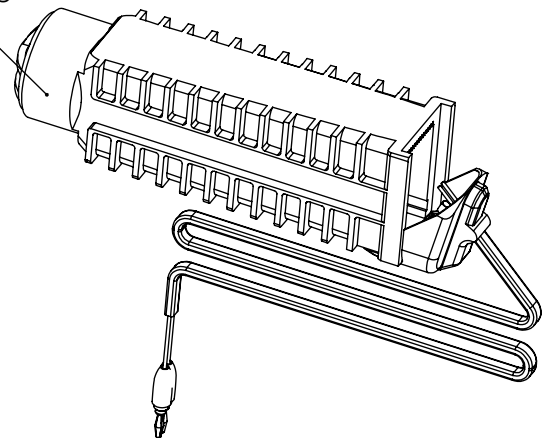


CC15-FF:
CC15 Replacement Cell with Female Unions (Commercial) for Single Cell Manifold

CC15-NU:
CC15 Replacement Cell with No Unions (Commercial)

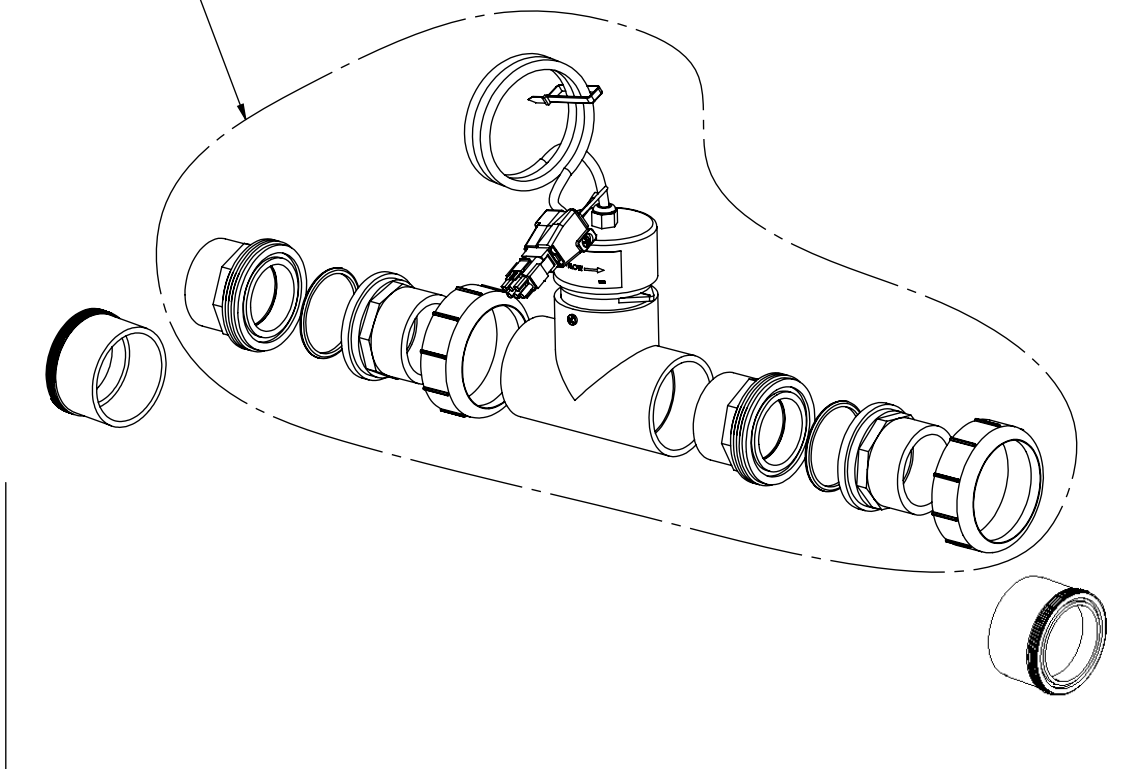


CC15-BP-CC25:
CC15 Replacement Cell Convection with Banana Plugs 25 ft Cord



MANIFOLD ACCESSORIES/TOOLS

- APK0038:
Tri-Sensor Assy for Convection Cell Applications
Includes:
19009 2" T Slip x Slip x Slip
312-A Union Nut
312-F 2" Spigot/1.5" Slip X Female Union
312-C Union Half, 1.5" Slip/2" Spigot x Male Thread Union
*15405 HDW Screw #6x1/2 PPSMS SS
APA0003 Tri-Sensor with Cord Assy 12 ft

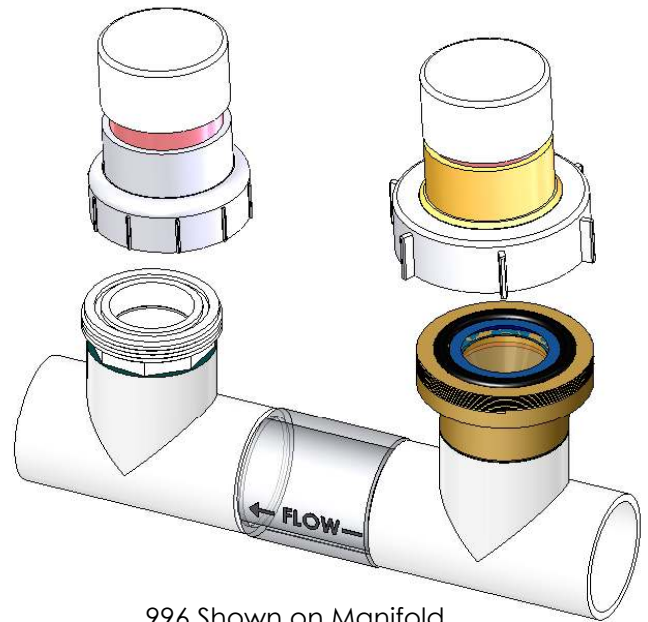
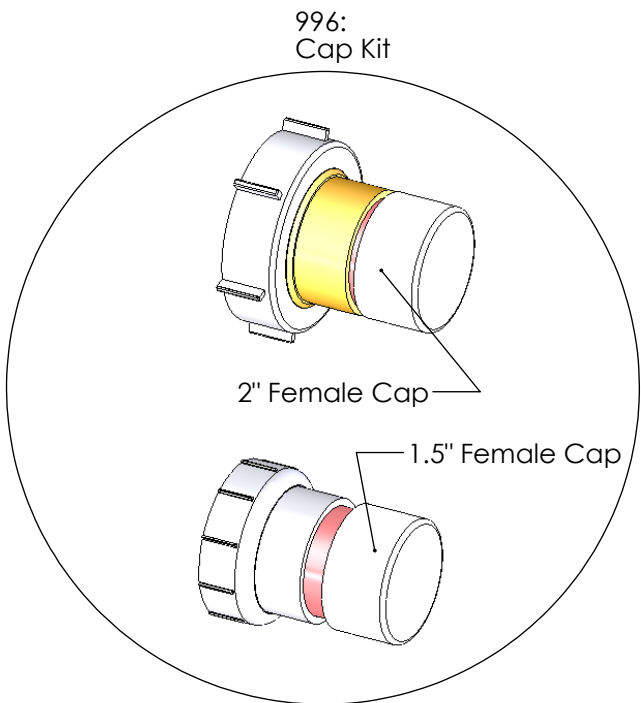
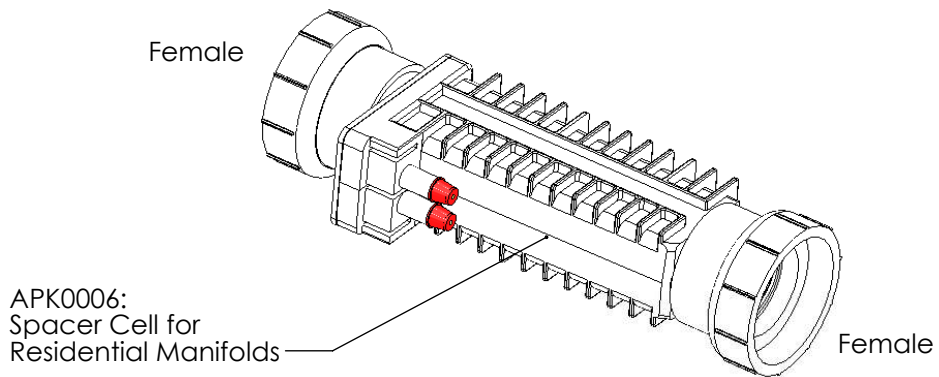
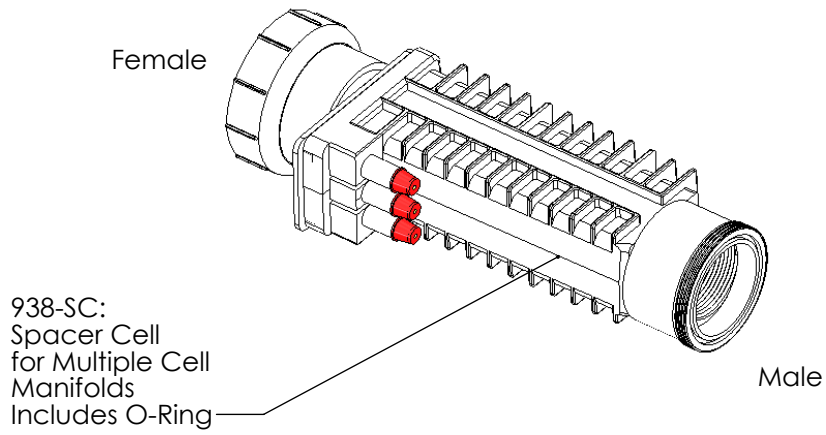


- APA0065:
Inline Conversion Kit
Same as APK0038 Kit Above but with Additional Two 312-D
Union Halves, 2 S x MT Union

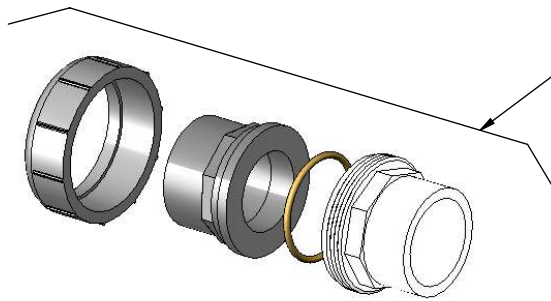
*Cannot be ordered separately

MANIFOLD ACCESSORIES/TOOLS

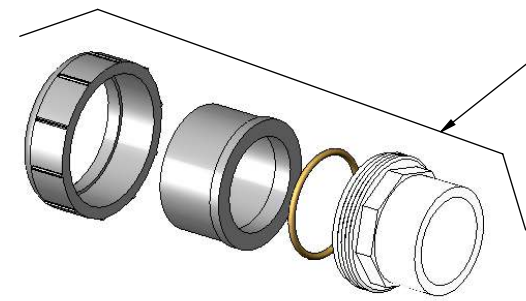
Digital



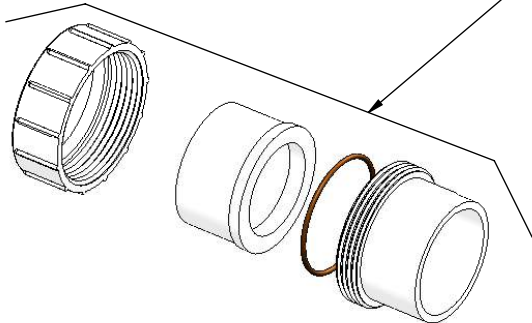
MANIFOLD ACCESSORIES/TOOLS



19073:
Union Kit
Includes:
312-A Union Nut
312-F Union Half, 2" Spigot/1.5" Slip X Female Union
19070-0 1-1/2" O-Ring
312-C Union Half, 1.5" Slip/2" Spigot x Male Thread Union



19070:
Union Kit
Includes:
312-A Union Nut
312-B Union Half, 2" Slip x Female Union
19070-0 1-1/2" O-Ring
312-C Union Half, 1.5" Slip/2" Spigot x Male Thread Union

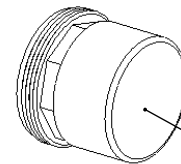


PLS2627:
Union Kit
Includes:
312-A Union Nut
312-B Union Half, 2" Slip x Female Union
312-D Union Half, 2" Slip x Male Thread Union
(with O-Ring 19069-0)

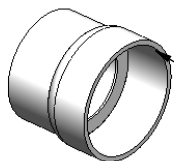
or
PLS0001:
Union Kit-Pack of 10 PLS2627



STK0048:
Cracked Union Nut
Service Kit



PLA0113:
Cell Cleaning
Kit (Male)



19059:
Metric Adapter
63mm ID Slip x 2" Spigot
Quantity of 2 Needed
Included in Metric Kits
ONLY (Not Glued)