

KAMADOJOE JOE JR



Shown: Joe Jr Red

KAMADOJOE JOE JR

GRILL COMPONENTS & SPECIFICATIONS



Also Available in Black



High-Density Polyethylene Handle



High-Fire, Heat-Resistant Ceramic



304 Stainless Steel Grill Grate with Hinged Opening for Adding Charcoal



Full-Size Heat Deflector for Smoking, Cooking with Indirect Heat



Powder-Coated, Galvanized Iron Hinge

KAMADO JOE JOE JR SPECIFICATIONS

| | | |
|---------------------------------|--------------------------------------|---|
| Dimensions | 16" wide x 22" high x 20.75" deep | 40,6cm wide x 55,8cm high x 52,7cm deep |
| Dimensions w/Stand | 19.75" wide x 27" high x 20.75" deep | 50,1cm wide x 68,5cm high x 52,7cm deep |
| Cooking Surface | 13.5" diameter/148.5 sq in | 34,2cm diameter/377,1 sq cm |
| Weight | 68 pounds | 30,8 kilograms |
| Heat Range | 225°F – 750°F+ | 82°C – 399°C |

| Materials | | | |
|-----------------------------------|-----------------------------------|-------------------------|----------------------------------|
| Base/Lid | High-Fire Heat-Resistant Ceramics | Handle | High-Density Polyethylene (HDPE) |
| Coating on Ceramic | Ceramic Glaze | Hinge | Powder-Coated Galvanized Iron |
| Fire Grate/ Top Vent | Powder-Coated Cast Iron | Draft Door | 304 Stainless Steel |
| Grill Grate | 304 Stainless Steel | Stand | Powder-Coated Cast Iron |
| Fire Box/Ring | High-Fire Heat-Resistant Ceramics | | |

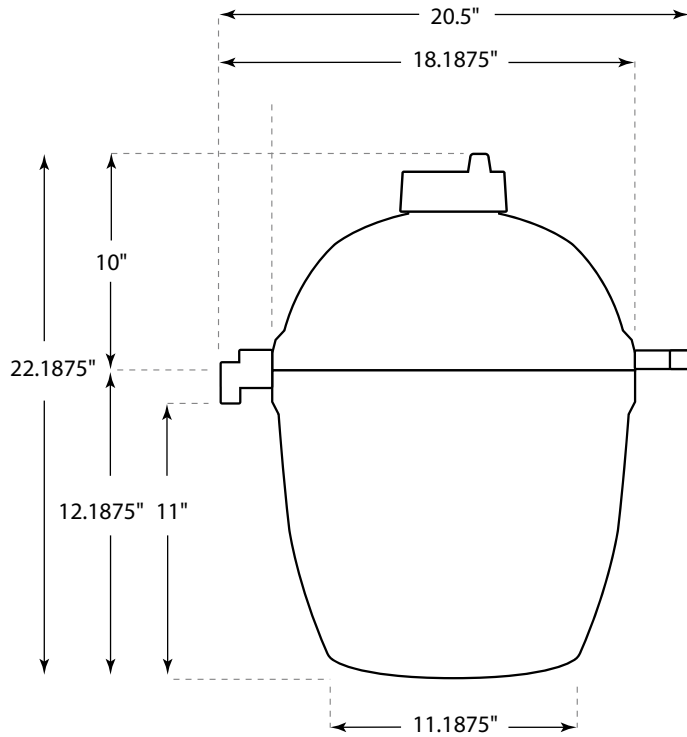
KAMADOJOE JOE JR

DIMENSIONS & INSTALLATION GUIDE

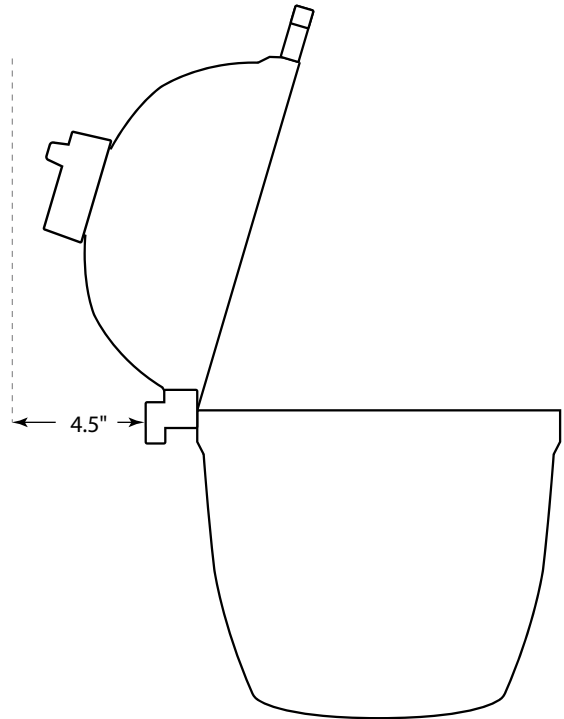
Important Dimension Notes

Please use this as a general guide for installing a Joe Jr ceramic grill in a built-in outdoor kitchen or grill table. **We highly recommend that the actual grill being installed be measured.**

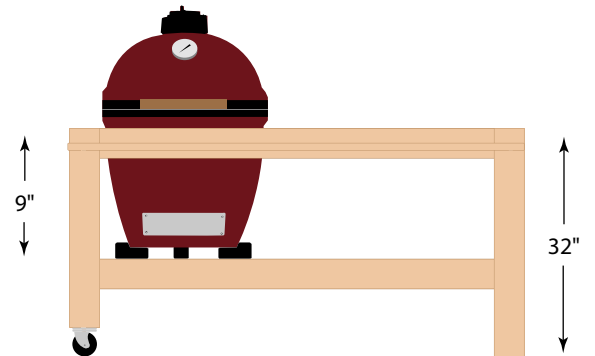
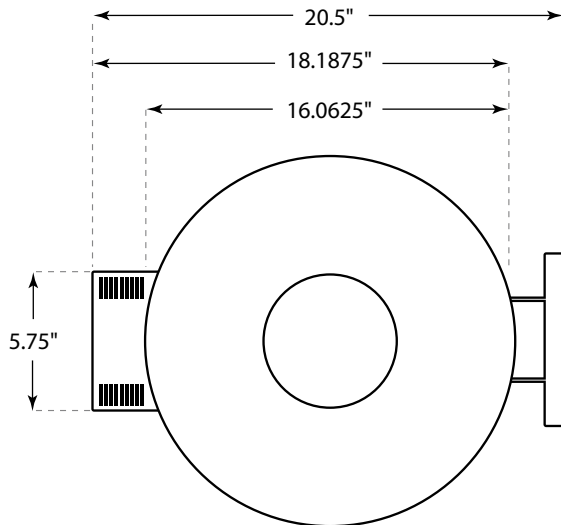
Joe Jr Side View



Joe Jr Open Clearance



Joe Jr Top View



The 1" ceramic feet are included in the height.

